



Premium wheel-end brake products

Bendix® Standard Service Brakes, Extended Service Brakes & Reduced Envelope Brakes

Illustrated Parts List

Introduction

About this Parts Book	2
Abbreviations	2
Genuine Bendix Parts.....	2
Ordering Bendix Parts.....	2
How to use this parts book	2
Bendix Kits.....	2
Trademark Notice	2

Specifications

Bendix Specifications.....	3
Model Identification	3

Brake Assembly

15" Standard and Extended Service

EB-150-4L & ES-150-4L	4
ES-150-4D	6

15" Reduced Envelope Brakes

ES-150-6D	8
ES-150-8D (Drive Axle) & ES-150-8F (Trailer Axle) Reduced Envelope Brake	10

16.5" Standard Brakes

EB-165-5D, EB-165-5L, EB-165-6D, EB-165-6L, EB-165-7D, EB-165-7L, EB-165-8D, EB-165-8F	12
--	----

16.5" Extended Service Brakes

ES-165-5D, ES-165-5L, ES-165-6D, ES-165-6L, ES-165-7D, ES-165-7L, ES-165-8D, ES-165-8F	14
ES-165-7M (Heavy Duty) & ES-165-7H (Severe Duty)	16

18" Standard Brakes

EB-180-7R	18
-----------------	----

Brake Shoe

Brake Shoe and Lining Chart	20
-----------------------------------	----

Brake Springs

Brake Springs Reference Chart	23
Spring Service Kits.....	23

Camshafts

15"

EB-150-4L & ES-150-4L	24
ES-150-4D	25

16.5" & 18"

EB-165, ES-165, ES-150-8D & EB-180	27
--	----

Air Chamber Mounting Brackets

15" x 4"

EB-150-4L & ES-150-4L	30
ES-150-4D	33

15" x 6"

ES-150-6D	35
-----------------	----

15" x 8"

ES-150-8D	56
-----------------	----

16.5" w/Stamped Spider

EB-165 & ES-165	37
-----------------------	----

16.5" w/Cast Spider

EB-165-5D, 6D, 7D, 8D, 8F, ES-165-5D, 6D, 7D, 8D & 8F	58
--	----

16.5" x 7"

ES-165-7M & ES-165-7H	81
-----------------------------	----

18" x 7"

EB-180-7R (Standard Brakes)	88
-----------------------------------	----

Spider & Pin Assembly

Stamped 15" x 4"

EB-150-4L & ES-150-4L	91
-----------------------------	----

Cast 15" x 6"

ES-150-6D	94
-----------------	----

Cast 15" x 8"

ES-150-8D	95
-----------------	----

Stamped 16.5"

EB-165 & ES-165	96
-----------------------	----

Cast 16.5"

EB-165, ES-165 & ES-150-4D	101
----------------------------------	-----

Brake Spider & Dual Anchor Pin Assembly

ES-165-7M & ES-165-7H	103
-----------------------------	-----

Spider & Pin Assembly 18" - Standard Brakes

EB-180	104
--------------	-----

Dustshields

15" w/Stamped Steel Spider

EB-150 & ES-150	105
-----------------------	-----

16.5" w/Stamped Steel Spider

EB-165 & ES-165	106
-----------------------	-----

16.5" w/Cast Spider

EB-165 & ES-165	107
-----------------------	-----

Bendix Spicer Foundation Brake LLC presents this Parts Book as an aid in the identification and procurement of replacement parts for Bendix Brakes. The information included covers the parts which are most commonly used.

Exploded views are used to illustrate the parts and show their relationship to other parts on the brake. Each part is identified by an item number, which in turn, leads to a list containing part name and part number.

For convenience, part numbers have been included for all pieces of the brake assembly. (However, some of these parts are serviced only in kits or assemblies.) Part numbers are for your reference only. Those parts not serviced separately are identified with NSS.

Abbreviations

AR-As Required: Parts that vary in quantity with each brake.

NSS-Not Serviced Separately: Items which can only be purchased in sets, kit form, or service assemblies.

Genuine Bendix® Parts

When you buy genuine Bendix replacement parts, you receive the same high quality and exacting tolerances you find in the original brake components.

Only genuine Bendix brand parts have the latest Bendix engineering improvements and assure equal or better performance than the original parts.

And Bendix backs you up with a responsive and capable service organization located strategically to provide you with emergency parts and service when you need them.

Insist on Bendix quality. Use genuine Bendix replacement parts.

Ordering Bendix Parts

Place all your parts orders through your truck dealer or manufacturer (OEM).

How to use this Parts Book

1. Models covered in this publication are listed on the opposite page.
2. For ease of service, Bendix recommends the use of kits.
3. Individual parts have been grouped by category, i.e., camshafts, brackets, spiders, etc.
4. Whether you are using kits or individual parts, the model serviced is prominently identified in each grouping.

Bendix Kits

Bendix Parts Kits give you an economical, convenient way to stock Bendix replacement parts. They contain all the parts you need to do a complete, professional job of overhauling or repairing your Bendix brake. And you have only one part number in one easily stored package to order, stock, identify and satisfy your customers' needs.

Trademark Notice

BENDIX is a registered trademark of Honeywell International and is used by Bendix Spicer Foundation Brake LLC under license.

Steer Axle, Drive Axle and Trailer Axle Brake Specifications

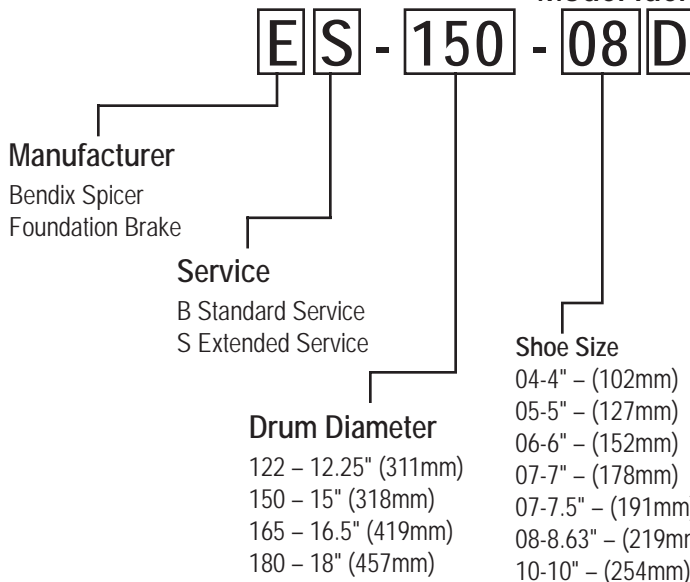
GAW Range lbs.	kgs.	Model	Size		Service		Configuration		Anchor	Applications
			in.	mm.	Std.	Ext.	Shoe	Spider		
10,800/13,200	4,899/5,987	EB-150-4L	15.0 x 4	381 x 102	X		Fabricated	Fabricated	SAP	Steer Axles
		ES-150-4L	15.0 x 4	381 x 102		X	Fabricated	Fabricated	SAP	Steer Axles
		ES-150-4D	15.0 x 4	381 x 102		X	Fabricated	Cast	SAP	Steer Axles
15,000/20,000	6,803/9,070	ES-150-8D	15.0 x 8.63	381 x 219		X	Fabricated	Cast	SAP	Drive Axles
		ES-165-5D	16.5 x 5	419 x 127		X	Fabricated	Cast	SAP	Drive Axles
12,000/14,600	5,443/6,622	ES-150-6D	15.0 x 6	381 x 152		X	Fabricated	Cast	SAP	Steer Axles
		EB-165-5D	16.5 x 5	419 x 127	X		Fabricated	Cast	SAP	Steer Axles
		ES-165-5D	16.5 x 6	419 x 127		X	Fabricated	Cast	SAP	Steer Axles
		EB-165-5L	16.5 x 5	419 x 127	X		Fabricated	Fabricated	SAP	Steer Axles
16,000/20,000	7,258/9,072	EB-165-6L	16.5 x 6	419 x 152	X		Fabricated	Fabricated	SAP	Drive Axles, Steer Axles
		ES-165-6L	16.5 x 6	419 x 152		X	Fabricated	Fabricated	SAP	Drive Axles, Steer Axles
16,000/22,000	7,258/9,979	EB-165-6D	16.5 x 6	419 x 152	X		Fabricated	Cast	SAP	Drive Axles, Steer Axles
		ES-165-6D	16.5 x 6	419 x 152		X	Fabricated	Cast	SAP	Drive Axles, Steer Axles
17,000/23,000	7,711/10,433	EB-165-7D	16.5 x 7	419 x 178	X		Fabricated	Cast	SAP	Drive Axles
		ES-165-7D	16.5 x 7	419 x 178		X	Fabricated	Cast	SAP	Drive Axles
		EB-165-7F	16.5 x 7	419 x 178	X		Fabricated	Forged	SAP	Trailer Axles
		ES-165-7F	16.5 x 7	419 x 178		X	Fabricated	Forged	SAP	Trailer Axles
		EB-165-7L	16.5 x 7	419 x 178	X		Fabricated	Fabricated	SAP	Drive Axles
		ES-165-7L	16.5 x 7	419 x 178		X	Fabricated	Fabricated	SAP	Drive Axles
		EB-165-8D	16.5 x 8.63	419 x 219	X		Fabricated	Cast	SAP	Drive Axles
		ES-165-8D	16.5 x 8.63	419 x 219		X	Fabricated	Cast	SAP	Drive Axles
		EB-165-8F	16.5 x 8.63	419 x 219	X		Fabricated	Forged	SAP	Trailer Axles
		ES-165-8F	16.5 x 8.63	419 x 219		X	Fabricated	Forged	SAP	Trailer Axles
23,000/26,000	10,433/11,793	ES-165-7M	16.5 x 7	419 x 178		X	Fabricated	Heavy Cast	DAP	On/Off Hwy Drive Axles
26,000/30,000	11,793/13,608	ES-165-7H	16.5 x 7	419 x 178		X	Cast	Heavy Cast	DAP	On/Off Hwy Drive Axles
26,000/32,500	11,793/14,742	EB-180-7R	18.0 x 7	457 x 178	X		Cast	Heavy Cast	SAP	On/Off Hwy Drive Axles

Note: Specific applications require Bendix Engineering approval.

Note: SAP = Single Anchor Pin

DAP = Double Anchor Pin

Model Identification

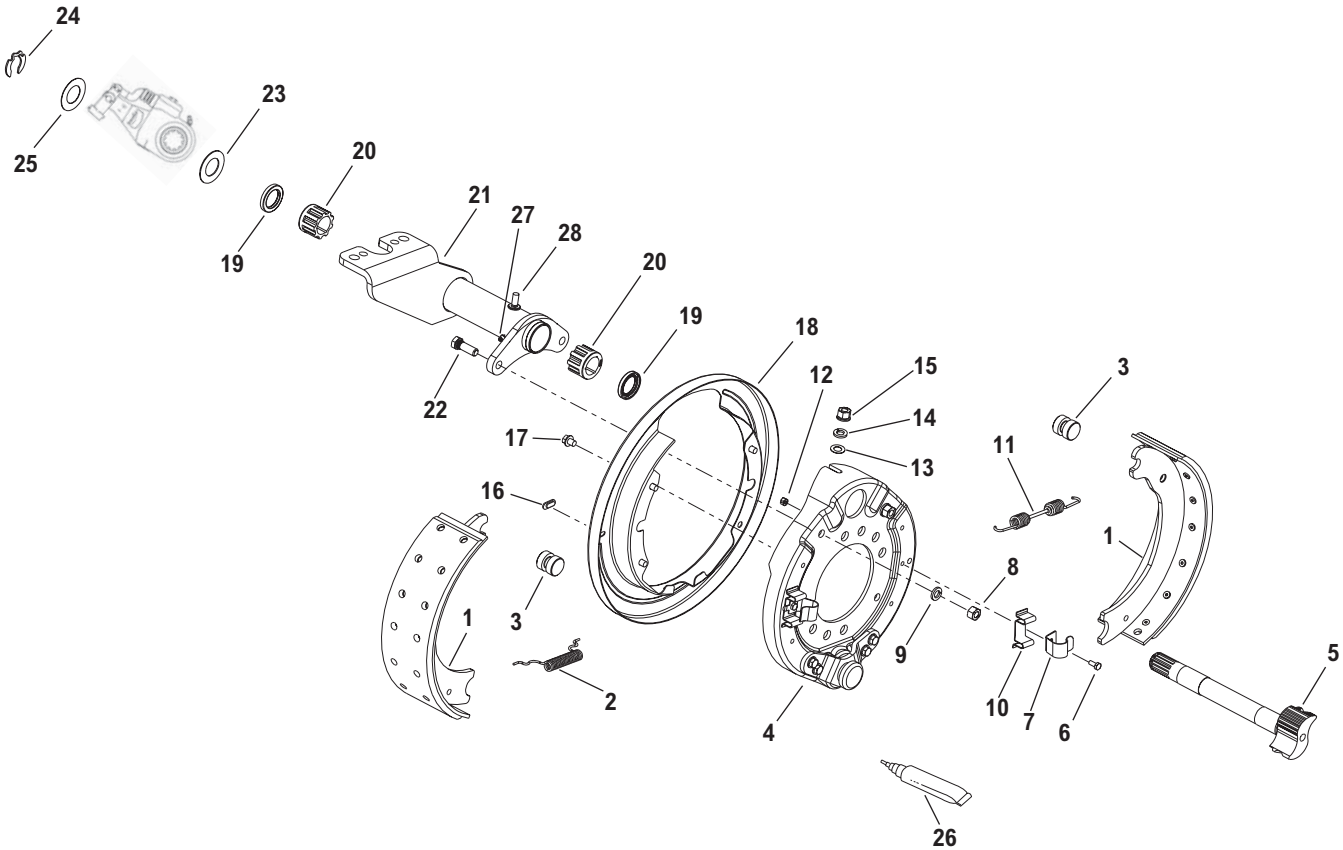


Configurations

- A – Fab Shoe Weld On Spider Self Contained Cam Bracket SAP
- B – Fab Shoe Weld On Spider Self Contained Cam Bracket DAP
- D – Fabricated Shoe/Cast Spider SAP
- F – Fabricated Shoe Weld On Spider SAP (Non Self Contained)
- H – Cast Shoe/Heavy Cast Spider DAP
- L – Fabricated Shoe/Fabricated Spider SAP
- M – Fabricated Shoe/Cast Spider (DAP Closed A/P)
- P – Fabricated Shoe/Cast Spider (DAP Closed A/P)
- R – Cast Shoe/Heavy Cast Spider SAP
- S – Reinforced Fabricated Shoe/Heavy Cast Spider (SAP)
- T – Fabricated Shoe/Weld On Spider DAP (Non Self Contained)

Brake Assembly 15" – Standard and Extended Service Brakes (pages 4–5)

For Models: EB-150-4L & ES-150-4L



Brake Kits

Brake Spring Kit	807172	Incls: Items 2 & 11	Services 1 brake assy
Camshaft Bushing Kit	1008325	Incls: Items 19-20, 23-25	Services 2 brake assys
Minor Overhaul Kit	1008306	Incls: Items 2-3, 11 & 26	Services 1 brake assy
Brake Lining Kit	Pages 20-22	Incls: Items 26, Lining & Rivets	Services 2 brake assys
Shoe & Lining Assys	Pages 20-22	Incls: Shoe, Linings & Rivets assembled	Sold in Multi-Pack of 2 which services 1 brake assy
Major Overhaul Kit	Pages 20-22	Incls: Items 2-3, 6-7, 10-12, 26, 29 & (2 Shoe & Lining Assys)	Services 1 brake assy

Brake Assembly 15" – Standard and Extended Service Brakes (pages 4–5)

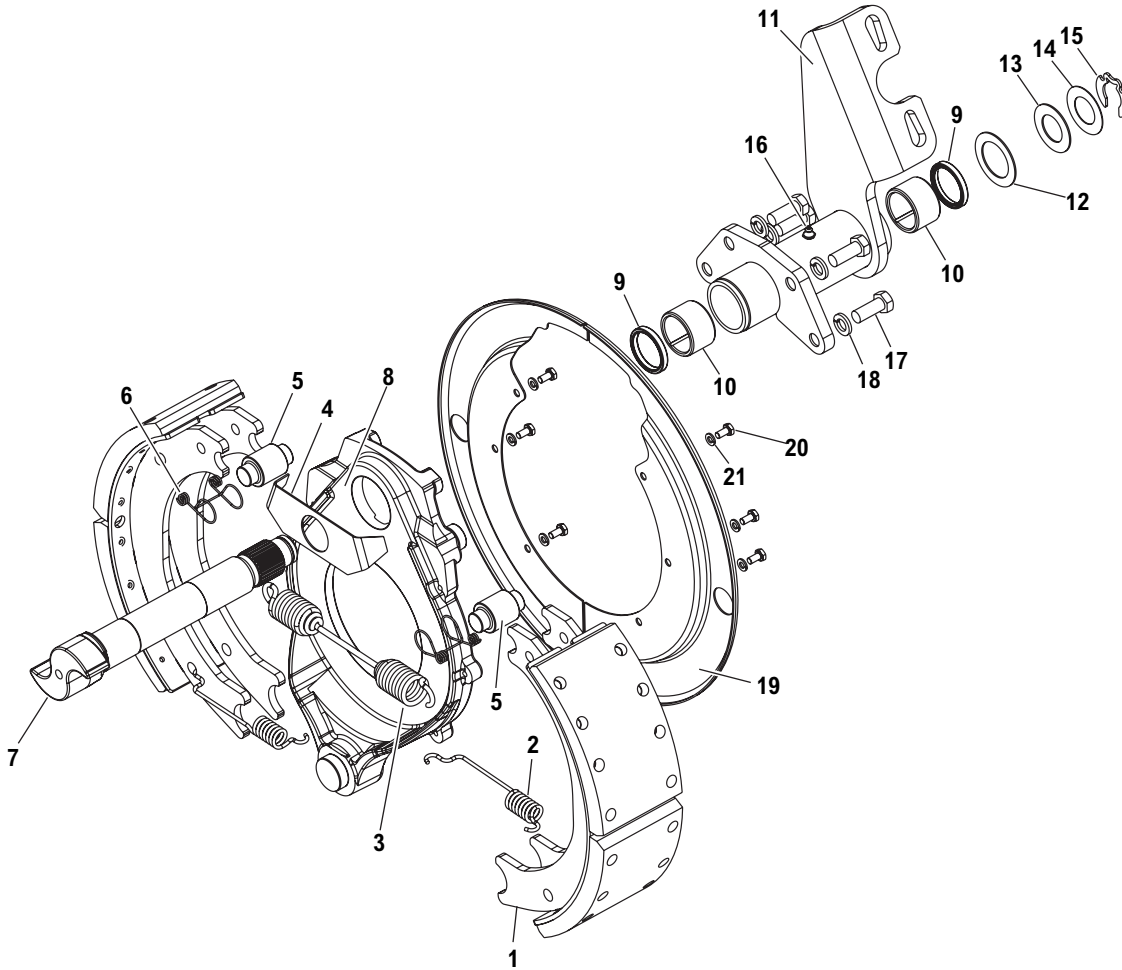
For Models: EB-150-4L & ES-150-4L

Item No.	Part Name	Qty.	Part No.	Notes
1	Shoe w/o Lining	2	1005840	Standard EB Shoe (FMSI #1308)
			807685	Extended Service Shoe (FMSI #1443)
2	Shoe Retainer Spring	1	1003999	Black Spring
3	Cam Roller	2	1005204	
4	Spider (see page 91)	1	Varies	
5	Camshaft (see page 24)	1	Varies	
6	Bolt	2	1006540	
7	Shoe Hold-Down Spring	2	1006500	1.5" Offset
			1006534	2.0" Offset
8	Nut	2	804024	
9	Washer	2	90414	
10	Shoe Guide	2	816547	1.5" Offset
			810484	2.0" Offset
11	Shoe Return Spring	1	1006562	Blue Spring
12	Locknut	2	1006541	
13	Flat Washer	1	1006531	
14	Lockwasher	2	90421	
15	Hex Nut	1	691005	
16	Inspection Plug	2	804286	
17	Dustshield Screw	4	804703	
18	Dustshield (see page 106)	1	Varies	
19	Grease Seal	2	1005846	
20	Camshaft Bushing	2	1008220	
21	Camshaft Bracket (see page 30)	1	Varies	
22	Bracket Mounting Stud	2	804008	
23	Slack Adjuster Inner Washer	2	1005202	
24	Camshaft Retainer Snap Ring	1	804017	
25	Camshaft Shim Washer	AR	1005203	
26	Special Grease Packet	AR	1008249	
27	Grease Fitting	1	819790	
28	Stabilizing Stud NSS	1	814096	

NSS = Not sold separately

Brake Assembly (pages 6–7)

For Model: ES-150-4D



Brake Kits

Brake Spring Kit	326509	Incls: Items 2 & 3	Services 1 brake assy
Camshaft Bushing Kit	127808	Incls: Items 9, 10, 15	Services 2 brake assys
Minor Overhaul Kit	326514	Incls: Items 2-3, 5-6	Services 1 brake assy
Brake Lining Kit	Pages 20-22	Incls: Lining & Rivets	Services 2 brake assys
Shoe & Lining Assys	Pages 20-22	Incls: Shoe, Linings & Rivets assembled	Sold in Multi-Pack of 2 which services 1 brake assy
Major Overhaul Kit	Pages 20-22	Incls: Items 2-3, 5-6 & (2 Shoe & Lining Assys)	Services 1 brake assy

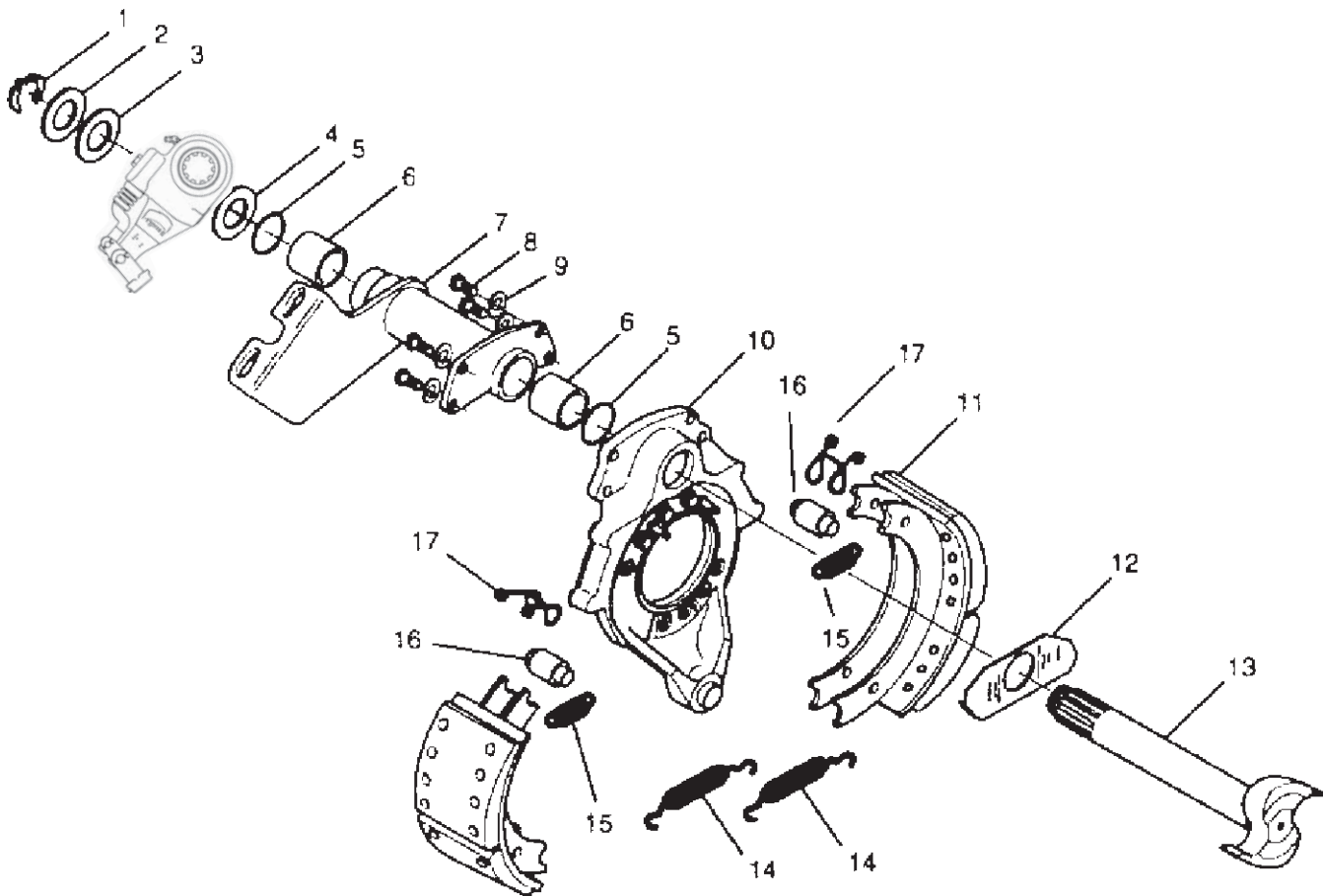
Brake Assembly (pages 6–7)

For Model: ES-150-4D

Item No.	Part Name	Qty.	Part No.	Notes
1	Shoe w/o Lining		974584	
2	Shoe Retainer Spring	2	819725	
3	Shoe Return Spring	1	974642	
4	Cam Head Washer	1	806380	
5	Cam Roller	2	806234	
6	Roller Retainer	2	808058	
7	Camshaft (see page 24)	1	Varies	
8	Cast Spider (see page 101)	1	Varies	
9	Grease Seal	2	079903	
10	Camshaft Bushing	2	1000035	
11	Bracket Assembly (see page 33)	1	Varies	
12	Slack Adjuster Inner Washer	1	043943	
13	Camshaft Shim Washer	AR	023570	
14	Camshaft Shim Washer	AR	035428	
15	Camshaft Retainer Snap Ring	1	804017	
16	Grease Fitting		819790	
17	Bracket Mounting Screw	4	038540	
18	Camshaft Bracket Lockwasher	4	090414	
19	Dustshield		974748	
20	Dustshield Screw		HM254	
21	Washer		HN184	

Brake Assembly 15" – Reduced Envelope Brakes (pages 8–9)

For Model: ES-150-6D Steer Axle Reduced Envelope Brake



Brake Kits

Brake Spring Kit	823138	Incls: Items 14 & 15	Services 1 brake assy
Camshaft Bushing Kit	127808	Incls: Items 1, 5, 6	Services 2 brake assys
Minor Overhaul Kit	823141	Incls: Items 14-17	Services 1 brake assy
Brake Lining Kit	Pages 20-22	Incls: Linings & Rivets	Services 2 brake assys
Major Overhaul Kit	Pages 20-22	Incls: Items 14-17 & (2 Shoe & Lining Assys)	Services 1 brake assy

Brake Assembly 15" – Reduced Envelope Brakes (pages 8–9)

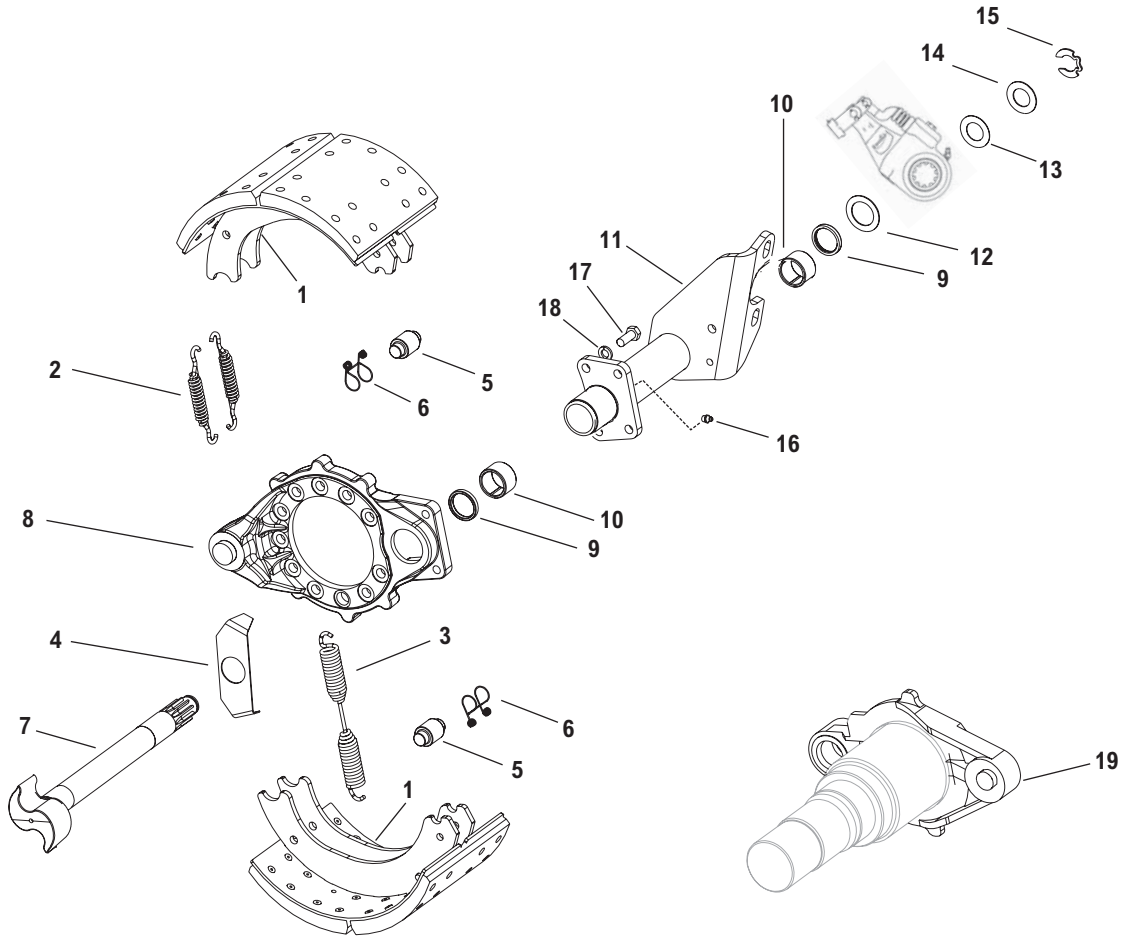
For Model: ES-150-6D Steer Axle Reduced Envelope Brake

Item No.	Part Name	Qty.	Part No.	Notes
1	Camshaft Retainer Snap Ring	1	804017	
2	Camshaft Shim Washer	AR	23570	.030"
3	Camshaft Shim Washer	AR	35428	.060"
4	Slack Adjuster Inner Washer	1	43943	
5	Grease Seal	2	79903	
6	Camshaft Bushing	2	1000035	
7	Camshaft Bracket Assembly	1	Varies	See 16.5 ES Camshafts
8	Capscrew	4	38540	Brake Mounting
9	Lockwasher	4	90414	Brake Mounting
10	Spider & Pin Assembly w/Studs (see page 94)	2	816072/3	LH/RH
	Spider & Pin Assembly w/o Studs (see page 94)	2	816806/7	LH/RH
11	Shoe (#816077) & Lining Assembly	2	816417	EES-301
	Shoe (#816077 & Lining Assembly)	2	816416	EES-201
12	Cam Washer	1	806380	
13	Camshaft (see page 24)	1	Varies	See 16.5 ES Camshafts
14	Retaining Spring	2	809513	Brake Shoe
15	Return Spring	2	817017	Red Spring
16	Roller	2	806234	
17	Roller Retainer	2	808058	

Note: The ES-150-6D uses special Camshaft Bracket and Standard ES Camshafts.

Brake Assembly 15" – Reduced Envelope Brakes (pages 10–11)

For Models: ES-150-8D (Drive Axle) & ES-150-8F (Trailer Axle) Reduced Envelope Brake



Brake Kits

Brake Spring Kit	815627	Incls: Items 2 & 3	Serves 1 brake assy
Camshaft Bushing Kit	127808	Incls: Items 9,10,15	Serves 2 brake assys
Minor Overhaul Kit	815626	Incls: Items 2-3, 5-6	Serves 1 brake assy
Brake Lining Kit	Pages 20-22	Incls: Linings & Rivets	Serves 2 brake assys
Shoe & Lining Assys	Pages 20-22	Incls: Shoe, Linings & Rivets assembled	Sold in Multi-Pack of 2 which services 1 brake assy
Major Overhaul Kit	Pages 20-22	Incls: Items 2-3, 5-6 & (2 Shoe & Lining Assys)	Serves 1 brake assy

Brake Assembly 15" – Reduced Envelope Brakes (pages 10–11)

For Models: ES-150-8D (Drive Axle) & ES-150-8F (Trailer Axle) Reduced Envelope Brake

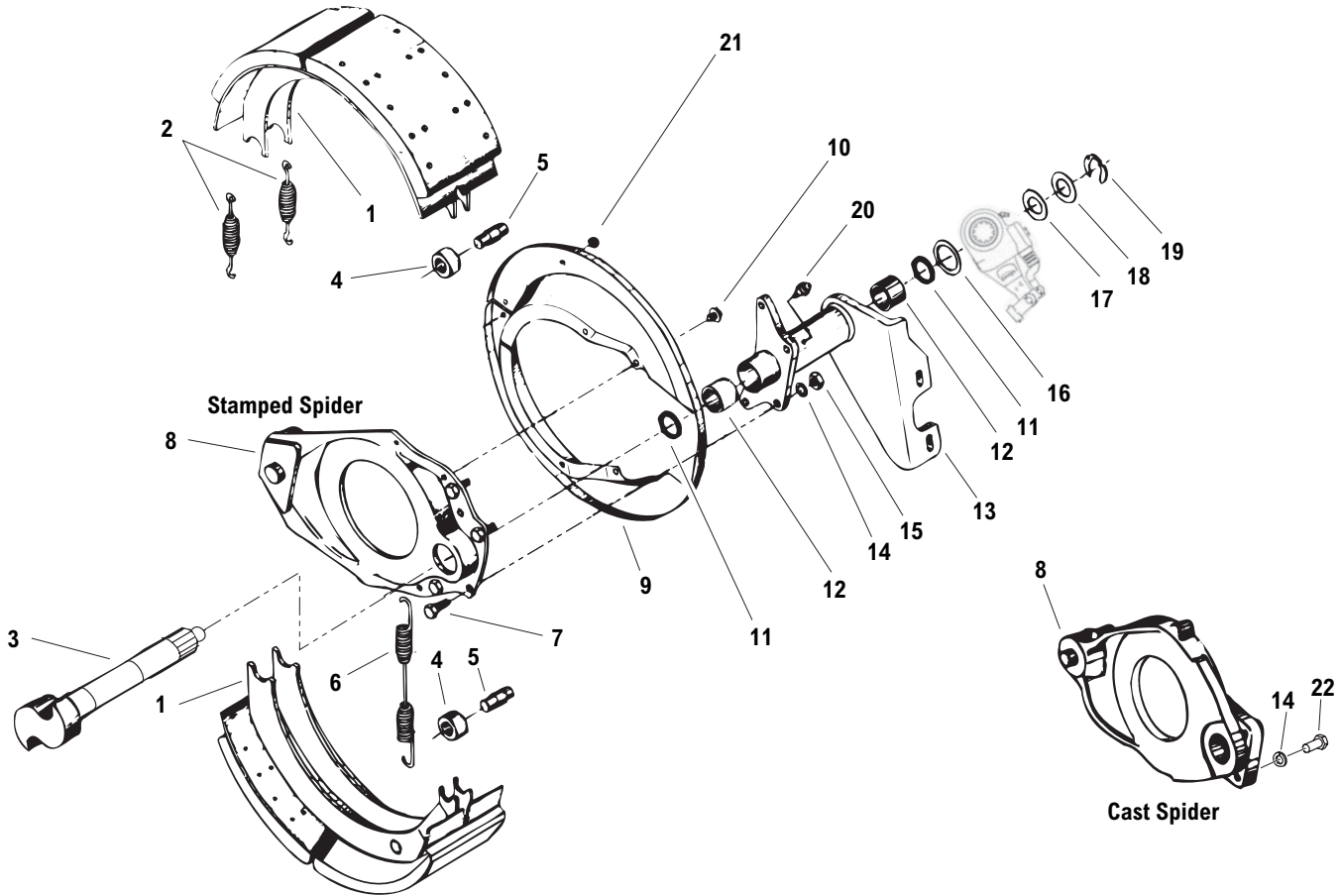
Item No.	Part Name	Qty.	Part No.	Notes
1	Shoe w/o Lining	2	813005	(FMSI #4717)
2	Shoe Retainer Spring	2	809513	Orange Spring
3	Shoe Return Spring	1	812992	
4	Cam Head Washer	1	806380	
5	Cam Roller	2	806234	
6	Roller Retainer	2	808058	
7	Camshaft (see page 27)	1	Varies	
8	Spider–Cast Steel (see page 95)	1	Varies	
9	Grease Seal	2	79903	
10	Camshaft Bushing	2	1000035	
11	Bracket Assembly (see page 56)	1	Varies	
12	Slack Adjuster Inner Washer	1	43943	
13	Camshaft Shim Washer	AR	23570	.030"
14	Camshaft Shim Washer	AR	35428	.060"
15	Camshaft Retainer Snap Ring	1	804017	
16	Grease Fitting	1	819790	
17	Bracket Mounting Capscrew	4	38540	
18	Camshaft Bracket Lockwasher	4	90414	
19	Forged Spider (For Trailer Axles) NSS	1	N/A	

Note: Dustshield not available for ES-150-8D or ES-150-8F

NSS = Not sold separately

Brake Assembly 16.5" – Standard Brakes (pages 12–13)

For Models: EB-165-5D, EB-165-5L, EB-165-6D, EB-165-6L, EB-165-7D, EB-165-7L, EB-165-8D, EB-165-8F



Brake Kits

Brake Spring Kit–Low Mount	1001237	Incls: Items 2 & 6	Serves 1 brake assy
Brake Spring Kit–High Mount	1008403	Incls: Items 2 & 6	Serves 1 brake assy
Camshaft Bushing Kit	127808	Incls: Items 11, 12, 19	Serves 2 brake assys
Minor Overhaul Kit–Low Mount	1001238	Incls: Items 2, 4-6	Serves 1 brake assy
Minor Overhaul Kit–High Mount	1005003	Incls: Items 2, 4-6	Serves 1 brake assy
Brake Lining Kit	Pages 20-22	Incls: Lining & Rivets	Serves 2 brake assys
Shoe & Lining Assys	Pages 20-22	Incls: Shoes, Lining & Rivets assembled	Sold in Multi-Pack of 2 which services 1 brake assy
Major Overhaul Kit	Pages 20-22	Incls: Items 2, 4-6, & (2 Shoe & Lining Assys)	Serves 1 brake assy

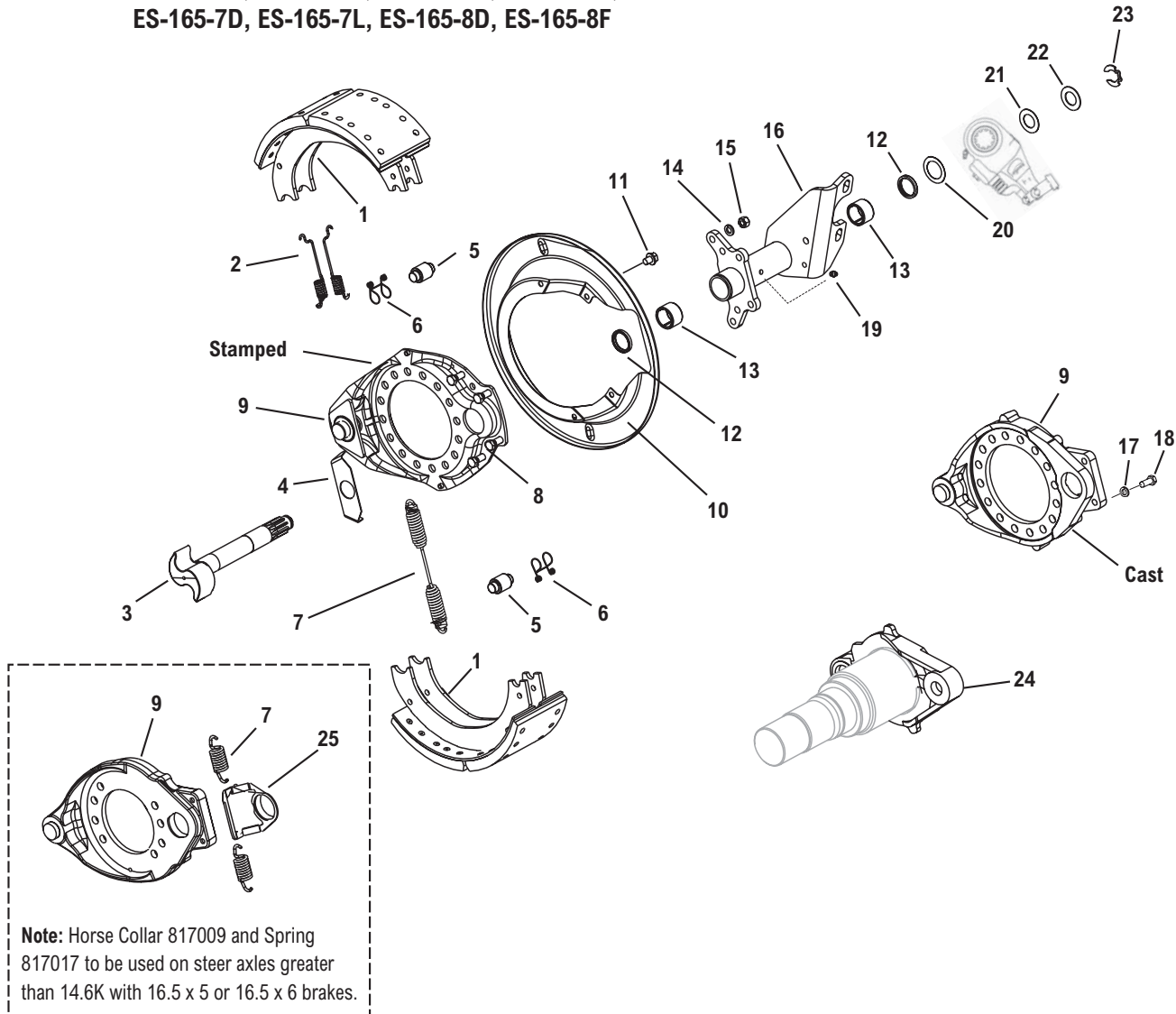
Brake Assembly 16.5" – Standard Brakes (pages 12–13)

For Models: EB-165-5D, EB-165-5L, EB-165-6D, EB-165-6L, EB-165-7D, EB-165-7L, EB-165-8D, EB-165-8F

Item	Part Name	Qty.	Part No.	Notes
1	Shoe w/o Lining	2		
	16.5 x 5	2	805676	Low Mount Shoe (FMSI #4223A)
			805677	High Mount Shoe (FMSI #4223A)
	16.5 x 6	2	805678	Low Mount Shoe (FMSI #4317G)
			805679	High Mount Shoe (FMSI #4317G)
	16.5 x 7	2	805442	Low Mount Shoe (FMSI #4311J)
805460			High Mount Shoe (FMSI #4311J)	
	16.5 x 8.5/8		805682	Low Mount Shoe (FMSI #4674)
2	Shoe Retainer Springs	2	70326	Orange Spring
3	Camshaft (see page 27)	1	Varies	
4	Cam Roller	2	39074	
5	Cam Roller Pin	2	39075	
6	Shoe Return Spring	1	78580	Black Spring–For Low Mount Shoes
		1	1000406	Red Spring–For High Mount Shoes
7	Bracket Mounting Stud	4	804008	For Stamped Steel Spiders
8	Spider – Stamped Steel (see page 96)	1	Varies	
	Spider – Cast Spider (see pages 101)			
9	Dustshield (see pages 106-107)		1	Varies
	Dustshield Retaining Clip (part not illustrated)	1	804285	2 Piece Dustshields Only
	Dustshield Retaining Screw (part not illustrated)	2	804284	2 Piece Dustshields Only
10	Dustshield Screw	4	804703	For Stamped Steel Spiders
		6	804023	For Cast Spiders
11	Grease Seal	2	79903	
12	Camshaft Bushing	2	1000035	
13	Bracket Assembly (see page 37)	1	Varies	
14	Lockwasher	4	804304	For Stamped Steel Spiders
			90414	For Cast Spiders
15	Nut	4	804024	Used on Stamped Steel Spiders Only
16	Slack Adjuster Inner Washer	2	43943	
17	Camshaft Shim Washer	AR	23570	.030"
18	Camshaft Shim Washer	AR	35428	.060"
19	Camshaft Retainer Snap Ring	1	804017	
20	Grease Fitting	1	819790	
21	Inspection Plug	2	804286	
22	Bracket Mounting Bolt	4	38540	For Cast Spiders

Brake Assembly 16.5" – Extended Service Brakes (pages 14–15)

For Models: ES-165-5D, ES-165-5L, ES-165-6D, ES-165-6L,
ES-165-7D, ES-165-7L, ES-165-8D, ES-165-8F



Brake Kits

Brake Spring Kit (ESII Only)	316896	Incls: Items 2 & 7	Services 1 brake assy
Brake Spring Kit (for use with 817009 only ESII)	316895	Incls: Items 2 & 7	Services 1 brake assy
Camshaft Bushing Kit	127808	Incls: Items 12-13, 23	Services 2 brake assys
Minor Overhaul Kit (for use with 817009 only ESII)	314146	Incls: Items 2, 5-7	Services 1 brake assy
Minor Overhaul ES	808330	Incls: Items 2, 5-7	Services 1 brake
Minor Overhaul Kit (ESII Only)	314147	Incls: Items 2, 5-7	Services 1 brake assy
Brake Lining Kit	See Pages 20-22	Incls: Linings & Rivets	Services 2 brake assys
Shoe & Lining Assys	See Pages 20-22	Incls: Shoe, Lining & Rivets assembled	Sold in Multi-Pack of 2 which services 1 brake assy
Major Overhaul Kit	See Pages 20-22	Incls: Items 2, 5-7 & (2 Shoe & Lining Assys)	Services 1 brake assy
Horse Collar Kit	814011	Incls: Items 7 & 25	Services 1 brake assy

Note: Minor overhaul kit 808330 use with ES shoes with the retaining springs attached to the shoe table. ESII shoes have the retaining spring attached to the shoe webs.

Brake Assembly 16.5" – Extended Service Brakes (pages 14–15)

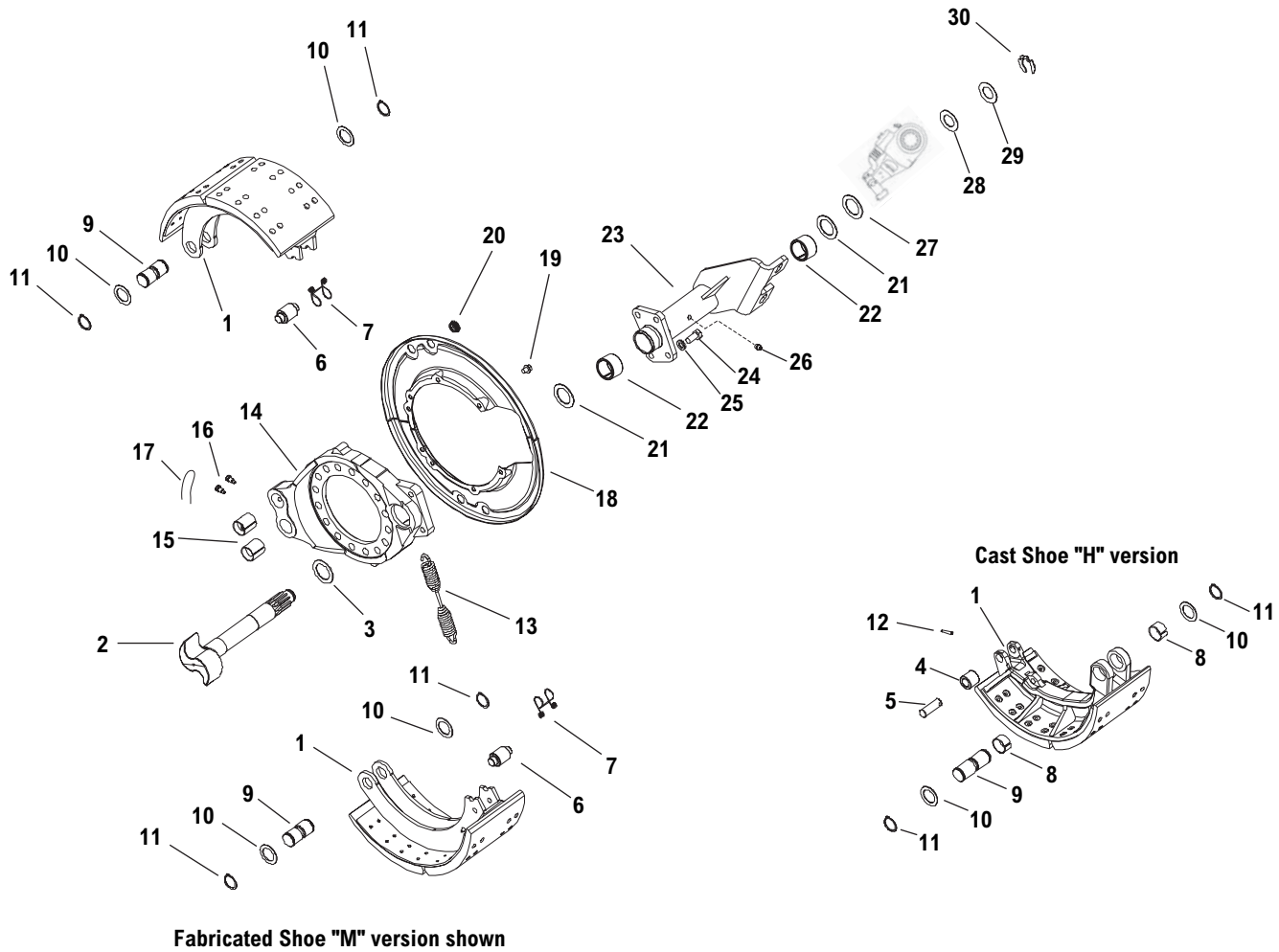
For Models: ES-165-5D, ES-165-5L, ES-165-6D, ES-165-6L, ES-165-7D, ES-165-7L, ES-165-8D, ES-165-8F

Item	Part Name	Qty.	Part No.	Notes
1	Shoe w/o Lining	2		
	16.5 x 5	2	819705	ESII Hot Staked replaces ES 811934 (FMSI #4719D)
	16.5 x 6	2	819706	ESII Hot Staked replaces ES 812046 (FMSI #4725D)
	16.5 x 7	2	819707	ESII Hot Staked replaces ES 806229 (FMSI #4709D)
	16.5 x 8.62	2	819708	ESII Hot Staked replaces ES 812071 (FMSI #4726D)
2	Shoe Retainer Spring	2	819725	Orange Spring (used with Hot Staked shoes)
			70326	Orange Spring (used with ES shoes)
3	Camshaft (see page 27)	1	Varies	
4	Cam Head Washer	1	806380	
5	Cam Roller	2	806234	
6	Roller Retainer	2	808058	
7	Shoe Return Spring	1	818278	Gray Spring (used on ES & ESII)
			2	817017
8	Bracket Mounting Stud	4	804008	For Stamped Steel Spiders
9	Spider	1	Varies	(see page 96 for stamped & page 101 for cast)
10	Dustshields	1	Varies	(see page 106 for stamped & page 107 for cast)
11	Dustshield Screw	4	804703	For Stamped Steel Spiders
12	Grease Seal	2	79903	
13	Camshaft Bushing	2	1000035	
14	Bracket Mounting Lockwasher	4	804304	For Stamped Steel Spiders
15	Bracket Mounting Hex Nut	4	804024	For Stamped Steel Spiders
16	Bracket Assembly	1	Varies	(see page 37 for stamped & page 58 for cast)
17	Bracket Mounting Lockwasher	4	90414	For Cast Spiders
18	Bracket Mounting Capscrew	4	38540	For Cast Spiders
19	Bracket Assembly Grease Fitting	1	819790	
20	Slack Adjuster Inner Washer	1	43943	
21	Camshaft Shim Washer	AR	23570	.030"
22	Camshaft Shim Washer	AR	35428	.060"
23	Camshaft Retainer Snap Ring	1	804017	
24	Forged Spider (For Trailer Axles) NSS	1	N/A	
25	Horse Collar	1	817009	

NSS = Not sold separately

Brake Assembly 16.5" – Heavy and Severe Duty Extended Service Brakes (pages 16–17)

For Models: ES-165-7M (Heavy Duty) & ES-165-7H (Severe Duty)



Brake Kits

Brake Spring Kit	N/A		
Camshaft Bushing Kit	1008047	Incls: Items 21-22, 30	Services 2 brake assys
Minor Overhaul Kit – "M" Series	812118	Incls: Items 6-7, 9-11, 13, 15-17	Services 1 brake assy
Minor Overhaul Kit – "H" Series	810213	Incls: Items 4-5, 8-13, 15-17	Services 1 brake assy
Brake Lining Kit	Pages 20-22	Incls: Lining & Rivets	Services 2 brake assys
Shoe & Lining Assys	Pages 20-22	Incls: Shoes/Lining & Rivets Assembled and Item #8 for "H" Series	Sold in Multi-Pack of 2 which services 1 brake assy
Major Overhaul Kit – "M" Series	Pages 20-22	Incls: Items 6-7, 9-13, 15-17, & (2 Shoe & Lining Assys)	Services 1 brake assy
Major Overhaul Kit – "H" Series	Pages 20-22	Incls: Items 4-5, 9-13, 15-17, & (2 Shoe & Lining Assys)	Services 1 brake assy
Brake Shoe Kit – "M" Series	812114	Incls: Items 1, 6-7	Services 1 brake shoe
Brake Shoe Kit – "H" Series	810214	Incls: Items 1, 4-5, 8 & 12	Services 1 brake shoe

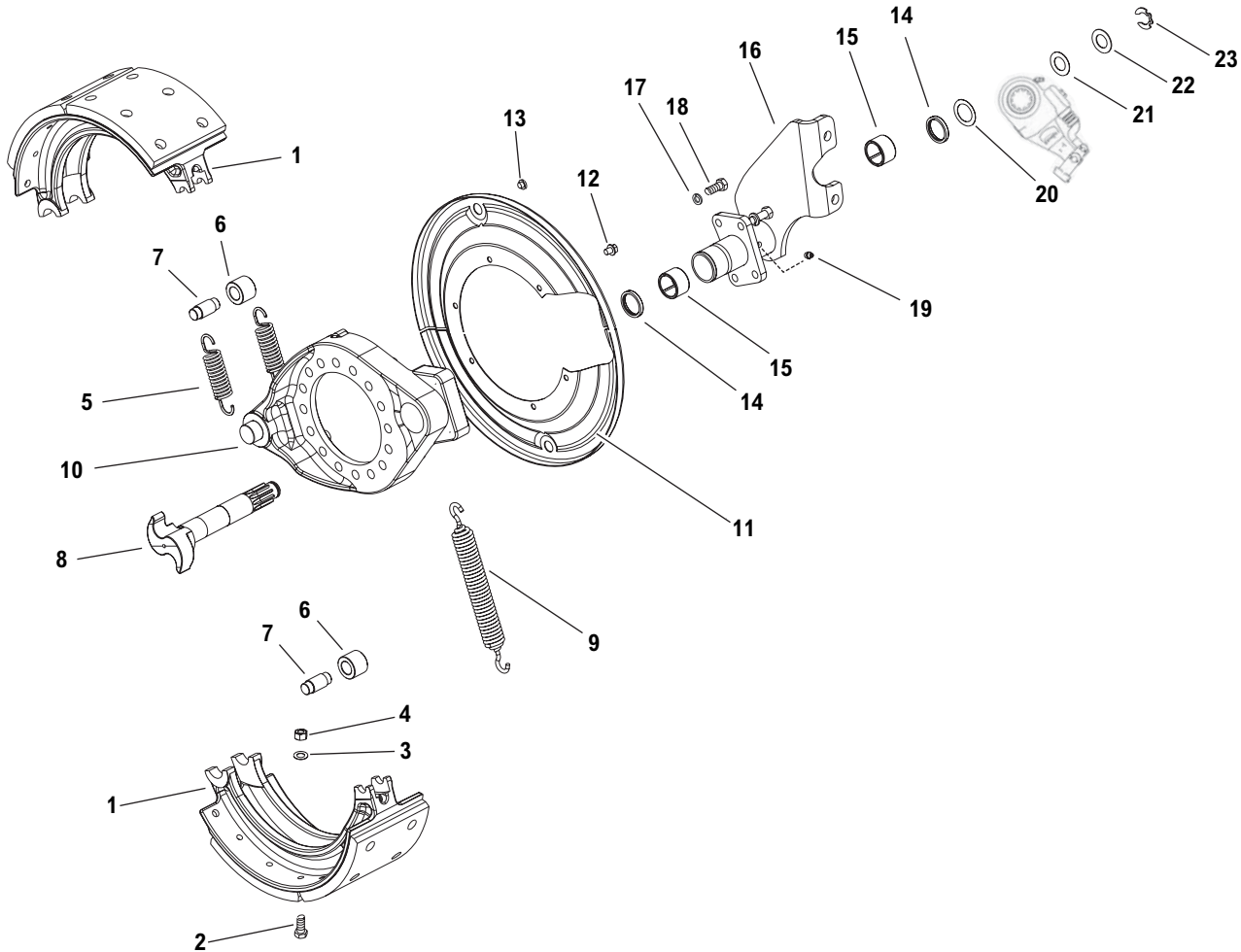
Brake Assembly 16.5" – Heavy and Severe Duty Extended Service Brakes (pages 16–17)

For Models: ES-165-7M (Heavy Duty) & ES-165-7H (Severe Duty)

Item No.	Part Name	Qty.	Part No.	Notes
1	Shoe w/o Lining	2	819722	ESII Shoe replaces 807849 Fabricated Shoe "M" Series (FMSI #4709D)
			810517	Cast Shoe "H" Series (FMSI #4709D)
2	Camshaft (see page 27)	1	Varies	
3	Camshaft Washer	1	43943	
4	Cam Roller	2	807931	Used Only on the "H" Series
5	Cam Roller Pin	2	810390	Used Only on the "H" Series
6	Cam Roller	2	809511	Used Only on the "M" Series
7	Roller Retainer	2	808058	Used Only on the "M" Series
8	Anchor Pin Bushing	4	809068	Used Only on the "H" Series
9	Anchor Pin	2	811340	Used on "M" Series
			810316	Used on "H" Series
10	Flat Washer	4	807928	
11	Retainer Snap Ring	4	807929	
12	Groove Pin	2	810530	Used Only on the "H" Series
13	Shoe Return Spring	1	810292	Used on "M" Series–Yellow Spring
			807930	Used on "H" Series–Orange Spring
14	Spider–Cast Steel–Dual Anchor Pin (see page 103)	1	Varies	Includes Item #15
15	Bushing	2	809069	
16	Capscrew	2	810392	
17	Lockwire	AR	90533	
18	Dustshield (2 Piece)	1	809718	
19	Dustshield Screw	6	804703	
20	Inspection Hole Plug	2	89899	
21	Grease Seal	2	79903	
22	Camshaft Bushing	1	1000035	Nylon–Outer
			1003000	Bronze–Inner
23	Bracket Assembly (see page 81)	1	Varies	
24	Bolt–Bracket Mounting	4	38540	
25	Lockwasher–Bracket Mounting	4	90414	
26	Grease Fitting	1	819790	
27	Slack Adjuster Inner Washer	1	43943	
28	Camshaft Shim Washer	AR	35428	.060"
29	Camshaft Shim Washer	AR	23570	.030"
30	Camshaft Retainer Snap Ring	1	804017	

Brake Assembly 18" – Standard Brakes (pages 18–19)

For Model: EB-180-7R



Brake Kits

Brake Spring Kit	807173	Incls: Items 5 & 9	Serves 1 brake assy
Bolt and Nut Kit–E120HS or E185HS Only	813659	Incls: Items 2-4	Serves 1 brake assy
Camshaft Bushing Kit	1008047	Incls: Items 14-15, 23	Serves 2 brake assys
Minor Overhaul Kit	1005005	Incls: Items 5-7 & 9	Serves 1 brake assy
Brake Lining Kit	Pages 20-22	Incls: Lining 2-4	Serves 2 brake assys
Shoe & Lining Assys	Pages 20-22	Incls: Shoe/Linings, Nuts, Washers and Bolts or Screws Assembled	Sold in Multi-Pack of 2 which services 1 brake assy
Major Overhaul Kit	Pages 20-22	Incls: Items 5-7 & 9 & (2 Shoe & Lining Assys)	Serves 1 brake assy

Brake Assembly 18" – Standard Brakes (pages 18–19)

For Model: EB-180-7R

Item	Part Name	Qty.	Part No.	Notes
1	Shoe w/o Lining	2	1003017	Cast Steel (FMSI #4527B)
2	Lining Bolt (countersunk -81°)	24	1000149	Used on E120HS Lining & E185HS Lining
	Lining Screw (flat head)	24	8111101	Used on E175HS Lining
3	Washer	24	822349	
4	Nut	24	807939	
5	Shoe Retainer Springs	2	1000092	Green Spring
6	Cam Roller	2	1003831	
7	Cam Roller Pin	2	1003832	
8	Camshaft (see page 27)	1	Varies	
9	Shoe Return Spring	1	1000091	Green Spring
10	Spider & Pin Assembly (see page 104)	1	Varies	Cast Steel
11	Dustshield	1	1000090	
12	Dustshield Screw	6	804703	(International Truck & Engine Uses Part No. 90021 Screw & 90421 Lockwasher)
13	Dustshield Plug	2	89899	
14	Grease Seal	2	79903	
15	Camshaft Bushing	1	1000035	Nylon–Outer
	Camshaft Bushing	1	1003000	Bronze–Inner
16	Bracket Assembly (see page 88)	1	Varies	
17	Lockwasher–Bracket Mounting	4	90414	
18	Bolt–Bracket Mounting	4	38540	
19	Grease Fitting	1	819790	
20	Slack Adjuster Inner Washer	1	43943	
21	Camshaft Shim Washer	AR	23570	.030" (International Truck & Engine Uses Part No. 1003393)
22	Camshaft Shim Washer	AR	35428	.060" (International Truck & Engine Uses Part No. 1003394) .075" (International Truck & Engine Uses Part No. 1003395)
23	Camshaft Retainer Snap Ring	1	804017	(International Truck & Engine Uses Part No. 1003392)



Standard Brake Shoe and Lining Chart

Brake Size	FMSI No.	Shoe Part No.	Type Shoe	LiningType	Shoe & Lining Assy	Major Overhaul Kit	Brake Lining Kit
15x4 Standard EB1504L	1308	1005840	EB	3030-67 (6011)	1009000	1009353	1009352
				931-162 (685)	1006404	1008311	1008304
				NAB-10	808808	809812	809799
				NAB-9MK	1006411	1008313	1008302
16.5 x 5 Standard EB1655L/D	4223A	805677	High	3030-67 (6011)	806519	807177	807167
			Low	3030-67 (6011)	806517	807175	807167
			High	931-162 (685)	805714	1008503	1008523
			Low	931-162 (685)	805717	1008505	1008523
			High	NAB-10	808463	809866	809865
			Low	NAB-10	808464	809864	809865
			High	E145A (HD2A)	806518	807176	807166
			Low	E145A (HD2A)	806516	807174	807166
16.5 x 6 Standard EB1656L/D	4317	805679	High	3030-67 (6011)	806533	807181	807169
			Low	3030-67 (6011)	806531	807179	807169
			High	931-162 (685)	805721	1008507	1008521
			Low	931-162 (685)	805725	1008510	1008521
			High	NAB-10	808465	808630	809868
			Low	NAB-10	808466	808631	809868
			High	E145A (HD2A)	806532	807180	807168
			Low	E145A (HD2A)	806530	807178	807168
			High	E120HS	808905	809871	809870
			Low	E120HS	808906	809869	809870
16.5 x 7 Standard EB1657L/D	4311J	805460	High	3030-67 (6011)	807909	808632	1009354
			Low	3030-67 (6011)	805896	807247	1009354
			High	931-162 (685)	805467	807182	1009315
			Low	931-162 (685)	805454	1008345	1009315
			High	NAB-10	808468	809873	809867
			Low	NAB-10	808469	809872	809867
			Low	E145A (HD2A)	805897	807246	1009355
			High	E120HS	808876	809707	809703
			Low	E120HS	808877	809705	809703
			High	E170HS	808878	809708	809704
			Low	E170HS	808879	809706	809704
			Low	SMB-1A	808203	808633	1006873
			High	SMB-1A	1008757	1006911	1006873
			16.5 x 8.63 Standard	4674	805682	Low	3030-67 (6011)
Low	931-162 (685)	805735				807184	807170
Low	NAB-9MK	805734				807185	807171
18 x 7 Heavy Cast EB1807R	4527B	1003017	R series	E120HS	810485	810516	810791
				E175HS	812017*	812714	N/A
				E185HS	818300	314373	314372

*Bonded and bolted shoe and lining. Lining not sold separately.

Extended Service Brake Shoe and Lining Chart (pages 21–23)

Brake Size	Shoe Part No.	Type Shoe	Lining Type	Shoe & Lining Assy	Major Overhaul Kit w/o Horse Collar	Major Overhaul Kit w/Horse Collar	Brake Lining Kit
15 x 4 Extended Service ES-150-4L FMSI 1443	807685	ES	EES400	807684	811745 (1.5" Offset)		811907
					811746 (2.0" Offset)		811907
			EES410	818569	314966 (1.5" Offset)		317214
			EES420	818570	317202 (1.5" Offset)		328339
					317203 (2.0" Offset)		328339
			EES600	974924	326512 (1.5" Offset)		328340
			EES560	974524	326513 (2.0" Offset)		328340
				318338 (1.5" Offset)		318337	
				318339 (2.0" Offset)		318337	
15 x 4 Extended Service ES-150-4D	974584	ESII	EES600	974587	326517		326515
			EES420	974588	328322		328337
			EES560	974589	328323		328338
			EES440	974848	326518		326516
			ES450S	975507	327842		328336
15 x 6 Extended Service ES-150-6L, D FMSI 4716 Reduced Envelope	819716	ESII	EES200	816083	823142		823139
			EES300	816082	823143		823140
			EES310	974236	325394		325633
15 x 8.63 Extended Service ES-150-8D, F FMSI 4717 Reduced Envelope	819718	ESII	EES200	815082	815625		815628
			EES300	816871	824906		823145
			EES310	974238	325395		325633
16.5 x 5 Extended Service ES-165-5L,D FMSI 4719	819705	ESII	EES400	819750	317688	314156	823759
			EES410	819752	317689	314157	314163
			EES420	819754	317690	314158	314164
			EES440	974855	326744	327045	326740
			EES450	974998	328317	328314	328330
			EES560	974526	318341	318342	318340
			EES600	819756	317691	314159	823760
			EES670	975094	327847	327843	328329
			EES1050	975020	328318	328315	328328
			EES1100	819511	317692	314160	823761
			EES1200	819513	317693	314161	314165
			EES1100/600	974319	328316	328313	823761
EES1200/410	819725	317694	314162	314166			



Extended Service Brake Shoe and Lining Chart (pages 21–23)

Brake Size	Shoe Part No.	Type Shoe	Lining Type	Shoe & Lining Assy	Major Overhaul Kit w/o Horse Collar	Major Overhaul Kit w/Horse Collar	Brake Lining Kit			
16.5 x 6 Extended Service ES-165-6L,D FMSI 4725D	819706	ESII	EES400	819760	317695	314168	823765			
			EES410	819762	317696	314169	314176			
			EES420	819764	317697	314170	314177			
			EES440	974856	326746	326745	326741			
			EES600	819766	317698	314171	823766			
			EES670	975095	327844	327848	328331			
			EES690	973969	328319	328320	328332			
			EES1100	819611	317699	314172	823767			
			EES1200	819613	317700	314173	314178			
			EES1100/600	819615	317701	314174	314179			
			EES1200/410	819617	317702	314175	314180			
16.5 x 7 Extended Service ES165-7L,D,F FMSI 4709	819707	ESII	EES400	819770	314148		811911			
			EES410	819772	314149		328324			
			EES420	819774	314150		328325			
			EES440	974857	326747		326742			
			EES450	975292	327001		327000			
			EES600	819776	314151		811913			
			EES670	975096	327845		328326			
			EES680	819768	314152		314155			
			EES690	974394	328312		328327			
			EES900	974180	317581		328341			
				806229	ES	EES400	807856	808331		811911
			EES600			811548	812631		811913	
			EES711			812229	808332		812283	
16.5 x 7 Extended Service Severe Duty	819722	M series	EES600	811339	812119		812101			
			EES711	816789	813241		813240			
			EES800/1100	809962	812121		811916			
ES165-7M,H FMSI 4708	810517	H series	EES800/1100	810521	813231		813229			
			EES1100	810522	810212		809982			
16.5 x 7 Extended Service ES165-7L,D,F FMSI 4708	819722	ES"P"	EES400	818028	ETN0809423		811912			
			EES420	973698	825172		825174			
	807772	ES"Q"	EES400	809426	ETN0809426		811912			
			EES410	819259	314391		N/A			
			EES420	973686	825171		825174			
			EES600	811816	ETN0811816		812101			
			EES711	812279	ETN0812279		813240			
				807799	ES"XEM"	EES400	809420	ETN0809420		811912
	EES410	819352	314392				N/A			
				EES420	973697	825170		825174		

Note: 819722 replaces 807849 shoe.

Extended Service Brake Shoe and Lining Chart (pages 21–23)

Brake Size	Shoe Part No.	Type Shoe	Lining Type	Shoe & Lining Assy	Major Overhaul Kit w/o Horse Collar	Major Overhaul Kit w/Horse Collar	Brake Lining Kit
16.5 x 8.625 Extended Service ES165-8L,D,F FMSI 4726D	819708	ESII	EES420	819784	314181		314183
			EES440	974858	326748		326743
			EES450	975000	328321		328333
			EES600	819786	314182		823772
			EES670	975097	327846		328334
			EES690	973970	317234		328335

Brake Springs

Identifications Reference Chart

Part No.	Type Spring	Brake Size	Free Length in Inches*	Color	Notes
1003999	Retaining	15" EB/ES	3.83	Black	
1006562	Return	15" EB/ES	7.13	Blue	
809513	Retaining	15" REB	5.50	Orange	
810845	Return	15" REB	N/A	Red	Replaced by 817017
812992	Return	15" REB	10.03	White	
817017	Return	15" REB	3.51	Red	
70326	Retaining	16.5" EB/ES	4.53	Orange	
78580	Return	16.5" EB	10.72	Black	For Low Mount Shoes
806235	Return	16.5" ES	N/A	Brown	
807930	Return	16.5" ES	6.54	Orange	H Series Only
809162	Return	16.5" ES	8.74	Light Blue	Arvin Meritor/Fruehauf – Repl by 810292
810292	Return	16.5" ES	8.31	Yellow	M Series/Arvin Meritor/Fruehauf
818278	Return	16.5" ES	10.75	Grey	
1000406	Return	16.5" EB	10.07	Red	For High Mount Shoes
819725	Retaining	16.5" ES	5.54	Orange	Used on ES-II Shoe Only
1000091	Return	18"	11.38	Green	
1000092	Retaining	18"	4.70	Green	

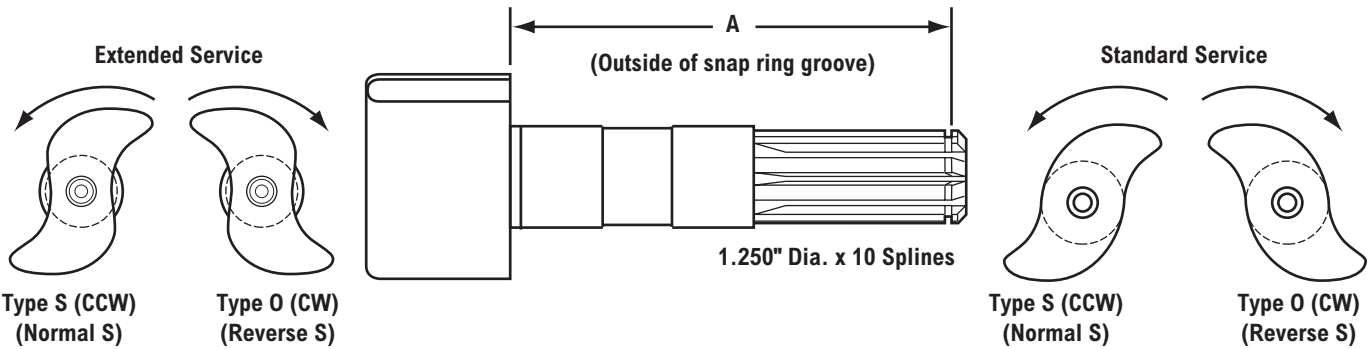
*Free Length Varies–Nominal Length Listed

Spring Service Kits

Part No.	Brake Size	Notes
807172	15 x 4	EB & ES Brakes
823138	15 x 6	REB Brakes
815627	15 x 8	REB Brakes
316895	16 x 5, 16 x 6	ES-II Hot Staked Brakes w/Horse Collar
316896	16.5 x 5, 6, 7, 8.63	ES-II Hot Staked Brakes
1001237	16.5 x 5, 6, 7, 8.63	EB Low Mount Brakes
1008403	16.5 x 5, 6, 7, 8.63	EB High Mount Brakes
807173	18 x 7	EB Brakes

Camshafts 15" – Standard and Extended Service

For Models: EB-150-4L & ES-150-4L



CCW = Counterclockwise Rotation

CW = Clockwise Rotation

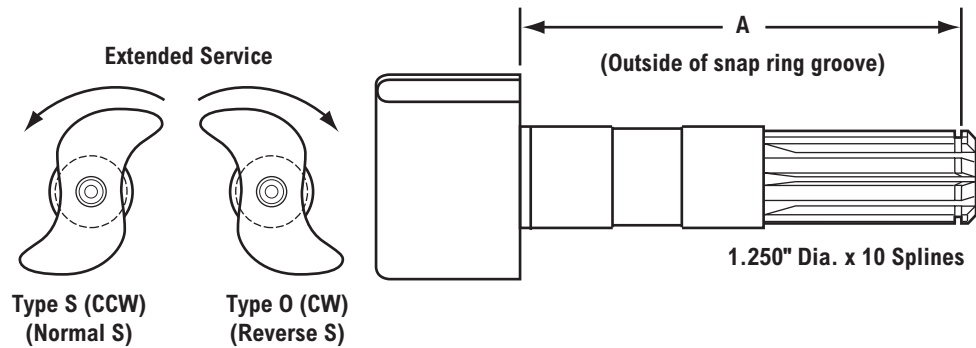
Note: Camshafts listed by length.

“A” Camshaft Length in (mm)	Standard Part No.	Extended Service Part No.	Rotation	Remarks
5.050 (128.270)	N/A	973736	CCW (S)	
5.050 (128.270)	N/A	973737	CW (O)	
7.752 (196.900)	1006724	813492	CCW (S)	
7.752 (196.900)	1006725	813493	CW (O)	
8.046 (204.368)	1006726	813486	CCW (S)	
8.046 (204.368)	1006727	813487	CW (O)	
8.277 (210.235)	1006948	813478	CCW (S)	
8.277 (210.235)	1006949	813479	CW (O)	
8.494 (215.747)	809952	813490	CCW (S)	
8.494 (215.747)	809953	813491	CW (O)	
8.676 (220.370)	1006730	813488	CCW (S)	
8.676 (220.370)	1006731	813489	CW (O)	
9.041 (229.641)	1008006	813496	CCW (S)	
9.041 (229.641)	1008007	813497	CW (O)	
9.296 (236.118)	1006866	813480	CCW (S)	
9.296 (236.118)	1006867	813481	CW (O)	
9.667 (245.541)	1006728	813482	CCW (S)	
9.667 (245.541)	1006729	813483	CW (O)	
9.895 (251.333)	1006940	813494	CCW (S)	
9.895 (251.333)	1006941	813495	CW (O)	
10.669 (270.992)	N/A	975390	CCW (S)	
10.669 (270.992)	N/A	975391	CW (O)	
11.010 (279.654)	1006864	813484	CCW (S)	
11.010 (279.654)	1006865	813485	CW (O)	
11.226 (285.140)	1008246	813498	CCW (S)	
11.226 (285.140)	1008247	813499	CW (O)	

Note: Extended Service Camshaft **CAN** be used in place of Standard Camshaft.
Standard Camshaft **CANNOT** be used in place of Extended Service Camshaft.

Camshafts 15" – Extended Service (pages 25–26)

For Model: ES-150-4D



CCW = Counterclockwise Rotation

CW = Clockwise Rotation

Note: Camshafts listed by length.

“A” Camshaft Length in (mm)	Extended Service Part No.	Rotation	Remarks
8.315 (211.20)	974682	CCW (S)	
8.315 (211.20)	974683	CW (O)	
8.750 (222.25)	974874	CCW (S)	
8.750 (222.25)	974875	CW (O)	
9.125 (231.78)	975654	CCW (S)	
9.125 (231.78)	975655	CW (O)	
9.438 (239.73)	974910	CCW (S)	
9.438 (239.73)	974911	CW (O)	
9.570 (243.08)	975558	CCW (S)	
9.570 (243.08)	975559	CW (O)	
9.688 (246.08)	975042	CCW (S)	
9.688 (246.08)	975043	CW (O)	
10.090 (256.29)	975576	CCW (S)	
10.090 (256.29)	975577	CW (O)	
10.190 (258.83)	975534	CCW (S)	
10.190 (258.83)	975535	CW (O)	
10.320 (262.13)	975578	CCW (S)	
10.320 (262.13)	975579	CW (O)	
10.440 (265.18)	975580	CCW (S)	
10.440 (265.18)	975581	CW (O)	
10.570 (268.48)	975582	CCW (S)	
10.570 (268.48)	975583	CW (O)	
10.688 (271.48)	975610	CCW (S)	
10.688 (271.48)	975611	CW (O)	
10.875 (276.23)	975228	CCW (S)	
10.875 (276.23)	975229	CW (O)	
11.570 (293.88)	975584	CCW (S)	
11.570 (293.88)	975585	CW (O)	



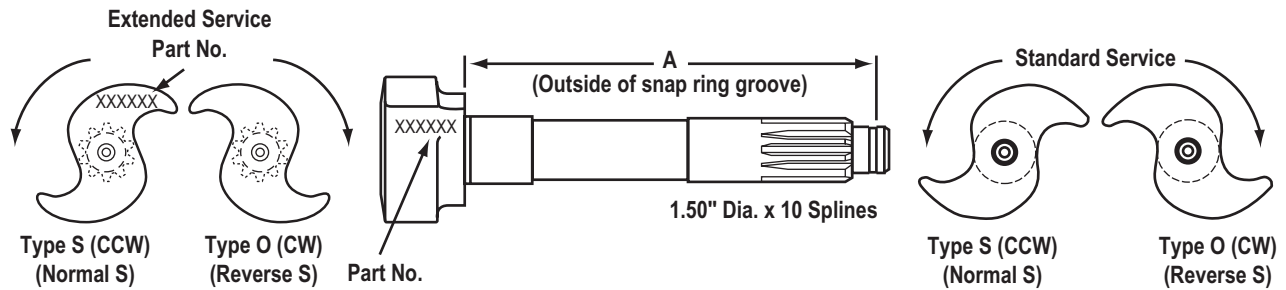
Camshafts 15" – Extended Service Brakes (pages 25–26)

For Model: ES-150-4D

"A" Camshaft Length in (mm)	Extended Service Part No.	Rotation	Remarks
9.125 (231.78)	975654	CCW (S)	
9.125 (231.78)	975655	CW (O)	
9.438 (239.73)	974910	CCW (S)	
9.438 (239.73)	974911	CW (O)	
9.570 (243.08)	975558	CCW (S)	
9.570 (243.08)	975559	CW (O)	
9.688 (246.08)	975042	CCW (S)	
9.688 (246.08)	975043	CW (O)	

Camshafts 16.5" and 18" – Standard and Extended Service Brakes (pages 27–29)

For Models: EB-165, ES-165, ES-1508D & EB-180



CCW = Counterclockwise Rotation

CW = Clockwise Rotation

Note: Camshafts listed by length.

Standard Part No.	Rotation	"A"		Extended Service Part No.	Rotation	"A"		Extended Service Clipped Part No.	Rotation	"A"	
		Camshaft Length in (mm)	in (mm)			Camshaft Length in (mm)	in (mm)			Camshaft Length in (mm)	in (mm)
816738	CCW	6.712	[170.48]	818574	CCW	6.775	[172.09]	N/A			
816739	CW	6.712	[170.48]	818575	CW	6.775	[172.09]	N/A			
811298	CCW	7.390	[187.70]	N/A				N/A			
811299	CW	7.390	[187.70]	N/A				N/A			
812752	CCW	7.586	[192.69]	N/A				N/A			
812753	CW	7.586	[192.69]	N/A				N/A			
39040	CCW	7.687	[195.25]	818378	CCW	7.750	[196.85]	N/A			
39041	CW	7.687	[195.25]	818379	CW	7.750	[196.85]	N/A			
1005042	CCW	8.250	[209.55]	819350	CCW	8.315	[211.20]	N/A			
1005043	CW	8.250	[209.55]	819351	CW	8.315	[211.20]	N/A			
1000087	CCW	8.687	[220.65]	808708	CCW	8.749	[222.22]	974024	CCW	8.749	[222.22]
1000088	CW	8.687	[220.65]	808709	CW	8.749	[222.22]	974025	CW	8.749	[222.22]
89038	CCW	8.875	[225.43]	818778	CCW	8.875	[225.43]	N/A			
89039	CW	8.875	[225.43]	818779	CW	8.875	[225.43]	N/A			
89117	CCW	9.031	[229.39]	N/A				N/A			
89118	CW	9.031	[229.39]	N/A				N/A			
N/A				817702	CCW	9.125	[231.78]	974758	CCW	9.125	[231.78]
N/A				817703	CW	9.125	[231.78]	974759	CW	9.125	[231.78]
808792	CCW	9.375	[238.13]	817634	CCW	9.438	[239.73]	974270	CCW	9.437	[239.70]
808793	CW	9.375	[238.13]	817635	CW	9.438	[239.73]	974271	CW	9.437	[239.70]
815546	CCW	9.625	[244.45]	819552	CCW	9.687	[246.05]	974492	CCW	9.687	[246.05]
815547	CW	9.625	[244.45]	819553	CW	9.687	[246.05]	974493	CW	9.687	[246.05]
42096	CW	9.875	[250.83]	974174	CCW	9.937	[252.40]	975026	CCW	9.937	[252.40]
42097	CCW	9.875	[250.83]	974175	CW	9.937	[252.40]	975027	CW	9.937	[252.40]
N/A				818970	CCW	10.152	[257.86]	973518	CCW	10.152	[257.86]
N/A				818971	CW	10.152	[257.86]	973519	CW	10.152	[257.86]
N/A				817510	CCW	10.187	[258.75]	N/A			
N/A				817511	CW	10.187	[258.75]	N/A			
43231	CW	10.281	[261.14]	808410	CCW	10.343	[262.71]	N/A			
43232	CCW	10.281	[261.14]	808411	CW	10.343	[262.71]	N/A			
808794	CCW	10.092	[266.34]	N/A				N/A			
808795	CW	10.092	[266.34]	N/A				N/A			



Camshafts 16.5" and 18" – Standard and Extended Service Brakes (pages 27–29)

For Models: EB-165, ES-165 & EB-180

Standard Part No.	Rotation	"A"		Extended Service Part No.	Rotation	"A"		Extended Service Clipped Part No.	Rotation	"A"	
		Camshaft Length in (mm)				Camshaft Length in (mm)				Camshaft Length in (mm)	
807590	CCW	10.500 [266.70]		808072	CCW	10.562 [268.27]		974488	CCW	10.562 [268.27]	
807591	CW	10.500 [266.70]		808073	CW	10.562 [268.27]		974489	CW	10.562 [268.27]	
70308	CCW	10.625 [269.88]		807858	CCW	10.687 [271.45]		816964	CCW	10.687 [271.45]	
70309	CW	10.625 [269.88]		807859	CW	10.687 [271.45]		816965	CW	10.687 [271.45]	
810454	CCW	10.812 [274.62]		N/A				N/A			
810455	CW	10.812 [274.62]		N/A				N/A			
807614	CCW	10.875 [276.22]		810456	CCW	10.875 [276.22]		N/A			
807615	CW	10.875 [276.22]		810457	CW	10.875 [276.22]		N/A			
N/A				808076	CCW	10.937 [277.80]		818426	CCW	10.937 [277.80]	
N/A				808077	CW	10.937 [277.80]		818427	CW	10.937 [277.80]	
807582	CCW	10.972 [278.69]		N/A				N/A			
807583	CW	10.972 [278.69]		N/A				N/A			
N/A				N/A				818712	CCW	11.045 [280.54]	
N/A				N/A				818713	CW	11.045 [280.54]	
76293	CCW	11.250 [285.75]		808294	CCW	11.312 [287.32]		816966	CCW	11.312 [287.32]	
76294	CW	11.250 [285.75]		808295	CW	11.312 [287.32]		816967	CW	11.312 [287.32]	
70306	CCW	11.625 [295.28]		806526	CCW	11.687 [296.85]		816968	CCW	11.687 [296.85]	
70307	CW	11.625 [295.28]		806527	CW	11.687 [296.85]		816969	CW	11.687 [296.85]	
808362	CCW	11.985 [304.42]		815462	CCW	12.048 [306.02]		818836	CCW	12.048 [306.02]	
808363	CW	11.985 [304.42]		815463	CW	12.048 [306.02]		818837	CW	12.048 [306.02]	
814840	CCW	12.312 [312.72]		819582	CCW	12.375 [314.33]		N/A			
814841	CW	12.312 [312.72]		819583	CW	12.375 [314.33]		N/A			
71306	CCW	12.562 [319.07]		808290	CCW	12.624 [320.65]		818964	CCW	12.624 [320.65]	
71307	CW	12.562 [319.07]		808291	CW	12.624 [320.65]		818965	CW	12.624 [320.65]	
806760	CCW	12.875 [327.02]		808232	CCW	12.937 [328.60]		N/A			
806761	CW	12.875 [327.02]		808233	CW	12.937 [328.60]		N/A			
1000839	CCW	13.062 [331.77]		808296	CCW	13.124 [333.35]		N/A			
1000840	CW	13.062 [331.77]		808297	CW	13.124 [333.35]		N/A			
1005866	CCW	13.312 [338.12]		808412	CCW	13.374 [339.70]		N/A			
1005867	CW	13.312 [338.12]		808413	CW	13.374 [339.70]		N/A			
35455	CCW	13.531 [343.69]		808068	CCW	13.593 [345.26]		N/A			
35456	CW	13.531 [343.69]		808069	CW	13.593 [345.26]		N/A			
N/A				819554	CCW	13.875 [352.43]		N/A			
N/A				819555	CW	13.875 [352.43]		N/A			
808924	CCW	13.937 [354.00]		809860	CCW	14.000 [355.60]		N/A			
808925	CW	13.937 [354.00]		809861	CW	14.000 [355.60]		N/A			
N/A				975738	CCW	14.125 [358.78]		N/A			
N/A				975739	CW	14.125 [358.78]		N/A			
1001580	CCW	14.375 [365.13]		807862	CCW	14.438 [366.73]		N/A			
1001581	CW	14.375 [365.13]		807863	CW	14.438 [366.73]		N/A			
807140	CCW	14.682 [372.92]		809830	CCW	14.750 [374.65]		N/A			
807141	CW	14.682 [372.92]		809831	CW	14.750 [374.65]		N/A			
35434	CCW	14.875 [377.83]		808628	CCW	14.937 [379.40]		974122	CCW	14.937 [379.40]	
35435	CW	14.875 [377.83]		808629	CW	14.937 [379.40]		974123	CW	14.937 [379.40]	

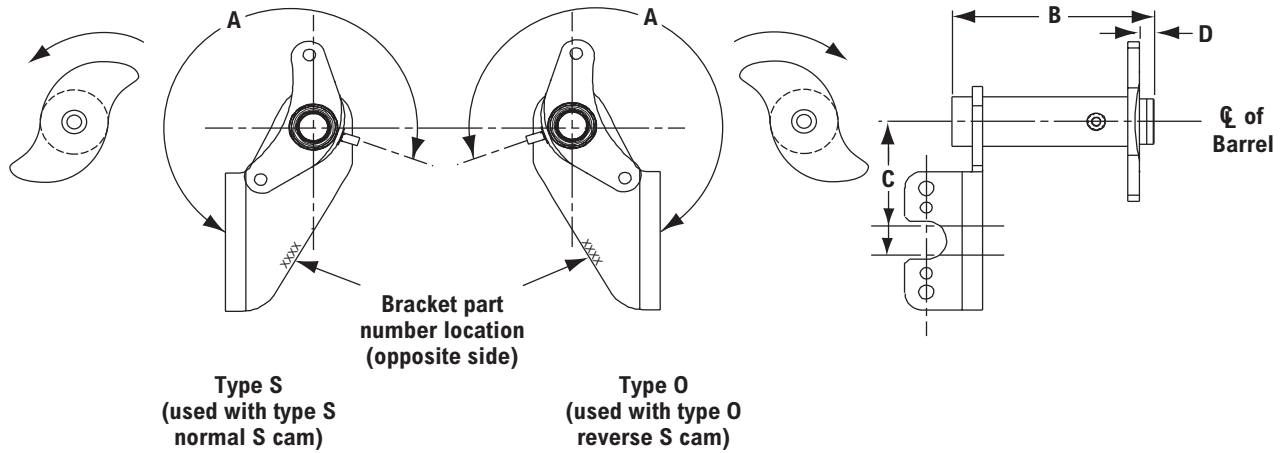
Camshafts 16.5" and 18" – Standard and Extended Service Brakes (pages 27–29)

For Models: EB-165, ES-165 & EB-180

Standard Part No.	Rotation	"A"		Extended Service Part No.	Rotation	"A"		Extended Service Part No.	Clipped Rotation	"A"	
		Camshaft Length in (mm)	Camshaft Length in (mm)			Camshaft Length in (mm)	Camshaft Length in (mm)				
35430	CCW	15.125 [384.18]		808064	CCW	15.188 [385.78]		N/A			
35431	CW	15.125 [384.18]		808065	CW	15.188 [385.78]		N/A			
811404	CCW	15.312 [388.92]		811406	CCW	15.375 [390.53]		N/A			
811405	CW	15.312 [388.92]		811407	CW	15.375 [390.53]		N/A			
812658	CCW	15.593 [396.06]		811608	CCW	15.656 [397.66]		N/A			
812659	CW	15.593 [396.06]		811609	CW	15.656 [397.66]		N/A			
811666	CCW	15.813 [401.65]		811668	CCW	15.875 [403.23]		N/A			
811667	CW	15.813 [401.65]		811669	CW	15.875 [403.23]		N/A			
1001722	CCW	16.000 [406.40]		811392	CCW	16.062 [407.97]		N/A			
1001723	CW	16.000 [406.40]		811393	CW	16.062 [407.97]		N/A			
35438	CCW	16.093 [408.76]		N/A				N/A			
35439	CW	16.093 [408.76]		N/A				N/A			
819822	CCW	16.312 [414.33]		814642	CCW	16.375 [415.92]		N/A			
819823	CW	16.312 [414.33]		814643	CW	16.375 [415.92]		N/A			
N/A				814074	CCW	16.595 [421.51]		N/A			
N/A				814075	CW	16.595 [421.51]		N/A			
1009210	CCW	16.657 [423.09]		N/A				N/A			
1009211	CW	16.657 [423.09]		N/A				N/A			
817396	CCW	16.792 [426.52]		N/A				N/A			
817397	CW	16.792 [426.52]		N/A				N/A			
43818	CCW	17.062 [433.37]		816494	CCW	17.065 [433.45]		N/A			
43819	CW	17.062 [433.37]		816495	CW	17.065 [433.45]		N/A			
818428	CCW	17.562 [446.07]		818430	CCW	17.625 [447.67]		N/A			
818429	CW	17.562 [446.07]		818431	CW	17.625 [447.67]		N/A			
815424	CCW	17.752 [450.90]		817636	CCW	17.815 [452.50]		N/A			
815425	CW	17.752 [450.90]		817637	CW	17.815 [452.50]		N/A			
813872	CCW	18.062 [458.77]		816656	CCW	18.125 [460.38]		N/A			
813873	CW	18.062 [458.77]		816657	CW	18.125 [460.38]		N/A			
818228	CCW	18.188 [461.98]		818226	CCW	18.250 [463.55]		N/A			
818229	CW	18.188 [461.98]		818227	CW	18.250 [463.55]		N/A			
N/A				816550	CCW	18.625 [473.08]		N/A			
N/A				816551	CW	18.625 [473.08]		N/A			
814028	CCW	18.812 [477.82]		975036	CCW	18.875 [479.43]		N/A			
814029	CW	18.812 [477.82]		975037	CW	18.875 [479.43]		N/A			
89163	CCW	19.625 [498.48]		813690	CCW	19.687 [500.05]		N/A			
89164	CW	19.625 [498.48]		813691	CW	19.687 [500.05]		N/A			
N/A				818494	CCW	20.125 [511.18]		N/A			
N/A				818495	CW	20.125 [511.18]		N/A			
89934	CCW	21.125 [536.58]		811282	CCW	21.188 [538.18]		N/A			
89935	CW	21.125 [536.58]		811283	CW	21.188 [538.18]		N/A			
N/A				818132	CCW	22.125 [561.98]		N/A			
N/A				818133	CW	22.125 [561.98]		N/A			
N/A				818762	CCW	22.500 [563.88]		N/A			
N/A				818763	CW	22.500 [563.88]		N/A			

Air Chamber Mounting Brackets 15" x 4" – Standard and Extended Service Brakes (pages 30–32)

For Models: EB-150-4L & ES-150-4L



CCW = Counterclockwise Rotation

CW = Clockwise Rotation

Note: Brackets listed by part number.

Standard Part No.	"A" Bracket Angle Bracket Type	"B" Barrel Length in (mm)	"C" Slack Length in (mm)	"D" Offset in (mm)
819356	60 CCW	5.77	5.5	1.50
819357	60 CW	(146.507)	(140)	(38.100)
1008928	90 CCW	5.77	5.5	1.50
1008929	90 CW	(146.507)	(140)	(38.100)
816126	100 CCW	5.77	5.5	1.50
816127	100 CW	(146.507)	(140)	(38.100)
808806	305 CCW	5.77	5.5	1.50
808807	305 CW	(146.507)	(140)	(38.100)
*1005934	305 CW	5.77	5.5	1.50
*1005935	305 CW	(146.507)	(140)	(38.100)
*1005936	310 CCW	5.77	5.5	1.50
*1005937	310 CW	(146.507)	(140)	(38.100)
1005942	312 CCW	5.77	5.5	1.50
1005943	312 CW	(146.507)	(140)	(38.100)
1005944	323 CCW	5.77	5.5	1.50
1005945	323 CW	(146.507)	(140)	(38.100)
809064	58 CCW	5.99	5.5	1.50
809065	58 CW	(152.375)	(140)	(38.100)
1008182	288 CCW	5.99	5.5	1.50
1008183	288 CW	(152.375)	(140)	(38.100)
1006942	302 CCW	5.99	5.5	1.50
1006943	302 CW	(152.375)	(140)	(38.100)
1008378	310 CCW	5.99	5.5	1.50
1008379	310 CW	(152.375)	(140)	(38.100)
806620	316 CCW	5.99	5.5	1.50
806621	316 CW	(152.375)	(140)	(38.100)

*Note: These brackets use 15.88 mm (.25") offset brake adjusters. All others use straight brake adjusters.

Air Chamber Mounting Brackets 15" x 4" – Standard and Extended Service Brakes (pages 30–32)

For Models: EB-150-4L & ES-150-4L

Standard Part No.	"A" Bracket Angle Bracket Type	"B" Barrel Length in (mm)	"C" Slack Length in (mm)	"D" Offset in (mm)
813066	330 CCW	5.99	5.5	1.50
813067	330 CW	(152.375)	(140)	(38.100)
818204	70 CCW	6.40	5.5	1.50
818205	70 CW	(162.509)	(140)	(38.100)
1008536	79 CCW	6.40	5.5	1.50
1008537	79 CW	(162.509)	(140)	(38.100)
1008416	299 CCW	6.40	5.5	1.50
1008417	299 CW	(162.509)	(140)	(38.100)
814510	305 CCW	6.40	5.5	1.50
814511	305 CW	(162.509)	(140)	(38.100)
973836	312 CCW	6.40	5.5	1.50
973837	312 CW	(162.509)	(140)	(38.100)
814714	316 CCW	6.40	5.5	1.50
814715	316 CW	(162.509)	(140)	(38.100)
974728	7 CCW	6.22	5.5	1.50
974729	7 CW	(157.861)	(140)	(38.100)
*810754	305 CCW	6.22	5.5	1.50
*810755	305 CW	(157.861)	(140)	(38.100)
818544	58 CCW	6.76	5.5	1.50
818545	58 CW	(171.780)	(140)	(38.100)
973994	105 CCW	6.76	5.5	1.50
973995	105 CW	(171.780)	(140)	(38.100)
973838	305 CCW	6.76	5.5	1.50
973839	305 CW	(171.780)	(140)	(38.100)
*1008008	312 CCW	6.76	5.5	1.50
*1008009	312 CW	(171.780)	(140)	(38.100)
974506	45 CCW	7.02	5.5	1.50
974507	45 CW	(178.257)	(140)	(38.100)
818666	58 CCW	7.02	5.5	1.50
818667	58 CW	(178.257)	(140)	(38.100)
814476	105 CCW	7.02	5.5	1.50
814477	105 CW	(178.257)	(140)	(38.100)
810566	300 CCW	7.02	5.5	1.50
810567	300 CW	(178.257)	(140)	(38.100)
813878	305 CCW	7.02	5.5	1.50
813879	305 CW	(178.257)	(140)	(38.100)
1006862	323 CCW	7.02	5.5	1.50
1006863	323 CW	(178.257)	(140)	(38.100)
807994	323 CCW	7.39	5.5	1.50
807995	323 CW	(187.655)	(140)	(38.100)
975184	37 CCW	7.62	5.5	1.50
975185	37 CW	(193.472)	(140)	(38.100)
809476	58 CCW	7.62	5.5	1.50
809477	58 CW	(193.472)	(140)	(38.100)

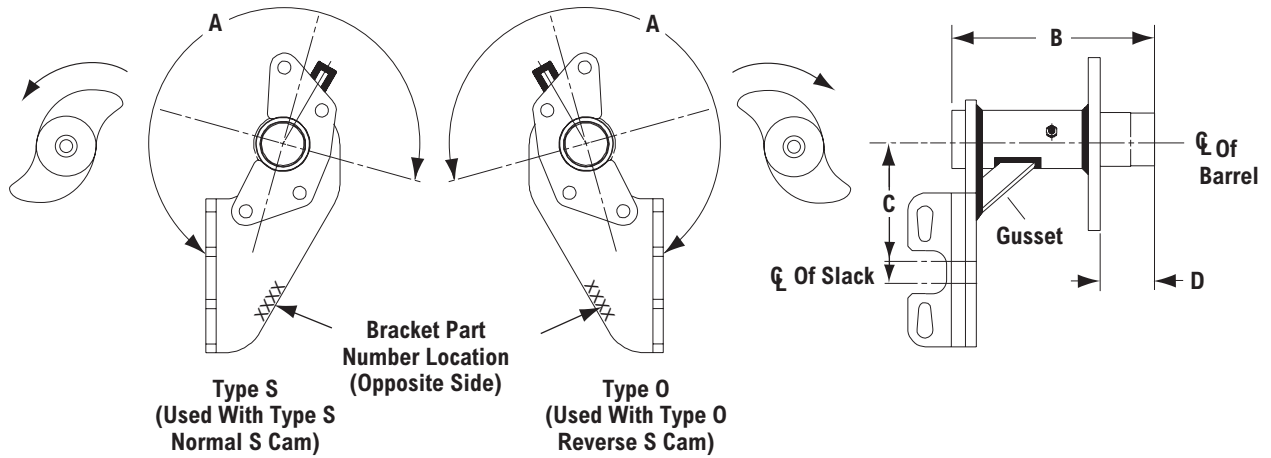
*Note: These brackets use 15.88 mm (.25") offset brake adjusters. All others use straight brake adjusters.

**Air Chamber Mounting Brackets 15" x 4" – Standard and Extended Service Brakes (pages 30–32)****For Models: EB-150-4L & ES-150-4L**

Standard Part No.	“A” Bracket Angle Bracket Type	“B” Barrel Length in (mm)	“C” Slack Length in (mm)	“D” Offset in (mm)
974066	306 CCW	7.62	5.5	1.50
974067	306 CW	(193.472)	(140)	(38.100)
975192	323 CCW	7.62	5.5	1.50
975193	323 CW	(193.472)	(140)	(38.100)
818994	323 CCW	7.39	5.5	1.50
818995	323 CW	(187.655)	(140)	(38.100)
975388	323 CCW	8.39	5.5	1.50
975389	323 CW	(213.055)	(140)	(38.100)
811954	58 CCW	8.73	5.5	1.50
811955	58 CW	(221.793)	(140)	(38.100)
811858	69 CCW	8.73	5.5	1.50
811859	69 CW	(8.732)	(140)	(38.100)
815362	90 CCW	8.73	5.5	1.50
815363	90 CW	(8.732)	(140)	(38.100)
809746	130 CCW	8.73	5.5	1.50
809747	130 CW	(8.732)	(140)	(38.100)
815314	300 CCW	8.73	5.5	1.50
815315	300 CW	(8.732)	(140)	(38.100)
1006856	308 CCW	8.73	5.5	1.50
1006857	308 CW	(8.732)	(140)	(38.100)
1006860	323 CCW	8.73	5.5	1.50
1006861	323 CW	(8.732)	(140)	(38.100)
809152	334 CCW	8.73	5.5	1.50
809153	334 CW	(8.732)	(140)	(38.100)
1008244	144 CCW	8.96	5.5	1.50
1008245	144 CW	(227.203)	(140)	(38.100)

Air Chamber Mounting Brackets 15" x 4" – Standard and Extended Service Brakes (pages 33–34)

For Models: ES-150-4D



Standard Part No.	Gusseted Part No.	"A" Bracket Angle Bracket Type	"B" Barrel Length in (mm)	"C" Slack Length in (mm)	"D" Offset in (mm)
974632	N/A	288 CCW	5.938	5.5	1.75/2.00
974633	N/A	288 CW	(150.83)	(140)	(44.450)/(50.800)
975140	N/A	200 CCW	6.375	5.5	1.75/2.00
975141	N/A	200 CW	(161.93)	(140)	(44.450)/(50.800)
974894	N/A	205 CCW	6.375	5.5	1.75/2.00
974895	N/A	205 CW	(161.93)	(140)	(44.450)/(50.800)
974876	N/A	302 CCW	6.375	5.5	1.75/2.00
974877	N/A	302 CW	(161.93)	(140)	(44.450)/(50.800)
975134	N/A	316 CCW	6.375	5.5	1.75/2.00
975135	N/A	316 CW	(161.93)	(140)	(44.450)/(50.800)
N/A	973506	303 CCW	6.750	5.5	1.75
N/A	973507	303 CW	(171.45)	(140)	(44.450)
975656	N/A	305 CCW	6.750	5.5	1.75/2.00
975657	N/A	305 CW	(171.45)	(140)	(44.450)/(50.800)
974904	N/A	324 CCW	7.063	5.5	1.75/2.00
974905	N/A	324 CW	(179.40)	(140)	(44.450)/(50.800)
975560	N/A	46 CCW	7.063	5.5	1.75/2.00
975561	N/A	46 CW	(179.40)	(140)	(44.450)/(50.800)
975564	N/A	36 CCW	7.196	5.5	1.75/2.00
975565	N/A	36 CW	(182.78)	(140)	(44.450)/(50.800)
975590	N/A	46 CCW	7.196	5.5	1.75/2.00
975591	N/A	46 CW	(182.78)	(140)	(44.450)/(50.800)
975040	N/A	32 CCW	7.313	5.5	1.75/2.00
975041	N/A	32 CW	(185.75)	(140)	(44.450)/(50.800)
975224	N/A	58 CCW	7.313	5.5	1.75/2.00
975225	N/A	58 CW	(185.75)	(140)	(44.450)/(50.800)
975566	N/A	36 CCW	7.696	5.5	1.75/2.00
975567	N/A	36 CW	(195.48)	(140)	(44.450)/(50.800)
975592	N/A	46 CCW	7.696	5.5	1.75/2.00
975593	N/A	46 CW	(195.48)	(140)	(44.450)/(50.800)
975536	N/A	314 CCW	7.813	5.5	1.75/2.00
975537	N/A	314 CW	(198.45)	(140)	(44.450)/(50.800)



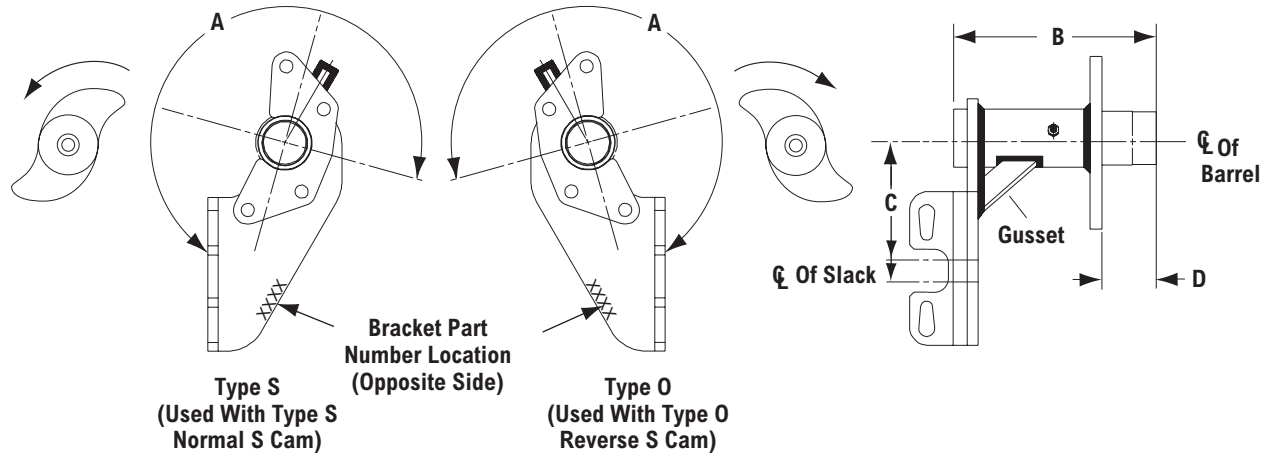
Air Chamber Mounting Brackets 15" x 4" – Standard and Extended Service Brakes (pages 33–34)

For Models: ES-150-4D

Standard Part No.	Gussetted Part No.	“A” Bracket Angle Bracket Type	“B” Barrel Length in (mm)	“C” Slack Length in (mm)	“D” Offset in (mm)
975562	N/A	36 CCW	7.813	5.5	1.75/2.00
975563	N/A	36 CW	(198.45)	(140)	(44.450)/(50.800)
975568	N/A	36 CCW	7.946	5.5	1.75/2.00
975569	N/A	36 CW	(201.83)	(140)	(44.450)/(50.800)
975594	N/A	46 CCW	7.946	5.5	1.75/2.00
975595	N/A	46 CW	(201.83)	(140)	(44.450)/(50.800)
975570	N/A	36 CCW	8.066	5.5	1.75/2.00
975571	N/A	36 CW	(204.88)	(140)	(44.450)/(50.800)
975596	N/A	46 CCW	8.066	5.5	1.75/2.00
975597	N/A	46 CW	(204.88)	(140)	(44.450)/(50.800)
975572	N/A	36 CCW	8.188	5.5	1.75/2.00
975573	N/A	36 CW	(207.98)	(140)	(44.450)/(50.800)
975598	N/A	46 CCW	8.188	5.5	1.75/2.00
975599	N/A	46 CW	(207.98)	(140)	(44.450)/(50.800)
N/A	817552	0 CCW	8.313	5.5	1.75
N/A	871553	0 CW	(211.15)	(140)	(44.450)
816062	N/A	105 CCW	8.313	5.5	1.75
816063	N/A	105 CW	(211.15)	(140)	(44.450)
816808	N/A	306 CCW	8.313	5.5	1.75
816809	N/A	306 CW	(211.15)	(140)	(44.450)
975612	N/A	324 CCW	8.313	5.5	1.75/2.00
975613	N/A	324 CW	(211.15)	(140)	(44.450)/(50.800)
818692	N/A	324 CCW	8.500	5.5	1.75
818693	N/A	324 CW	(215.90)	(140)	(44.450)
975226	N/A	58 CCW	8.500	5.5	1.75/2.00
975227	N/A	58 CW	(215.90)	(140)	(44.450)/(50.800)
975404	N/A	90 CCW	8.500	5.5	1.75/2.00
975405	N/A	90 CW	(215.90)	(140)	(44.450)/(50.800)
975574	N/A	36 CCW	9.196	5.5	1.75/2.00
975575	N/A	36 CW	(233.58)	(140)	(44.450)/(50.800)
975600	N/A	46 CCW	9.196	5.5	1.75/2.00
975601	N/A	46 CW	(233.58)	(140)	(44.450)/(50.800)
N/A	818000	0 CCW	9.313	5.5	1.75
N/A	818001	0 CW	(236.55)	(140)	(44.450)
816334	N/A	105 CCW	9.313	5.5	1.75
816335	N/A	105 CW	(236.55)	(140)	(44.450)
817278	N/A	306 CCW	9.313	5.5	1.75
817279	N/A	306 CW	(236.55)	(140)	(44.450)
N/A	818476	306 CCW	9.313	5.5	1.75
N/A	818477	306 CW	(236.55)	(140)	(44.450)

Air Chamber Mounting Brackets 15" x 6" (pages 35–36)

For Model: ES-150-6D



CCW = Counterclockwise Rotation

CW = Clockwise Rotation

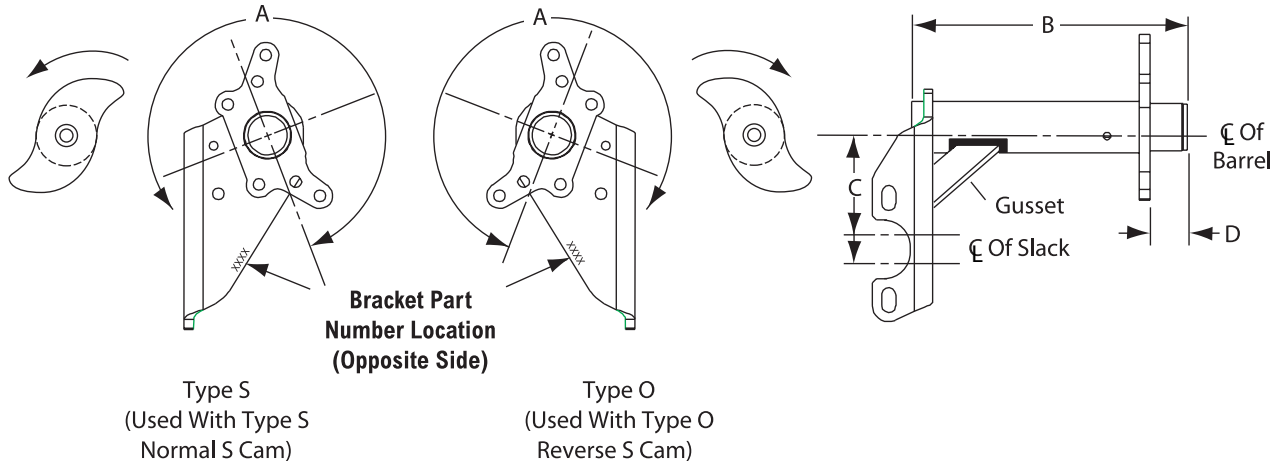
Standard Part No.	Gussetted Part No.	"A" Bracket Angle Bracket Type	"B" Barrel Length in (mm)	"C" Slack Length in (mm)	"D" Offset in (mm)
974632	N/A	288 CCW	5.94	5.5	1.72
974633	N/A	288 CW	(150.83)	(140)	(43.663)
975140	N/A	200 CCW	6.38	5.5	1.72
975141	N/A	200 CW	(161.925)	(140)	(43.663)
974894	N/A	205 CCW	6.38	5.5	1.72
974895	N/A	205 CW	(161.925)	(140)	(43.663)
974876	N/A	302 CCW	6.38	5.5	1.72
974877	N/A	302 CW	(161.925)	(140)	(43.663)
975134	N/A	316 CCW	6.38	5.5	1.72
975135	N/A	316 CW	(161.925)	(140)	(43.663)
N/A	973506	303 CCW	6.75	5.5	2.22
N/A	973507	303 CW	(171.450)	(140)	(56.363)
N/A	817552	0 CCW	8.31	5.5	2.22
N/A	817553	0 CW	(211.150)	(140)	(56.363)
816062	N/A	105 CCW	8.31	5.5	2.22
816063	N/A	105 CW	(211.150)	(140)	(56.363)
816808	N/A	306 CCW	8.31	5.5	2.22
816809	N/A	306 CW	(211.150)	(140)	(56.363)
818692	N/A	324 CCW	8.50	5.5	2.22
818693	N/A	324 CW	(215.900)	(140)	(56.363)
N/A	818000	0 CCW	9.31	5.5	2.22
N/A	818001	0 CW	(236.550)	(140)	(56.363)
816334	N/A	105 CCW	9.31	5.5	2.22
816335	N/A	105 CW	(236.550)	(140)	(56.363)
817278	818476	306 CCW	9.31	5.5	2.22
817279	818477	306 CW	(236.550)	(140)	(56.363)
974904	N/A	324 CCW	7.06	5.5	1.72
974905	N/A	324 CW	(179.400)	(140)	(43.663)

**Air Chamber Mounting Brackets 15" x 6" (pages 35–36)****For Model: ES-150-6D**

Standard Part No.	Gussetted Part No.	“A” Bracket Angle Bracket Type	“B” Barrel Length in (mm)	“C” Slack Length in (mm)	“D” Offset in (mm)
975040	N/A	32 CCW	7.31	5.5	1.72
975041	N/A	32 CW	(185.750)	(140)	(43.663)
975224	N/A	58 CCW	7.31	5.5	1.72
975225	N/A	58 CW	(185.750)	(140)	(43.663)
975226	N/A	58 CCW	8.50	5.5	1.72
975227	N/A	58 CW	(215.900)	(140)	(43.663)
975404	N/A	90 CCW	8.50	5.5	1.72
975405	N/A	90 CW	(215.900)	(140)	(43.663)

Air Chamber Mounting Brackets 16.5" – Standard and Extended Service Brakes w/ Stamped Spider (pages 37–57) (Brackets For Cast Spider See Pages 58-80)

For Models: EB-165-5L, 6L, 7L, 8L & ES-165-5L, 6L, 7L, 8L



CCW = Counterclockwise Rotation
 CW = Clockwise Rotation
 Note: Brackets listed by part number.

Standard Part No.	Gusseted Part No.	"A" Bracket Angle Bracket Type	"B" Barrel Length in (mm)	"C" Slack Length in (mm)	"D" Offset in (mm)
813694	N/A	50 CCW	5.38	5.5 - 6.0	1.75
813695	N/A	50 CW	(136.550)	(140 - 152)	(44.450)
808640	N/A	69 CCW	5.38	5.5	1.75
808641	N/A	69 CW	(136.550)	(140)	(44.450)
807948	N/A	75 CCW	5.38	5.5	1.75
807949	N/A	75 CW	(136.550)	(140)	(44.450)
818380	N/A	150 CCW	5.38	5.5 - 6.0	1.75
818381	N/A	150 CW	(136.550)	(140 - 152)	(44.450)
N/A	818630	90 CCW	6.38	5.5	1.75
N/A	818631	90 CW	(161.950)	(140)	(44.450)
809768	810577	330 CCW	6.38	5.5	1.75
809769	810576	330 CW	(161.950)	(140)	(44.450)
809202	N/A	69 CCW	6.72	5.5	1.75
809203	N/A	69 CW	(170.650)	(140)	(44.450)
N/A	974764	45 CCW	6.75	5.5	1.75
N/A	974765	45 CW	(171.450)	(140)	(44.450)
N/A	975066	45 CCW	7.06	5.5	1.75
N/A	975067	45 CW	(179.350)	(140)	(44.450)
818622	N/A	288 CCW	7.06	5.5	1.75
818623	N/A	288 CW	(179.350)	(140)	(44.450)
817498	975147	300 CCW	7.06	5.5	1.75
817499	975146	300 CW	(179.350)	(140)	(44.450)
811896	973657	312 CCW	7.06	5.5	1.75
811897	973656	312 CW	(179.350)	(140)	(44.450)



Air Chamber Mounting Brackets 16.5" – Standard and Extended Service Brakes w/ Stamped Spider
 (pages 37–57) (Brackets For Cast Spider See Pages 58-80)

For Models: EB-165-5L, 6L, 7L, 8L & ES-165-5L, 6L, 7L, 8L

Standard Part No.	Gusseted Part No.	"A" Bracket Angle Bracket Type	"B" Barrel Length in (mm)	"C" Slack Length in (mm)	"D" Offset in (mm)
N/A	973797	323 CW	7.06	5.5 - 6.0	1.75
N/A	973796	323 CCW	(179.350)	(140 - 152)	(44.450)
807746	N/A	90 CCW	7.56	5.5	1.75
807747	N/A	90 CW	(192.150)	(140)	(44.450)
N/A	818980	58 CCW	7.78	5.5	1.75
N/A	818981	58 CW	(197.650)	(140)	(44.450)
975428	N/A	304 CCW	7.78	5.5	1.75
975429	N/A	304 CW	(197.650)	(140)	(44.450)
N/A	973511	306 CW	7.78	5.5	1.75
N/A	973510	306 CCW	(197.650)	(140)	(44.450)
N/A	974317	310 CW	7.78	5.5	1.75
N/A	974316	310 CCW	(197.650)	(140)	(44.450)
975620	974635	314 CCW	7.78	5.5	1.75
975621	974634	314 CW	(197.650)	(140)	(44.450)
806034	N/A	56 CCW	7.97	5.5 - 6.0	1.75
806035	N/A	56 CW	(202.450)	(140 - 152)	(44.450)
N/A	818488	79 CCW	7.97	5.5 - 6.0	1.75
N/A	818489	79 CW	(202.450)	(140 - 152)	(44.450)
N/A	973623	340 CW	7.97	5.5 - 6.0	1.75
N/A	973622	340 CCW	(202.450)	(140 - 152)	(44.450)
807592	N/A	56 CCW	8.19	5.0 - 5.5	1.75
807593	N/A	56 CW	(207.950)	(127 - 140)	(44.450)
811580	N/A	56 CCW	8.19	5.5 - 6.0	1.75
811581	N/A	56 CW	(207.950)	(140 - 152)	(44.450)
973538	N/A	56 CCW	8.19	5.5 - 6.0	1.75
973539	N/A	56 CW	(207.950)	(140 - 152)	(44.450)
N/A	814890	56 CCW	8.19	5.0 - 5.5	1.75
N/A	814891	56 CW	(207.950)	(127 - 140)	(44.450)
N/A	819536	56 CCW	8.19	5.5 - 6.0	1.75
N/A	973548	56 CCW	(207.950)	(140 - 152)	(44.450)
N/A	819537	56 CW	8.19	5.5 - 6.0	1.75
N/A	973549	56 CW	(207.950)	(140 - 152)	(44.450)
N/A	818297	306 CW	8.19	5.5	1.75
N/A	818296	306 CCW	(207.950)	(140)	(44.450)
804436	N/A	56 CCW	8.31	5.5 - 6.0	1.75
804437	N/A	56 CW	(211.150)	(140 - 152)	(44.450)
N/A	812526	56 CCW	8.31	5.5 - 6.0	1.75
N/A	812527	56 CW	(211.150)	(140 - 152)	(44.450)
N/A	973794	58 CCW	8.31	5.5	1.75
N/A	973795	58 CW	(211.150)	(140)	(44.450)
805408	N/A	62 CCW	8.31	5.5 - 6.0	1.75
805409	N/A	62 CW	(211.150)	(140 - 152)	(44.450)
806012	N/A	62 CCW	8.31	5.5 - 6.0	1.75
806013	N/A	62 CW	(211.150)	(140 - 152)	(44.450)

Air Chamber Mounting Brackets 16.5" – Standard and Extended Service Brakes w/ Stamped Spider
 (pages 37–57) (Brackets For Cast Spider See Pages 58-80)

For Models: EB-165-5L, 6L, 7L, 8L & ES-165-5L, 6L, 7L, 8L

Standard Part No.	Gussetted Part No.	"A" Bracket Angle Bracket Type	"B" Barrel Length in (mm)	"C" Slack Length in (mm)	"D" Offset in (mm)
811700	N/A	63 CCW	8.31	5.5 - 6.0	1.75
811701	N/A	63 CW	(211.150)	(140 - 152)	(44.450)
811708	N/A	63 CCW	8.31	5.0 - 5.5	1.75
811709	N/A	63 CW	(211.150)	(127 - 140)	(44.450)
804420	N/A	69 CCW	8.31	5.5 - 6.0	1.75
804421	N/A	69 CW	(211.150)	(140 - 152)	(44.450)
975052	817036	90 CCW	8.31	5.5 - 6.0	1.75
975053	817037	90 CW	(211.150)	(140 - 152)	(44.450)
819298	N/A	300 CCW	8.31	5.5	1.75
819299	N/A	300 CW	(211.150)	(140)	(44.450)
814626	817489	308 CCW	8.31	5.5 - 6.0	1.75
814627	817488	308 CW	(211.150)	(140 - 152)	(44.450)
N/A	819891	308 CW	8.31	5.5	1.75
N/A	819890	308 CCW	(211.150)	(140)	(44.450)
N/A	818875	310 CW	8.31	5.5	1.75
N/A	818874	310 CCW	(211.150)	(140)	(44.450)
974954	975029	323 CCW	8.31	5.5 - 6.0	1.75
974955	975028	323 CW	(211.150)	(140 - 152)	(44.450)
N/A	819959	325 CW	8.31	5.5	1.75
N/A	819958	325 CCW	(211.150)	(140)	(44.450)
816278	817229	333 CCW	8.31	5.5 - 6.0	1.75
816279	817228	333 CW	(211.150)	(140 - 152)	(44.450)
816558	817077	333 CCW	8.31	5.5	1.75
816559	817076	333 CW	(211.150)	(140)	(44.450)
819494	N/A	56 CCW	8.50	5.5 - 6.0	1.75
819495	N/A	56 CW	(215.950)	(140 - 152)	(44.450)
973540	N/A	56 CCW	8.50	5.5 - 6.0	1.75
973541	N/A	56 CW	(215.950)	(140 - 152)	(44.450)
N/A	819538	56 CCW	8.50	5.5 - 6.0	1.75
N/A	973550	56 CCW	(215.950)	(140 - 152)	(44.450)
N/A	819539	56 CW	8.50	5.5 - 6.0	1.75
N/A	973551	56 CW	(215.950)	(140 - 152)	(44.450)
810364	N/A	65 CCW	8.50	5.5 - 6.0	1.75
810365	N/A	65 CW	(215.950)	(140 - 152)	(44.450)
812146	N/A	65 CCW	8.50	5.0 - 5.5	1.75
12147	N/A	65 CW	(215.950)	(127 - 140)	(44.450)
973544	N/A	65 CCW	8.50	5.5 - 6.0	1.75
973545	N/A	65 CW	(215.950)	(140 - 152)	(44.450)
N/A	819540	65 CCW	8.50	5.5 - 6.0	1.75
N/A	973552	65 CCW	(215.950)	(140 - 152)	(44.450)
N/A	819541	65 CW	8.50	5.5 - 6.0	1.75
N/A	973553	65 CW	(215.950)	(140 - 152)	(44.450)
819140	819421	323 CCW	8.50	5.5 - 6.0	1.75
819141	819420	323 CW	(215.950)	(140 - 152)	(44.450)



Air Chamber Mounting Brackets 16.5" – Standard and Extended Service Brakes w/ Stamped Spider
 (pages 37–57) (Brackets For Cast Spider See Pages 58-80)

For Models: EB-165-5L, 6L, 7L, 8L & ES-165-5L, 6L, 7L, 8L

Standard Part No.	Gusseted Part No.	"A" Bracket Angle Bracket Type	"B" Barrel Length in (mm)	"C" Slack Length in (mm)	"D" Offset in (mm)
807708	N/A	56 CCW	8.56	5.0 - 5.5	1.75
807709	N/A	56 CW	(217.550)	(127 - 140)	(44.450)
811582	N/A	56 CCW	8.56	5.5 - 6.0	1.75
811583	N/A	56 CW	(217.550)	(140 - 152)	(44.450)
N/A	814892	56 CCW	8.56	5.0 - 5.5	1.75
N/A	814893	56 CW	(217.550)	(127 - 140)	(44.450)
811704	N/A	63 CCW	8.56	5.0 - 5.5	1.75
811705	N/A	63 CW	(217.550)	(127 - 140)	(44.450)
N/A	814894	63 CCW	8.56	5.0 - 5.5	1.75
N/A	814895	63 CW	(217.550)	(127 - 140)	(44.450)
807736	N/A	65 CCW	8.56	5.0 - 5.5	1.75
807737	N/A	65 CW	(217.550)	(127 - 140)	(44.450)
807734	N/A	80 CCW	8.56	5.0 - 5.5	1.75
807735	N/A	80 CW	(217.550)	(127 - 140)	(44.450)
N/A	816147	306 CW	8.56	5.5	1.75
N/A	816146	306 CCW	(217.550)	(140)	(44.450)
N/A	974115	306 CW	8.67	5.5	1.75
N/A	974114	306 CCW	(220.250)	(140)	(44.450)
N/A	974209	325 CW	8.67	5.5	1.75
N/A	974208	325 CCW	(220.250)	(140)	(44.450)
813210	N/A	14 CCW	8.97	5.5 - 6.0	1.75
813211	N/A	14 CW	(227.850)	(140 - 152)	(44.450)
805000	N/A	45 CCW	8.97	5.5 - 6.0	1.75
805001	N/A	45 CW	(227.850)	(140 - 152)	(44.450)
804234	N/A	50 CCW	8.97	5.5 - 6.0	1.75
804235	N/A	50 CW	(227.850)	(140 - 152)	(44.450)
975632	N/A	53 CCW	8.97	5.5 - 6.0	1.75
975633	N/A	53 CW	(227.850)	(140 - 152)	(44.450)
805004	N/A	56 CCW	8.97	5.5 - 6.0	1.75
805005	N/A	56 CW	(227.850)	(140 - 152)	(44.450)
N/A	817174	56 CCW	8.97	5.5 - 6.0	1.75
N/A	817175	56 CW	(227.850)	(140 - 152)	(44.450)
N/A	973758	58 CCW	8.97	5.5	1.75
N/A	973759	58 CW	(227.850)	(140)	(44.450)
N/A	818978	58 CCW	8.97	5.5 - 6.0	1.75
N/A	818979	58 CW	(227.850)	(140 - 152)	(44.450)
804556	N/A	60 CCW	8.97	5.5 - 6.0	1.75
804557	N/A	60 CW	(227.850)	(140 - 152)	(44.450)
804484	N/A	69 CCW	8.97	5.5 - 6.0	1.75
804485	N/A	69 CW	(227.850)	(140 - 152)	(44.450)
N/A	816214	69 CCW	8.97	5.5 - 6.0	1.75
N/A	816215	69 CW	(227.850)	(140 - 152)	(44.450)
975634	N/A	72 CCW	8.97	5.5 - 6.0	1.75
975635	N/A	72 CW	(227.850)	(140 - 152)	(44.450)

Air Chamber Mounting Brackets 16.5" – Standard and Extended Service Brakes w/ Stamped Spider (pages 37–57) (Brackets For Cast Spider See Pages 58-80)

For Models: EB-165-5L, 6L, 7L, 8L & ES-165-5L, 6L, 7L, 8L

Standard Part No.	Gussetted Part No.	"A" Bracket Angle Bracket Type	"B" Barrel Length in (mm)	"C" Slack Length in (mm)	"D" Offset in (mm)
806308	814600	79 CCW	8.97	5.5 - 6.0	1.75
806309	814601	79 CW	(227.850)	(140 - 152)	(44.450)
819534	N/A	83 CCW	8.97	5.5 - 6.0	1.75
819535	N/A	83 CW	(227.850)	(140 - 152)	(44.450)
819496	814936	88 CCW	8.97	5.5 - 6.0	1.75
819497	814937	88 CW	(227.850)	(140 - 152)	(44.450)
N/A	814896	88 CCW	8.97	5.0 - 5.5	1.75
N/A	814897	88 CW	(227.850)	(127 - 140)	(44.450)
805150	816212	90 CCW	8.97	5.5 - 6.0	1.75
805151	816213	90 CW	(227.850)	(140 - 152)	(44.450)
805002	819448	95 CCW	8.97	5.5 - 6.0	1.75
805003	819449	95 CW	(227.850)	(140 - 152)	(44.450)
804486	N/A	101 CCW	8.97	5.5 - 6.0	1.75
804487	N/A	101 CW	(227.850)	(140 - 152)	(44.450)
805006	819446	105 CCW	8.97	5.5 - 6.0	1.75
805007	819447	105 CW	(227.850)	(140 - 152)	(44.450)
819498	814938	111 CCW	8.97	5.5 - 6.0	1.75
819499	814939	111 CW	(227.850)	(140 - 152)	(44.450)
N/A	814898	111 CCW	8.97	5.0 - 5.5	1.75
N/A	814899	111 CW	(227.850)	(127 - 140)	(44.450)
804902	N/A	115 CCW	8.97	5.5 - 6.0	1.75
804903	N/A	115 CW	(227.850)	(140 - 152)	(44.450)
973730	N/A	325 CCW	8.97	5.5	1.75
973731	N/A	325 CW	(227.850)	(140)	(44.450)
N/A	807452	0 CCW	9.31	5.5 - 6.0	1.75
N/A	807453	0 CW	(236.550)	(140 - 152)	(44.450)
815130	N/A	14 CCW	9.31	5.5 - 6.0	1.75
815131	N/A	14 CW	(236.550)	(140 - 152)	(44.450)
974930	N/A	26 CCW	9.31	5.5 - 6.0	1.75
974931	N/A	26 CW	(236.550)	(140 - 152)	(44.450)
804430	808018	30 CCW	9.31	5.5 - 6.0	1.75
804431	808019	30 CW	(236.550)	(140 - 152)	(44.450)
N/A	814900	30 CCW	9.31	5.0 - 5.5	1.75
N/A	814901	30 CW	(236.550)	(127 - 140)	(44.450)
804586	N/A	35 CCW	9.31	5.5 - 6.0	1.75
804587	N/A	35 CW	(236.550)	(140 - 152)	(44.450)
974914	975260	40 CCW	9.31	5.5 - 6.0	1.75
974915	975261	40 CW	(236.550)	(140 - 152)	(44.450)
804202	N/A	42 CCW	9.31	5.5 - 6.0	1.75
804203	N/A	42 CW	(236.550)	(140 - 152)	(44.450)
807418	N/A	42 CCW	9.31	5.0 - 5.5	1.75
807419	N/A	42 CW	(236.550)	(127 - 140)	(44.450)
805944	819172	45 CCW	9.31	5.5 - 6.0	1.75
805945	819173	45 CW	(236.550)	(140 - 152)	(44.450)



Air Chamber Mounting Brackets 16.5" – Standard and Extended Service Brakes w/ Stamped Spider (pages 37–57) (Brackets For Cast Spider See Pages 58-80)

For Models: EB-165-5L, 6L, 7L, 8L & ES-165-5L, 6L, 7L, 8L

Standard Part No.	Gussetted Part No.	"A" Bracket Angle Bracket Type	"B" Barrel Length in (mm)	"C" Slack Length in (mm)	"D" Offset in (mm)
819936	N/A	45 CCW	9.31	5.0	1.75
819937	N/A	45 CW	(236.550)	(127)	(44.450)
953726	N/A	45 CCW	9.31	5.0 - 5.5	1.75
953727	N/A	45 CW	(236.550)	(127 - 140)	(44.450)
809994	815154	50 CCW	9.31	5.5 - 6.0	1.75
809995	815155	50 CW	(236.550)	(140 - 152)	(44.450)
975310	815154	50 CCW	9.31	5.5 - 6.0	1.75
975311	815155	50 CW	(236.550)	(140 - 152)	(44.450)
805952	810612	53 CCW	9.31	5.5 - 6.0	1.75
805953	810613	53 CW	(236.550)	(140 - 152)	(44.450)
804204	N/A	54 CCW	9.31	5.5 - 6.0	1.75
804205	N/A	54 CW	(236.550)	(140 - 152)	(44.450)
819500	812762	55 CCW	9.31	5.5 - 6.0	1.75
819501	812763	55 CW	(236.550)	(140 - 152)	(44.450)
804310	973536	60 CCW	9.31	5.5 - 6.0	1.75
804311	973537	60 CW	(236.550)	(140 - 152)	(44.450)
805950	973536	60 CCW	9.31	5.5 - 6.0	1.75
805951	973537	60 CW	(236.550)	(140 - 152)	(44.450)
804434	810610	65 CCW	9.31	5.5 - 6.0	1.75
804435	810611	65 CW	(236.550)	(140 - 152)	(44.450)
805942	810610	65 CCW	9.31	5.5 - 6.0	1.75
05943	810611	65 CW	(236.550)	(140 - 152)	(44.450)
807874	N/A	65 CCW	9.31	5.0 - 5.5	1.75
807875	N/A	65 CW	(236.550)	(127 - 140)	(44.450)
805182	N/A	69 CCW	9.31	5.5 - 6.0	1.75
805183	N/A	69 CW	(236.550)	(140 - 152)	(44.450)
805948	N/A	69 CCW	9.31	5.5 - 6.0	1.75
805949	N/A	69 CW	(236.550)	(140 - 152)	(44.450)
807416	N/A	69 CCW	9.31	5.0 - 5.5	1.75
807417	N/A	69 CW	(236.550)	(127 - 140)	(44.450)
819934	N/A	69 CCW	9.31	5.0	1.75
819935	N/A	69 CW	(236.550)	(127)	(44.450)
953742	N/A	69 CCW	9.31	5.0 - 5.5	1.75
953743	N/A	69 CW	(236.550)	(127 - 140)	(44.450)
N/A	809662	69 CCW	9.31	5.5 - 6.0	1.75
N/A	819168	69 CCW	(236.550)	(140 - 152)	(44.450)
N/A	809663	69 CW	9.31	5.5 - 6.0	1.75
N/A	819169	69 CW	(236.550)	(140 - 152)	(44.450)
804258	812230	72 CCW	9.31	5.5 - 6.0	1.75
804259	812231	72 CW	(236.550)	(140 - 152)	(44.450)
806454	N/A	72 CCW	9.31	5.0 - 5.5	1.75
806455	N/A	72 CW	(236.550)	(127 - 140)	(44.450)
804152	815156	75 CCW	9.31	5.5 - 6.0	1.75
804153	815157	75 CW	(236.550)	(140 - 152)	(44.450)

Air Chamber Mounting Brackets 16.5" – Standard and Extended Service Brakes w/ Stamped Spider (pages 37–57) (Brackets For Cast Spider See Pages 58-80)

For Models: EB-165-5L, 6L, 7L, 8L & ES-165-5L, 6L, 7L, 8L

Standard Part No.	Gussetted Part No.	"A" Bracket Angle Bracket Type	"B" Barrel Length in (mm)	"C" Slack Length in (mm)	"D" Offset in (mm)
N/A	811842	77 CCW	9.31	5.5 - 6.0	1.75
N/A	811843	77 CW	(236.550)	(140 - 152)	(44.450)
N/A	806462	79 CCW	9.31	5.5 - 6.0	1.75
N/A	806463	79 CW	(236.550)	(140 - 152)	(44.450)
804450	N/A	80 CCW	9.31	5.5 - 6.0	1.75
804451	N/A	80 CW	(236.550)	(140 - 152)	(44.450)
804458	N/A	80 CCW	9.31	5.5 - 6.0	1.75
804459	N/A	80 CW	(236.550)	(140 - 152)	(44.450)
N/A	974076	84 CCW	9.31	5.5 - 6.0	1.75
N/A	974077	84 CW	(236.550)	(140 - 152)	(44.450)
811308	812772	85 CCW	9.31	5.5 - 6.0	1.75
811309	812773	85 CW	(236.550)	(140 - 152)	(44.450)
804432	812774	90 CCW	9.31	5.5 - 6.0	1.75
804433	812775	90 CW	(236.550)	(140 - 152)	(44.450)
807784	N/A	90 CCW	9.31	5.0 - 5.5	1.75
807785	N/A	90 CW	(236.550)	(127 - 140)	(44.450)
818614	812774	90 CCW	9.31	5.5 - 6.0	1.75
818615	812775	90 CW	(236.550)	(140 - 152)	(44.450)
816356	N/A	93 CCW	9.31	5.5 - 6.0	1.75
816357	N/A	93 CW	(236.550)	(140 - 152)	(44.450)
808584	N/A	94 CCW	9.31	5.5 - 6.0	1.75
808585	N/A	94 CW	(236.550)	(140 - 152)	(44.450)
804516	N/A	96 CCW	9.31	5.5 - 6.0	1.75
804517	N/A	96 CW	(236.550)	(140 - 152)	(44.450)
805964	N/A	98 CCW	9.31	5.5 - 6.0	1.75
805965	N/A	98 CW	(236.550)	(140 - 152)	(44.450)
806174	N/A	99 CCW	9.31	5.5 - 6.0	1.75
806175	N/A	99 CW	(236.550)	(140 - 152)	(44.450)
806088	816760	102 CCW	9.31	5.5 - 6.0	1.75
806089	816761	102 CW	(236.550)	(140 - 152)	(44.450)
818616	816760	102 CCW	9.31	5.5 - 6.0	1.75
818617	816761	102 CW	(236.550)	(140 - 152)	(44.450)
804464	819200	108 CCW	9.31	5.5 - 6.0	1.75
804465	819201	108 CW	(236.550)	(140 - 152)	(44.450)
805968	819200	108 CCW	9.31	5.5 - 6.0	1.75
805969	819201	108 CW	(236.550)	(140 - 152)	(44.450)
806176	N/A	111 CCW	9.31	5.5 - 6.0	1.75
806177	N/A	111 CW	(236.550)	(140 - 152)	(44.450)
806834	N/A	113 CCW	9.31	5.5 - 6.0	1.75
806835	N/A	113 CW	(236.550)	(140 - 152)	(44.450)
805966	N/A	114 CCW	9.31	5.5 - 6.0	1.75
805967	N/A	114 CW	(236.550)	(140 - 152)	(44.450)
804254	N/A	116 CCW	9.31	5.5 - 6.0	1.75
804255	N/A	116 CW	(236.550)	(140 - 152)	(44.450)



Air Chamber Mounting Brackets 16.5" – Standard and Extended Service Brakes w/ Stamped Spider
 (pages 37–57) (Brackets For Cast Spider See Pages 58-80)

For Models: EB-165-5L, 6L, 7L, 8L & ES-165-5L, 6L, 7L, 8L

Standard Part No.	Gussetted Part No.	Bracket Angle Bracket Type	"B" Barrel Length in (mm)	"C" Slack Length in (mm)	"D" Offset in (mm)
N/A	973590	127 CCW	9.31	5.5	1.75
N/A	973591	127 CW	(236.550)	(140)	(44.450)
N/A	819887	308 CW	9.31	5.5	1.75
N/A	819886	308 CCW	(236.550)	(140)	(44.450)
819218	N/A	315 CCW	9.31	5.5 - 6.0	1.75
819219	N/A	315 CW	(236.550)	(140 - 152)	(44.450)
N/A	813839	325 CW	9.31	5.5	1.75
N/A	813838	325 CCW	(236.550)	(140)	(44.450)
N/A	974069	330 CW	9.31	5.5	1.75
N/A	974068	330 CCW	(236.550)	(140)	(44.450)
N/A	974141	330 CW	9.31	5.5 - 6.0	1.75
N/A	974140	330 CCW	(236.550)	(140 - 152)	(44.450)
811612	973835	335 CCW	9.31	5.5 - 6.0	1.75
811613	973834	335 CW	(236.550)	(140 - 152)	(44.450)
N/A	815989	345 CW	9.31	5.5 - 6.0	1.75
N/A	815988	345 CCW	(236.550)	(140 - 152)	(44.450)
805902	N/A	348 CCW	9.31	5.5 - 6.0	1.75
805903	N/A	348 CW	(236.550)	(140 - 152)	(44.450)
814414	N/A	56 CCW	9.67	5.5 - 6.0	1.75
814415	N/A	56 CW	(245.650)	(140 - 152)	(44.450)
N/A	815482	56 CCW	9.67	5.5 - 6.0	1.75
N/A	815483	56 CW	(245.650)	(140 - 152)	(44.450)
814416	N/A	69 CCW	9.67	5.5 - 6.0	1.75
814417	N/A	69 CW	(245.650)	(140 - 152)	(44.450)
N/A	815484	69 CCW	9.67	5.5 - 6.0	1.75
N/A	815485	69 CW	(245.650)	(140 - 152)	(44.450)
N/A	974016	86 CCW	9.67	5.5 - 6.0	1.75
N/A	974017	86 CW	(245.650)	(140 - 152)	(44.450)
N/A	817915	346 CW	9.67	5.5 - 6.0	1.75
N/A	817914	346 CCW	(245.650)	(140 - 152)	(44.450)
N/A	819584	38 CCW	10.00	5.5 - 6.0	1.75
N/A	819585	38 CW	(254.050)	(140 - 152)	(44.450)
N/A	819586	52 CCW	10.00	5.5 - 6.0	1.75
N/A	819587	52 CW	(254.050)	(140 - 152)	(44.450)
N/A	814568	100 CCW	10.00	5.5 - 6.0	1.75
N/A	814569	100 CW	(254.050)	(140 - 152)	(44.450)
N/A	974055	346 CW	10.00	5.5 - 6.0	1.75
N/A	974054	346 CCW	(254.050)	(140 - 152)	(44.450)
806166	N/A	42 CCW	10.25	5.5 - 6.0	1.75
806167	N/A	42 CW	(260.350)	(140 - 152)	(44.450)
812852	N/A	45 CCW	10.25	5.5 - 6.0	1.75
812853	N/A	45 CW	(260.350)	(140 - 152)	(44.450)
973674	N/A	45 CCW	10.25	5.0	1.75
973675	N/A	45 CW	(260.350)	(127)	(44.450)

Air Chamber Mounting Brackets 16.5" – Standard and Extended Service Brakes w/ Stamped Spider
 (pages 37–57) (Brackets For Cast Spider See Pages 58-80)

For Models: EB-165-5L, 6L, 7L, 8L & ES-165-5L, 6L, 7L, 8L

Standard Part No.	Gussetted Part No.	"A" Bracket Angle Bracket Type	"B" Barrel Length in (mm)	"C" Slack Length in (mm)	"D" Offset in (mm)
974004	N/A	45 CCW	10.25	5.5 - 6.0	1.75
974005	N/A	45 CW	(260.350)	(140 - 152)	(44.450)
N/A	817588	45 CCW	10.25	5.5 - 6.0	1.75
N/A	817589	45 CW	(260.350)	(140 - 152)	(44.450)
804158	N/A	53 CCW	10.25	5.5 - 6.0	1.75
804159	N/A	53 CW	(260.350)	(140 - 152)	(44.450)
804208	N/A	54 CCW	10.25	5.5 - 6.0	1.75
804209	N/A	54 CW	(260.350)	(140 - 152)	(44.450)
N/A	818982	58 CCW	10.25	5.5	1.75
N/A	818983	58 CW	(260.350)	(140)	(44.450)
812850	N/A	60 CCW	10.25	5.5 - 6.0	1.75
812851	N/A	60 CW	(260.350)	(140 - 152)	(44.450)
973672	N/A	60 CCW	10.25	5.0	1.75
973673	N/A	60 CW	(260.350)	(127)	(44.450)
974002	N/A	60 CCW	10.25	5.5 - 6.0	1.75
974003	N/A	60 CW	(260.350)	(140 - 152)	(44.450)
N/A	975210	60 CCW	10.25	5.5 - 6.0	1.75
N/A	975211	60 CW	(260.350)	(140 - 152)	(44.450)
806164	N/A	63 CCW	10.25	5.5 - 6.0	1.75
806165	N/A	63 CW	(260.350)	(140 - 152)	(44.450)
812854	N/A	65 CCW	10.25	5.5 - 6.0	1.75
812855	N/A	65 CW	(260.350)	(140 - 152)	(44.450)
973680	N/A	65 CCW	10.25	5.0	1.75
973681	N/A	65 CW	(260.350)	(127)	(44.450)
N/A	819126	65 CCW	10.25	5.5 - 6.0	1.75
N/A	819127	65 CW	(260.350)	(140 - 152)	(44.450)
804180	N/A	69 CCW	10.25	5.5 - 6.0	1.75
804181	N/A	69 CW	(260.350)	(140 - 152)	(44.450)
805186	973670	72 CCW	10.25	5.5 - 6.0	1.75
805187	973671	72 CW	(260.350)	(140 - 152)	(44.450)
804754	N/A	79 CCW	10.25	5.5 - 6.0	1.75
804755	N/A	79 CW	(260.350)	(140 - 152)	(44.450)
805348	817638	90 CCW	10.25	5.5 - 6.0	1.75
805349	817639	90 CW	(260.350)	(140 - 152)	(44.450)
805322	973820	105 CCW	10.25	5.5 - 6.0	1.75
805323	973821	105 CW	(260.350)	(140 - 152)	(44.450)
816646	973820	105 CCW	10.25	5.5 - 6.0	1.75
816647	973821	105 CW	(260.350)	(140 - 152)	(44.450)
N/A	818976	115 CCW	10.25	5.5	1.75
N/A	818977	115 CW	(260.350)	(140)	(44.450)
805660	N/A	120 CCW	10.25	5.5 - 6.0	1.75
805661	N/A	120 CW	(260.350)	(140 - 152)	(44.450)
N/A	819962	127 CCW	10.25	5.5	1.75
N/A	819963	127 CW	(260.350)	(140)	(44.450)



Air Chamber Mounting Brackets 16.5" – Standard and Extended Service Brakes w/ Stamped Spider
(pages 37–57) (Brackets For Cast Spider See Pages 58-80)

For Models: EB-165-5L, 6L, 7L, 8L & ES-165-5L, 6L, 7L, 8L

Standard Part No.	Gusseted Part No.	"A" Bracket Angle Bracket Type	"B" Barrel Length in (mm)	"C" Slack Length in (mm)	"D" Offset in (mm)
805592	N/A	147 CCW	10.25	5.5 - 6.0	1.75
805593	N/A	147 CW	(260.350)	(140 - 152)	(44.450)
805308	N/A	157 CCW	10.25	5.5 - 6.0	1.75
805309	N/A	157 CW	(260.350)	(140 - 152)	(44.450)
805628	815947	315 CCW	10.25	5.5 - 6.0	1.75
805629	815946	315 CW	(260.350)	(140 - 152)	(44.450)
805624	816645	335 CCW	10.25	5.5 - 6.0	1.75
805625	816644	335 CW	(260.350)	(140 - 152)	(44.450)
N/A	953573	345 CW	10.25	5.5 - 6.0	1.75
N/A	953572	345 CCW	(260.350)	(140 - 152)	(44.450)
806764	N/A	45 CCW	10.56	5.5 - 6.0	1.75
806765	N/A	45 CW	(268.350)	(140 - 152)	(44.450)
806762	N/A	60 CCW	10.56	5.5 - 6.0	1.75
806763	N/A	60 CW	(268.350)	(140 - 152)	(44.450)
814080	N/A	53 CCW	10.75	5.5 - 6.0	1.75
814081	N/A	53 CW	(273.050)	(140 - 152)	(44.450)
975032	N/A	53 CCW	10.75	5.0	1.75
975033	N/A	53 CW	(273.050)	(127)	(44.450)
804884	N/A	56 CCW	10.75	5.5 - 6.0	1.75
804885	N/A	56 CW	(273.050)	(140 - 152)	(44.450)
804446	N/A	69 CCW	10.75	5.5 - 6.0	1.75
804447	N/A	69 CW	(273.050)	(140 - 152)	(44.450)
805110	N/A	69 CCW	10.75	5.5 - 6.0	1.75
805111	N/A	69 CW	(273.050)	(140 - 152)	(44.450)
N/A	812768	69 CCW	10.75	5.5 - 6.0	1.75
N/A	812769	69 CW	(273.050)	(140 - 152)	(44.450)
805364	N/A	72 CCW	10.75	5.5 - 6.0	1.75
805365	N/A	72 CW	(273.050)	(140 - 152)	(44.450)
975030	N/A	72 CCW	10.75	5.0	1.75
975031	N/A	72 CW	(273.050)	(127)	(44.450)
814864	N/A	75 CCW	10.75	5.5 - 6.0	1.75
814865	N/A	75 CW	(273.050)	(140 - 152)	(44.450)
805670	N/A	79 CCW	10.75	5.5 - 6.0	1.75
805671	N/A	79 CW	(273.050)	(140 - 152)	(44.450)
804584	N/A	80 CCW	10.75	5.5 - 6.0	1.75
804585	N/A	80 CW	(273.050)	(140 - 152)	(44.450)
805638	818342	85 CCW	10.75	5.5 - 6.0	1.75
805639	818343	85 CW	(273.050)	(140 - 152)	(44.450)
806326	816210	90 CCW	10.75	5.5 - 6.0	1.75
806327	816211	90 CW	(273.050)	(140 - 152)	(44.450)
812160	N/A	95 CCW	10.75	5.5 - 6.0	1.75
812161	N/A	95 CW	(273.050)	(140 - 152)	(44.450)
812162	N/A	105 CCW	10.75	5.5 - 6.0	1.75
812163	N/A	105 CW	(273.050)	(140 - 152)	(44.450)

Air Chamber Mounting Brackets 16.5" – Standard and Extended Service Brakes w/ Stamped Spider (pages 37–57) (Brackets For Cast Spider See Pages 58-80)

For Models: EB-165-5L, 6L, 7L, 8L & ES-165-5L, 6L, 7L, 8L

Standard Part No.	Gussetted Part No.	"A" Bracket Angle Bracket Type	"B" Barrel Length in (mm)	"C" Slack Length in (mm)	"D" Offset in (mm)
812164	N/A	315 CCW	10.75	5.5 - 6.0	1.75
812165	N/A	315 CW	(273.050)	(140 - 152)	(44.450)
N/A	974074	50 CCW	11.00	5.5	1.75
N/A	974075	50 CW	(279.450)	(140)	(44.450)
953666	N/A	54 CCW	11.00	5.5 - 6.0	1.75
953667	N/A	54 CW	(279.450)	(140 - 152)	(44.450)
814108	N/A	63 CCW	11.00	5.5 - 6.0	1.75
814109	N/A	63 CW	(279.450)	(140 - 152)	(44.450)
814110	N/A	65 CCW	11.00	5.5 - 6.0	1.75
814111	N/A	65 CW	(279.450)	(140 - 152)	(44.450)
975054	N/A	65 CCW	11.00	5.0	1.75
975055	N/A	65 CW	(279.450)	(127)	(44.450)
807634	N/A	69 CCW	11.00	5.5 - 6.0	1.75
807635	N/A	69 CW	(279.450)	(140 - 152)	(44.450)
N/A	813038	69 CCW	11.00	5.5 - 6.0	1.75
N/A	813039	69 CW	(279.450)	(140 - 152)	(44.450)
810564	N/A	77 CCW	11.00	5.5 - 6.0	1.75
810565	N/A	77 CW	(279.450)	(140 - 152)	(44.450)
807632	816052	79 CCW	11.00	5.5 - 6.0	1.75
807633	816053	79 CW	(279.450)	(140 - 152)	(44.450)
810562	N/A	90 CCW	11.00	5.5 - 6.0	1.75
810563	N/A	90 CW	(279.450)	(140 - 152)	(44.450)
806690	N/A	42 CCW	11.22	5.5 - 6.0	1.75
806691	N/A	42 CW	(284.950)	(140 - 152)	(44.450)
814758	N/A	53 CCW	11.22	5.5 - 6.0	1.75
814759	N/A	53 CW	(284.950)	(140 - 152)	(44.450)
N/A	975430	53 CCW	11.22	5.5 - 6.0	1.75
N/A	975431	53 CW	(284.950)	(140 - 152)	(44.450)
808272	N/A	54 CCW	11.22	5.5 - 6.0	1.75
808273	N/A	54 CW	(284.950)	(140 - 152)	(44.450)
806808	N/A	56 CCW	11.22	5.5 - 6.0	1.75
806809	N/A	56 CW	(284.950)	(140 - 152)	(44.450)
815208	N/A	56 CCW	11.22	5.0 - 5.5	1.75
815209	N/A	56 CW	(284.950)	(127 - 140)	(44.450)
973546	N/A	56 CCW	11.22	5.5 - 6.0	1.75
973547	N/A	56 CW	(284.950)	(140 - 152)	(44.450)
N/A	814910	56 CCW	11.22	5.0 - 5.5	1.75
N/A	814911	56 CW	(284.950)	(127 - 140)	(44.450)
N/A	810346	56 CCW	11.22	5.5 - 6.0	1.75
N/A	973554	56 CCW	(284.950)	(140 - 152)	(44.450)
N/A	810347	56 CW	11.22	5.5 - 6.0	1.75
N/A	973555	56 CW	(284.950)	(140 - 152)	(44.450)
814788	N/A	60 CCW	11.22	5.5 - 6.0	1.75
814789	N/A	60 CW	(284.950)	(140 - 152)	(44.450)



Air Chamber Mounting Brackets 16.5" – Standard and Extended Service Brakes w/ Stamped Spider
 (pages 37–57) (Brackets For Cast Spider See Pages 58-80)

For Models: EB-165-5L, 6L, 7L, 8L & ES-165-5L, 6L, 7L, 8L

Standard Part No.	Gussetted Part No.	"A" Bracket Angle Bracket Type	"B" Barrel Length in (mm)	"C" Slack Length in (mm)	"D" Offset in (mm)
N/A	975330	60 CCW	11.22	5.5 - 6.0	1.75
N/A	975331	60 CW	(284.950)	(140 - 152)	(44.450)
806692	N/A	63 CCW	11.22	5.5 - 6.0	1.75
806693	N/A	63 CW	(284.950)	(140 - 152)	(44.450)
N/A	975760	64 CCW	11.22	5.5 - 6.0	1.75
N/A	975761	64 CW	(284.950)	(140 - 152)	(44.450)
804722	N/A	65 CCW	11.22	5.5 - 6.0	1.75
804723	N/A	65 CW	(284.950)	(140 - 152)	(44.450)
804488	N/A	69 CCW	11.22	5.5 - 6.0	1.75
804489	N/A	69 CW	(284.950)	(140 - 152)	(44.450)
805108	N/A	69 CCW	11.22	5.5 - 6.0	1.75
805109	N/A	69 CW	(284.950)	(140 - 152)	(44.450)
811400	N/A	69 CCW	11.22	5.0 - 5.5	1.75
811401	N/A	69 CW	(284.950)	(127 - 140)	(44.450)
N/A	810344	69 CCW	11.22	5.5 - 6.0	1.75
N/A	810345	69 CW	(284.950)	(140 - 152)	(44.450)
805582	814656	72 CCW	11.22	5.5 - 6.0	1.75
805583	814657	72 CW	(284.950)	(140 - 152)	(44.450)
805330	975630	75 CCW	11.22	5.5 - 6.0	1.75
805331	975631	75 CW	(284.950)	(140 - 152)	(44.450)
804826	N/A	80 CCW	11.22	5.5 - 6.0	1.75
804827	N/A	80 CW	(284.950)	(140 - 152)	(44.450)
808250	N/A	80 CCW	11.22	5.0 - 5.5	1.75
808251	N/A	80 CW	(284.950)	(127 - 140)	(44.450)
N/A	975010	80 CCW	11.22	5.5 - 6.0	1.75
N/A	975011	80 CW	(284.950)	(140 - 152)	(44.450)
819506	819508	84 CCW	11.22	5.5 - 6.0	1.75
819507	819509	84 CW	(284.950)	(140 - 152)	(44.450)
807160	819542	90 CCW	11.22	5.5 - 6.0	1.75
807161	819543	90 CW	(284.950)	(140 - 152)	(44.450)
807164	N/A	101 CCW	11.22	5.5 - 6.0	1.75
807165	N/A	101 CW	(284.950)	(140 - 152)	(44.450)
807444	N/A	285 CCW	11.22	5.5 - 6.0	1.75
807445	N/A	285 CW	(284.950)	(140 - 152)	(44.450)
806614	N/A	315 CCW	11.22	5.5 - 6.0	1.75
806615	N/A	315 CW	(284.950)	(140 - 152)	(44.450)
N/A	974644	50 CCW	11.50	5.5 - 6.0	1.75
N/A	974645	50 CW	(292.150)	(140 - 152)	(44.450)
811442	N/A	55 CCW	11.50	5.0 - 5.5	1.75
811443	N/A	55 CW	(292.150)	(127 - 140)	(44.450)
819502	N/A	55 CCW	11.50	5.5 - 6.0	1.75
819503	N/A	55 CW	(292.150)	(140 - 152)	(44.450)
N/A	819504	55 CCW	11.50	5.5 - 6.0	1.75
N/A	819505	55 CW	(292.150)	(140 - 152)	(44.450)

Air Chamber Mounting Brackets 16.5" – Standard and Extended Service Brakes w/ Stamped Spider (pages 37–57) (Brackets For Cast Spider See Pages 58-80)

For Models: EB-165-5L, 6L, 7L, 8L & ES-165-5L, 6L, 7L, 8L

Standard Part No.	Gussetted Part No.	"A" Bracket Angle Bracket Type	"B" Barrel Length in (mm)	"C" Slack Length in (mm)	"D" Offset in (mm)
N/A	975398	64 CCW	11.50	5.5 - 6.0	1.75
N/A	975399	64 CW	(292.150)	(140 - 152)	(44.450)
808922	N/A	69 CCW	11.50	5.5 - 6.0	1.75
808923	N/A	69 CW	(292.150)	(140 - 152)	(44.450)
974640	N/A	72 CCW	11.50	5.5 - 6.0	1.75
974641	N/A	72 CW	(292.150)	(140 - 152)	(44.450)
811122	N/A	55 CCW	11.63	5.0 - 5.5	1.75
811123	N/A	55 CW	(295.450)	(127 - 140)	(44.450)
N/A	814916	55 CCW	11.63	5.0 - 5.5	1.75
N/A	814917	55 CW	(295.450)	(127 - 140)	(44.450)
814560	N/A	56 CCW	11.63	5.0 - 5.5	1.75
814561	N/A	56 CW	(295.450)	(127 - 140)	(44.450)
975204	N/A	65 CCW	11.63	5.5 - 6.0	1.75
975205	N/A	65 CW	(295.450)	(140 - 152)	(44.450)
N/A	975416	65 CCW	11.63	5.0	1.75
N/A	975417	65 CW	(295.450)	(127)	(44.450)
N/A	975414	65 CCW	11.63	5.5 - 6.0	1.75
N/A	975415	65 CW	(295.450)	(140 - 152)	(44.450)
809858	N/A	69 CCW	11.63	5.5 - 6.0	1.75
809859	N/A	69 CW	(295.450)	(140 - 152)	(44.450)
814734	N/A	90 CCW	11.63	5.5 - 6.0	1.75
814735	N/A	90 CW	(295.450)	(140 - 152)	(44.450)
974474	N/A	30 CCW	12.06	5.5 - 6.0	1.75
974475	N/A	30 CW	(306.350)	(140 - 152)	(44.450)
974820	N/A	30 CCW	12.06	5.0	1.75
974821	N/A	30 CW	(306.350)	(127)	(44.450)
N/A	818908	30 CCW	12.06	5.5 - 6.0	1.75
N/A	818909	30 CW	(306.350)	(140 - 152)	(44.450)
805956	N/A	36 CCW	12.06	5.5 - 6.0	1.75
805957	N/A	36 CW	(306.350)	(140 - 152)	(44.450)
N/A	975002	42 CCW	12.06	5.5 - 6.0	1.75
N/A	975003	42 CW	(306.350)	(140 - 152)	(44.450)
819926	N/A	45 CCW	12.06	5.5 - 6.0	1.75
819927	N/A	45 CW	(306.350)	(140 - 152)	(44.450)
973678	N/A	45 CCW	12.06	5.0	1.75
973679	N/A	45 CW	(306.350)	(127)	(44.450)
N/A	975024	46 CCW	12.06	5.5 - 6.0	1.75
N/A	975025	46 CW	(306.350)	(140 - 152)	(44.450)
804460	N/A	50 CCW	12.06	5.5 - 6.0	1.75
804461	N/A	50 CW	(306.350)	(140 - 152)	(44.450)
805958	N/A	50 CCW	12.06	5.5 - 6.0	1.75
805959	N/A	50 CW	(306.350)	(140 - 152)	(44.450)
N/A	807424	50 CCW	12.06	5.5 - 6.0	1.75
N/A	811492	50 CCW	(306.350)	(140 - 152)	(44.450)



Air Chamber Mounting Brackets 16.5" – Standard and Extended Service Brakes w/ Stamped Spider
(pages 37–57) (Brackets For Cast Spider See Pages 58-80)

For Models: EB-165-5L, 6L, 7L, 8L & ES-165-5L, 6L, 7L, 8L

Standard Part No.	Gussetted Part No.	"A" Bracket Angle Bracket Type	"B" Barrel Length in (mm)	"C" Slack Length in (mm)	"D" Offset in (mm)
N/A	807425	50 CW	12.06	5.5 - 6.0	1.75
N/A	811493	50 CW	(306.350)	(140 - 152)	(44.450)
818916	N/A	53 CCW	12.06	5.5 - 6.0	1.75
818917	N/A	53 CW	(306.350)	(140 - 152)	(44.450)
819518	N/A	55 CCW	12.06	5.5 - 6.0	1.75
819519	N/A	55 CW	(306.350)	(140 - 152)	(44.450)
974818	N/A	55 CCW	12.06	5.0	1.75
974819	N/A	55 CW	(306.350)	(127)	(44.450)
N/A	975436	55 CCW	12.06	5.5 - 6.0	1.75
N/A	975437	55 CW	(306.350)	(140 - 152)	(44.450)
N/A	818900	55 CCW	12.06	5.0 - 5.5	1.75
N/A	818901	55 CW	(306.350)	(127 - 140)	(44.450)
N/A	818910	55 CCW	12.06	5.5 - 6.0	1.75
N/A	818911	55 CW	(306.350)	(140 - 152)	(44.450)
814570	N/A	60 CCW	12.06	5.5 - 6.0	1.75
814571	N/A	60 CW	(306.350)	(140 - 152)	(44.450)
973676	N/A	60 CCW	12.06	5.0	1.75
973677	N/A	60 CW	(306.350)	(127)	(44.450)
N/A	975328	60 CCW	12.06	5.5 - 6.0	1.75
N/A	975329	60 CW	(306.350)	(140 - 152)	(44.450)
819522	N/A	62 CCW	12.06	5.5 - 6.0	1.75
819523	N/A	62 CW	(306.350)	(140 - 152)	(44.450)
819520	N/A	65 CCW	12.06	5.5 - 6.0	1.75
819521	N/A	65 CW	(306.350)	(140 - 152)	(44.450)
819928	N/A	65 CCW	12.06	5.5 - 6.0	1.75
819929	N/A	65 CW	(306.350)	(140 - 152)	(44.450)
973682	N/A	65 CCW	12.06	5.0	1.75
973683	N/A	65 CW	(306.350)	(127)	(44.450)
N/A	818902	65 CCW	12.06	5.0 - 5.5	1.75
N/A	818903	65 CW	(306.350)	(127 - 140)	(44.450)
N/A	818914	65 CCW	12.06	5.5 - 6.0	1.75
N/A	818915	65 CW	(306.350)	(140 - 152)	(44.450)
805960	N/A	69 CCW	12.06	5.5 - 6.0	1.75
805961	N/A	69 CW	(306.350)	(140 - 152)	(44.450)
N/A	812770	69 CCW	12.06	5.0 - 5.5	1.75
N/A	812771	69 CW	(306.350)	(127 - 140)	(44.450)
N/A	807426	69 CCW	12.06	5.5 - 6.0	1.75
N/A	811494	69 CCW	(306.350)	(140 - 152)	(44.450)
N/A	807427	69 CW	12.06	5.5 - 6.0	1.75
N/A	811495	69 CW	(306.350)	(140 - 152)	(44.450)
975008	975776	76 CCW	12.06	5.5 - 6.0	1.75
975009	975777	76 CW	(306.350)	(140 - 152)	(44.450)
N/A	818904	80 CCW	12.06	5.0 - 5.5	1.75
N/A	818905	80 CW	(306.350)	(127 - 140)	(44.450)

Air Chamber Mounting Brackets 16.5" – Standard and Extended Service Brakes w/ Stamped Spider (pages 37–57) (Brackets For Cast Spider See Pages 58-80)

For Models: EB-165-5L, 6L, 7L, 8L & ES-165-5L, 6L, 7L, 8L

Standard Part No.	Gussetted Part No.	"A" Bracket Angle Bracket Type	"B" Barrel Length in (mm)	"C" Slack Length in (mm)	"D" Offset in (mm)
N/A	818912	80 CCW	12.06	5.5 - 6.0	1.75
N/A	818913	80 CW	(306.350)	(140 - 152)	(44.450)
N/A	975148	84 CCW	12.06	5.5 - 6.0	1.75
N/A	975149	84 CW	(306.350)	(140 - 152)	(44.450)
810710	810824	90 CCW	12.06	5.5 - 6.0	1.75
810711	810825	90 CW	(306.350)	(140 - 152)	(44.450)
818700	810824	90 CCW	12.06	5.5 - 6.0	1.75
818701	810825	90 CW	(306.350)	(140 - 152)	(44.450)
N/A	818906	90 CCW	12.06	5.0 - 5.5	1.75
N/A	818907	90 CW	(306.350)	(127 - 140)	(44.450)
806648	819032	95 CCW	12.06	5.5 - 6.0	1.75
806649	819033	95 CW	(306.350)	(140 - 152)	(44.450)
809968	N/A	100 CCW	12.06	5.5 - 6.0	1.75
809969	N/A	100 CW	(306.350)	(140 - 152)	(44.450)
818702	813698	102 CCW	12.06	5.5 - 6.0	1.75
818703	813699	102 CW	(306.350)	(140 - 152)	(44.450)
N/A	819034	105 CCW	12.06	5.5 - 6.0	1.75
N/A	819035	105 CW	(306.350)	(140 - 152)	(44.450)
817558	N/A	108 CCW	12.06	5.5 - 6.0	1.75
817559	N/A	108 CW	(306.350)	(140 - 152)	(44.450)
974132	N/A	22 CCW	12.37	5.5 - 6.0	1.75
974133	N/A	22 CW	(314.150)	(140 - 152)	(44.450)
N/A	974070	64 CCW	12.37	5.5 - 6.0	1.75
N/A	974071	64 CW	(314.150)	(140 - 152)	(44.450)
815708	N/A	88 CCW	12.37	5.5 - 6.0	1.75
815709	N/A	88 CW	(314.150)	(140 - 152)	(44.450)
807138	N/A	90 CCW	12.37	5.5 - 6.0	1.75
807139	N/A	90 CW	(314.150)	(140 - 152)	(44.450)
975246	975250	90 CCW	12.37	5.5 - 6.0	1.75
975247	975251	90 CW	(314.150)	(140 - 152)	(44.450)
N/A	819040	90 CCW	12.37	5.5 - 6.0	1.75
N/A	819041	90 CW	(314.150)	(140 - 152)	(44.450)
812718	N/A	30 CCW	12.56	5.5 - 6.0	1.75
812719	N/A	30 CW	(319.150)	(140 - 152)	(44.450)
N/A	814918	30 CCW	12.56	5.0 - 5.5	1.75
N/A	814919	30 CW	(319.150)	(127 - 140)	(44.450)
N/A	814940	30 CCW	12.56	5.5 - 6.0	1.75
N/A	814941	30 CW	(319.150)	(140 - 152)	(44.450)
814376	N/A	42 CCW	12.56	5.5 - 6.0	1.75
814377	N/A	42 CW	(319.150)	(140 - 152)	(44.450)
N/A	817916	42 CCW	12.56	5.5 - 6.0	1.75
N/A	817917	42 CW	(319.150)	(140 - 152)	(44.450)
817556	N/A	48 CCW	12.56	5.5 - 6.0	1.75
817557	N/A	48 CW	(319.150)	(140 - 152)	(44.450)



Air Chamber Mounting Brackets 16.5" – Standard and Extended Service Brakes w/ Stamped Spider
 (pages 37–57) (Brackets For Cast Spider See Pages 58-80)

For Models: EB-165-5L, 6L, 7L, 8L & ES-165-5L, 6L, 7L, 8L

Standard Part No.	Gusseted Part No.	"A" Bracket Angle Bracket Type	"B" Barrel Length in (mm)	"C" Slack Length in (mm)	"D" Offset in (mm)
N/A	817918	48 CCW	12.56	5.5 - 6.0	1.75
N/A	817919	48 CW	(319.150)	(140 - 152)	(44.450)
808916	N/A	53 CCW	12.56	5.5 - 6.0	1.75
808917	N/A	53 CW	(319.150)	(140 - 152)	(44.450)
N/A	812760	53 CCW	12.56	5.5 - 6.0	1.75
N/A	812761	53 CW	(319.150)	(140 - 152)	(44.450)
812716	N/A	55 CCW	12.56	5.5 - 6.0	1.75
812717	N/A	55 CW	(319.150)	(140 - 152)	(44.450)
N/A	814942	55 CCW	12.56	5.5 - 6.0	1.75
N/A	814943	55 CW	(319.150)	(140 - 152)	(44.450)
807104	N/A	60 CCW	12.56	5.5 - 6.0	1.75
807105	N/A	60 CW	(319.150)	(140 - 152)	(44.450)
808404	N/A	63 CCW	12.56	5.0 - 5.5	1.75
808405	N/A	63 CW	(319.150)	(127 - 140)	(44.450)
819666	N/A	63 CCW	12.56	5.5 - 6.0	1.75
819667	N/A	63 CW	(319.150)	(140 - 152)	(44.450)
N/A	814922	63 CCW	12.56	5.0 - 5.5	1.75
N/A	814923	63 CW	(319.150)	(127 - 140)	(44.450)
N/A	819668	63 CCW	12.56	5.5 - 6.0	1.75
N/A	819669	63 CW	(319.150)	(140 - 152)	(44.450)
808918	N/A	65 CCW	12.56	5.5 - 6.0	1.75
808919	N/A	65 CW	(319.150)	(140 - 152)	(44.450)
N/A	812766	65 CCW	12.56	5.5 - 6.0	1.75
N/A	812767	65 CW	(319.150)	(140 - 152)	(44.450)
809948	N/A	69 CCW	12.56	5.5 - 6.0	1.75
809949	N/A	69 CW	(319.150)	(140 - 152)	(44.450)
N/A	817920	69 CCW	12.56	5.5 - 6.0	1.75
N/A	817921	69 CW	(319.150)	(140 - 152)	(44.450)
812732	814944	80 CCW	12.56	5.5 - 6.0	1.75
812733	814945	80 CW	(319.150)	(140 - 152)	(44.450)
814660	814944	80 CCW	12.56	5.5 - 6.0	1.75
814661	814945	80 CW	(319.150)	(140 - 152)	(44.450)
810798	812776	90 CCW	12.56	5.5 - 6.0	1.75
810799	812777	90 CW	(319.150)	(140 - 152)	(44.450)
N/A	814928	90 CCW	12.56	5.0 - 5.5	1.75
N/A	814929	90 CW	(319.150)	(127 - 140)	(44.450)
807760	N/A	95 CCW	12.56	5.5 - 6.0	1.75
807761	N/A	95 CW	(319.150)	(140 - 152)	(44.450)
804444	N/A	30 CCW	12.81	5.5 - 6.0	1.75
804445	N/A	30 CW	(325.450)	(140 - 152)	(44.450)
N/A	812758	30 CCW	12.81	5.5 - 6.0	1.75
N/A	812759	30 CW	(325.450)	(140 - 152)	(44.450)
804442	N/A	55 CCW	12.81	5.5 - 6.0	1.75
804443	N/A	55 CW	(325.450)	(140 - 152)	(44.450)

Air Chamber Mounting Brackets 16.5" – Standard and Extended Service Brakes w/ Stamped Spider (pages 37–57) (Brackets For Cast Spider See Pages 58-80)

For Models: EB-165-5L, 6L, 7L, 8L & ES-165-5L, 6L, 7L, 8L

Standard Part No.	Gussetted Part No.	"A" Bracket Angle Bracket Type	"B" Barrel Length in (mm)	"C" Slack Length in (mm)	"D" Offset in (mm)
N/A	974804	55 CCW	12.81	5.5 - 6.0	1.75
N/A	974805	55 CW	(325.450)	(140 - 152)	(44.450)
N/A	814946	56 CCW	12.81	5.5 - 6.0	1.75
N/A	814947	56 CW	(325.450)	(140 - 152)	(44.450)
973942	N/A	60 CCW	12.81	5.5 - 6.0	1.75
973943	N/A	60 CW	(325.450)	(140 - 152)	(44.450)
811702	N/A	63 CCW	12.81	5.5 - 6.0	1.75
811703	N/A	63 CW	(325.450)	(140 - 152)	(44.450)
N/A	814948	63 CCW	12.81	5.5 - 6.0	1.75
N/A	814949	63 CW	(325.450)	(140 - 152)	(44.450)
804438	N/A	65 CCW	12.81	5.5 - 6.0	1.75
804439	N/A	65 CW	(325.450)	(140 - 152)	(44.450)
N/A	812592	65 CCW	12.81	5.5 - 6.0	1.75
N/A	812593	65 CW	(325.450)	(140 - 152)	(44.450)
810748	N/A	69 CCW	12.81	5.5 - 6.0	1.75
810749	N/A	69 CW	(325.450)	(140 - 152)	(44.450)
809588	N/A	75 CCW	12.81	5.5 - 6.0	1.75
809589	N/A	75 CW	(325.450)	(140 - 152)	(44.450)
812612	N/A	80 CCW	12.81	5.5 - 6.0	1.75
812613	N/A	80 CW	(325.450)	(140 - 152)	(44.450)
804440	812778	90 CCW	12.81	5.5 - 6.0	1.75
804441	812779	90 CW	(325.450)	(140 - 152)	(44.450)
812646	N/A	100 CCW	12.81	5.5 - 6.0	1.75
812647	N/A	100 CW	(325.450)	(140 - 152)	(44.450)
974618	N/A	315 CCW	12.81	5.5 - 6.0	1.75
974619	N/A	315 CW	(325.450)	(140 - 152)	(44.450)
813336	N/A	69 CCW	13.00	5.5 - 6.0	1.75
813337	N/A	69 CW	(330.200)	(140 - 152)	(44.450)
814222	N/A	69 CCW	13.00	5.0 - 5.5	1.75
814223	N/A	69 CW	(330.200)	(127 - 140)	(44.450)
953620	N/A	69 CCW	13.00	5.0 - 5.5	1.75
953621	N/A	69 CW	(330.200)	(127 - 140)	(44.450)
N/A	811438	69 CCW	13.00	5.5 - 6.0	1.75
N/A	811439	69 CW	(330.200)	(140 - 152)	(44.450)
973502	N/A	45 CCW	13.28	5.5 - 6.0	1.75
973503	N/A	45 CW	(337.350)	(140 - 152)	(44.450)
817626	N/A	50 CCW	13.28	5.5 - 6.0	1.75
817627	N/A	50 CW	(337.350)	(140 - 152)	(44.450)
953786	N/A	57 CCW	13.28	5.0 - 5.5	1.75
953787	N/A	57 CW	(337.350)	(127 - 140)	(44.450)
973504	N/A	69 CCW	13.28	5.5 - 6.0	1.75
973505	N/A	69 CW	(337.350)	(140 - 152)	(44.450)
N/A	816984	78 CCW	13.28	5.5 - 6.0	1.75
N/A	816985	78 CW	(337.350)	(140 - 152)	(44.450)



Air Chamber Mounting Brackets 16.5" – Standard and Extended Service Brakes w/ Stamped Spider
 (pages 37–57) (Brackets For Cast Spider See Pages 58-80)

For Models: EB-165-5L, 6L, 7L, 8L & ES-165-5L, 6L, 7L, 8L

Standard Part No.	Gusseted Part No.	"A" Bracket Angle Bracket Type	"B" Barrel Length in (mm)	"C" Slack Length in (mm)	"D" Offset in (mm)
814608	N/A	90 CCW	13.28	5.5 - 6.0	1.75
814609	N/A	90 CW	(337.350)	(140 - 152)	(44.450)
975254	N/A	90 CCW	13.28	5.5 - 6.0	1.75
975255	N/A	90 CW	(337.350)	(140 - 152)	(44.450)
973752	N/A	20 CCW	13.50	5.5 - 6.0	1.75
973753	N/A	20 CW	(342.950)	(140 - 152)	(44.450)
973750	N/A	40 CCW	13.50	5.5 - 6.0	1.75
973751	N/A	40 CW	(342.950)	(140 - 152)	(44.450)
813338	N/A	69 CCW	13.50	5.5 - 6.0	1.75
813339	N/A	69 CW	(342.950)	(140 - 152)	(44.450)
953614	N/A	69 CCW	13.50	5.0 - 5.5	1.75
953615	N/A	69 CW	(342.950)	(127 - 140)	(44.450)
N/A	811670	69 CCW	13.50	5.5 - 6.0	1.75
N/A	811671	69 CW	(342.950)	(140 - 152)	(44.450)
811630	N/A	10 CCW	13.69	5.5 - 6.0	1.75
811631	N/A	10 CW	(347.650)	(140 - 152)	(44.450)
814056	N/A	45 CCW	13.69	5.5 - 6.0	1.75
814057	N/A	45 CW	(347.650)	(140 - 152)	(44.450)
N/A	815868	45 CCW	13.69	5.5 - 6.0	1.75
N/A	815869	45 CW	(347.650)	(140 - 152)	(44.450)
816962	N/A	55 CCW	13.69	5.5 - 6.0	1.75
816963	N/A	55 CW	(347.650)	(140 - 152)	(44.450)
814058	N/A	60 CCW	13.69	5.5 - 6.0	1.75
814059	N/A	60 CW	(347.650)	(140 - 152)	(44.450)
N/A	815870	60 CCW	13.69	5.5 - 6.0	1.75
N/A	815871	60 CW	(347.650)	(140 - 152)	(44.450)
N/A	974920	69 CCW	13.69	5.5 - 6.0	1.75
N/A	974921	69 CW	(347.650)	(140 - 152)	(44.450)
805388	N/A	70 CCW	13.69	5.5 - 6.0	1.75
805389	N/A	70 CW	(347.650)	(140 - 152)	(44.450)
811126	819596	90 CCW	13.69	5.5 - 6.0	1.75
811127	819597	90 CW	(347.650)	(140 - 152)	(44.450)
N/A	817616	95 CCW	13.69	5.5 - 6.0	1.75
N/A	817617	95 CW	(347.650)	(140 - 152)	(44.450)
N/A	817618	105 CCW	13.69	5.5 - 6.0	1.75
N/A	817619	105 CW	(347.650)	(140 - 152)	(44.450)
N/A	819042	53 CCW	13.75	5.5 - 6.0	1.75
N/A	819043	53 CW	(349.250)	(140 - 152)	(44.450)
N/A	819044	60 CCW	13.75	5.5 - 6.0	1.75
N/A	819045	60 CW	(349.250)	(140 - 152)	(44.450)
N/A	817276	55 CCW	14.35	5.5 - 6.0	1.75
N/A	817277	55 CW	(364.350)	(140 - 152)	(44.450)
809120	N/A	69 CCW	14.35	5.5 - 6.0	1.75
809121	N/A	69 CW	(364.350)	(140 - 152)	(44.450)

Air Chamber Mounting Brackets 16.5" – Standard and Extended Service Brakes w/ Stamped Spider (pages 37–57) (Brackets For Cast Spider See Pages 58-80)

For Models: EB-165-5L, 6L, 7L, 8L & ES-165-5L, 6L, 7L, 8L

Standard Part No.	Gussetted Part No.	"A" Bracket Angle Bracket Type	"B" Barrel Length in (mm)	"C" Slack Length in (mm)	"D" Offset in (mm)
N/A	815180	78 CCW	14.35	5.5 - 6.0	1.75
N/A	815181	78 CW	(364.350)	(140 - 152)	(44.450)
815184	N/A	83 CCW	14.35	5.5 - 6.0	1.75
815185	N/A	83 CW	(364.350)	(140 - 152)	(44.450)
816834	N/A	90 CCW	14.35	5.5 - 6.0	1.75
816835	N/A	90 CW	(364.350)	(140 - 152)	(44.450)
974472	N/A	30 CCW	14.69	5.5 - 6.0	1.75
974473	N/A	30 CW	(373.150)	(140 - 152)	(44.450)
974824	N/A	30 CCW	14.69	5.0	1.75
974825	N/A	30 CW	(373.150)	(127)	(44.450)
N/A	975618	40 CCW	14.69	5.5 - 6.0	1.75
N/A	975619	40 CW	(373.150)	(140 - 152)	(44.450)
N/A	975004	42 CCW	14.69	5.5 - 6.0	1.75
N/A	975005	42 CW	(373.150)	(140 - 152)	(44.450)
805844	N/A	45 CCW	14.69	5.5 - 6.0	1.75
805845	N/A	45 CW	(373.150)	(140 - 152)	(44.450)
N/A	817922	45 CCW	14.69	5.5 - 6.0	1.75
N/A	817923	45 CW	(373.150)	(140 - 152)	(44.450)
809378	N/A	50 CCW	14.69	5.5 - 6.0	1.75
809379	N/A	50 CW	(373.150)	(140 - 152)	(44.450)
N/A	974646	50 CCW	14.69	5.5 - 6.0	1.75
N/A	974647	50 CW	(373.150)	(140 - 152)	(44.450)
805962	N/A	53 CCW	14.69	5.5 - 6.0	1.75
805963	N/A	53 CW	(373.150)	(140 - 152)	(44.450)
974470	N/A	55 CCW	14.69	5.5 - 6.0	1.75
974471	N/A	55 CW	(373.150)	(140 - 152)	(44.450)
974822	N/A	55 CCW	14.69	5.0	1.75
974823	N/A	55 CW	(373.150)	(127)	(44.450)
811118	N/A	56 CCW	14.69	5.0 - 5.5	1.75
811119	N/A	56 CW	(373.150)	(127 - 140)	(44.450)
N/A	975006	56 CCW	14.69	5.5 - 6.0	1.75
N/A	975007	56 CW	(373.150)	(140 - 152)	(44.450)
812122	N/A	65 CCW	14.69	5.0 - 5.5	1.75
812123	N/A	65 CW	(373.150)	(127 - 140)	(44.450)
805382	N/A	70 CCW	14.69	5.5 - 6.0	1.75
805383	N/A	70 CW	(373.150)	(140 - 152)	(44.450)
809834	819084	72 CCW	14.69	5.5 - 6.0	1.75
809835	819085	72 CW	(373.150)	(140 - 152)	(44.450)
812110	N/A	80 CCW	14.69	5.0 - 5.5	1.75
812111	N/A	80 CW	(373.150)	(127 - 140)	(44.450)
819524	N/A	84 CCW	14.69	5.5 - 6.0	1.75
819525	N/A	84 CW	(373.150)	(140 - 152)	(44.450)
819526	N/A	90 CCW	14.69	5.5 - 6.0	1.75
819527	N/A	90 CW	(373.150)	(140 - 152)	(44.450)



Air Chamber Mounting Brackets 16.5" – Standard and Extended Service Brakes w/ Stamped Spider
 (pages 37–57) (Brackets For Cast Spider See Pages 58-80)

For Models: EB-165-5L, 6L, 7L, 8L & ES-165-5L, 6L, 7L, 8L

Standard Part No.	Gussetted Part No.	"A" Bracket Angle Bracket Type	"B" Barrel Length in (mm)	"C" Slack Length in (mm)	"D" Offset in (mm)
806656	N/A	96 CCW	14.69	5.5 - 6.0	1.75
806657	N/A	96 CW	(373.150)	(140 - 152)	(44.450)
806818	N/A	101 CCW	14.69	5.5 - 6.0	1.75
806819	N/A	101 CW	(373.150)	(140 - 152)	(44.450)
805786	N/A	321 CCW	14.69	5.5 - 6.0	1.75
805787	N/A	321 CW	(373.150)	(140 - 152)	(44.450)
819528	N/A	55 CCW	15.44	5.5 - 6.0	1.75
819529	N/A	55 CW	(392.150)	(140 - 152)	(44.450)
N/A	975394	55 CCW	15.44	5.5 - 6.0	1.75
N/A	975395	55 CW	(392.150)	(140 - 152)	(44.450)
819530	N/A	65 CCW	15.44	5.5 - 6.0	1.75
819531	N/A	65 CW	(392.150)	(140 - 152)	(44.450)
N/A	819864	65 CCW	15.44	5.5 - 6.0	1.75
N/A	819865	65 CW	(392.150)	(140 - 152)	(44.450)
N/A	974996	72 CCW	15.44	5.5 - 6.0	1.75
N/A	974997	72 CW	(392.150)	(140 - 152)	(44.450)
N/A	819866	90 CCW	15.44	5.5 - 6.0	1.75
N/A	819867	90 CW	(392.150)	(140 - 152)	(44.450)
814846	N/A	56 CCW	15.75	5.0 - 5.5	1.75
814847	N/A	56 CW	(400.050)	(127 - 140)	(44.450)
813870	N/A	63 CCW	15.75	5.0 - 5.5	1.75
813871	N/A	63 CW	(400.050)	(127 - 140)	(44.450)
N/A	814934	63 CCW	15.75	5.0 - 5.5	1.75
N/A	814935	63 CW	(400.050)	(127 - 140)	(44.450)
N/A	819920	63 CCW	15.75	5.5 - 6.0	1.75
N/A	819921	63 CW	(400.050)	(140 - 152)	(44.450)
N/A	818234	79 CCW	15.88	5.5 - 6.0	1.75
N/A	818235	79 CW	(403.350)	(140 - 152)	(44.450)
819924	N/A	56 CCW	16.25	5.5 - 6.0	1.75
819925	N/A	56 CW	(412.750)	(140 - 152)	(44.450)
N/A	819840	56 CCW	16.25	5.5 - 6.0	1.75
N/A	819841	56 CW	(412.750)	(140 - 152)	(44.450)
819922	N/A	63 CCW	16.25	5.5 - 6.0	1.75
819923	N/A	63 CW	(412.750)	(140 - 152)	(44.450)
N/A	819838	63 CCW	16.25	5.5 - 6.0	1.75
N/A	819839	63 CW	(412.750)	(140 - 152)	(44.450)
816552	N/A	69 CCW	16.25	5.5 - 6.0	1.75
816553	N/A	69 CW	(412.750)	(140 - 152)	(44.450)
N/A	975662	69 CCW	16.25	5.5 - 6.0	1.75
N/A	975663	69 CW	(412.750)	(140 - 152)	(44.450)
814026	N/A	85 CCW	16.50	5.0 - 5.5	1.75
814027	N/A	85 CW	(419.150)	(127 - 140)	(44.450)
818260	N/A	56 CCW	17.31	5.0 - 5.5	1.75
818261	N/A	56 CW	(439.750)	(127 - 140)	(44.450)

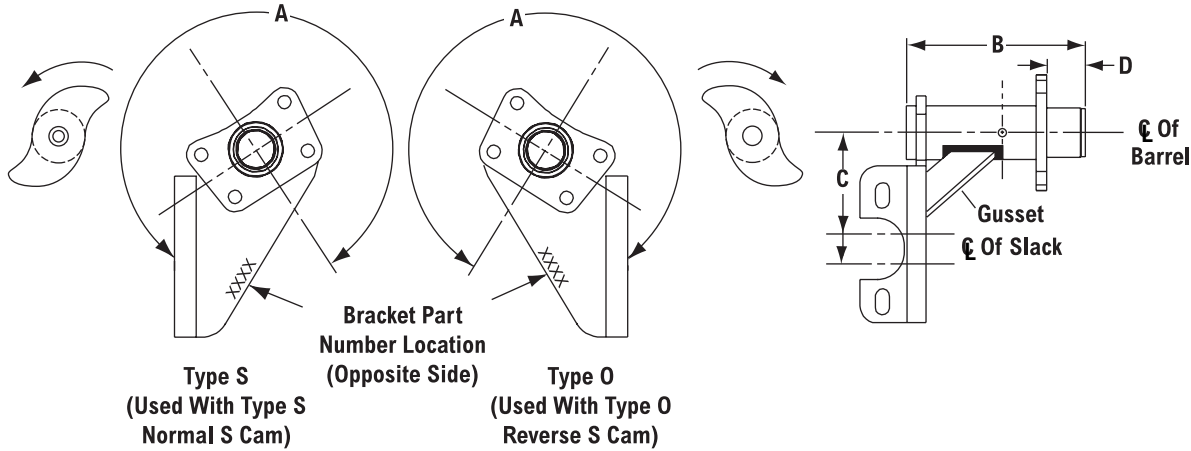
Air Chamber Mounting Brackets 16.5" – Standard and Extended Service Brakes w/ Stamped Spider (pages 37–57) (Brackets For Cast Spider See Pages 58-80)

For Models: EB-165-5L, 6L, 7L, 8L & ES-165-5L, 6L, 7L, 8L

Standard Part No.	Gussetted Part No.	"A" Bracket Angle Bracket Type	"B" Barrel Length in (mm)	"C" Slack Length in (mm)	"D" Offset in (mm)
806014	N/A	70 CCW	17.31	5.0 - 5.5	1.75
806015	N/A	70 CW	(439.750)	(127 - 140)	(44.450)
806572	N/A	85 CCW	17.31	5.5 - 6.0	1.75
806573	N/A	85 CW	(439.750)	(140 - 152)	(44.450)
819930	N/A	90 CCW	17.31	5.5 - 6.0	1.75
819931	N/A	90 CW	(439.750)	(140 - 152)	(44.450)
N/A	818492	82 CCW	17.75	5.5 - 6.0	1.75
N/A	818493	82 CW	(450.850)	(140 - 152)	(44.450)
974112	N/A	50 CCW	18.81	5.5 - 6.0	1.75
974113	N/A	50 CW	(477.850)	(140 - 152)	(44.450)
819532	N/A	70 CCW	18.81	5.5 - 6.0	1.75
819533	N/A	70 CW	(477.850)	(140 - 152)	(44.450)
N/A	975546	70 CCW	18.81	5.0	1.75
N/A	975547	70 CW	(477.850)	(127)	(44.450)
814596	N/A	85 CCW	18.81	5.5 - 6.0	1.75
814597	N/A	85 CW	(477.850)	(140 - 152)	(44.450)
N/A	975126	48 CCW	19.75	5.5 - 6.0	1.75
N/A	975127	48 CW	(501.650)	(140 - 152)	(44.450)
819932	974846	85 CCW	19.75	5.5 - 6.0	1.75
819933	974847	85 CW	(501.650)	(140 - 152)	(44.450)

Air Chamber Mounting Brackets 16.5" – Standard and Extended Service Brakes w/ Cast Spider (pages 58–80) (Brackets w/Stamped Spider See Pages 37-57)

For Models: EB-165-5D, 6D, 7D, 8D, 8F & ES-165-5D, 6D, 7D, 8D, 8F



CCW = Counterclockwise Rotation

CW = Clockwise Rotation

Standard Part No.	Gusseted Part No.	"A" Bracket Angle Bracket Type	"B" Barrel Length in (mm)	"C" Slack Length in (mm)	"D" Offset in (mm)
974684	N/A	81 CCW	5.38	5.5-6.0	1.75
974685	N/A	81 CW	(136.525)	(140-152)	(44.450)
818680	N/A	90 CCW	5.38	5.5-6.0	1.75
818681	N/A	90 CW	(136.525)	(140-152)	(44.450)
810298	N/A	305 CCW	5.38	5.5	1.75
810299	N/A	305 CW	(136.525)	(140)	(44.450)
815442	N/A	305 CCW	5.38	5.5-6.0	1.75
815443	N/A	305 CW	(136.525)	(140-152)	(44.450)
815444	N/A	305 CCW	5.38	5.0	1.75
815445	N/A	305 CW	(136.525)	(127)	(44.450)
N/A	818966	300 CCW	6.38	5.5-6.0	2.81
N/A	818967	300 CW	(161.925)	(140-152)	(71.374)
1006268	N/A	15 CCW	6.38	5.0	1.75
1006269	N/A	15 CW	(162.128)	(127)	(44.450)
808994	N/A	58 CCW	6.38	5.5	1.75
808995	N/A	58 CW	(162.128)	(140)	(44.450)
817318	975460	72 CCW	6.38	5.5-6.0	1.75
817319	975461	72 CW	(162.128)	(140-152)	(44.450)
806520	N/A	75 CCW	6.38	5.5-6.0	1.75
806521	N/A	75 CW	(162.128)	(140-152)	(44.450)
806710	816882	90 CCW	6.38	5.5-6.0	1.75
806711	816883	90 CW	(162.128)	(140-152)	(44.450)
N/A	973666	120 CCW	6.38	5.5	1.75
N/A	973667	120 CW	(162.128)	(140)	(44.450)
1006266	N/A	300 CCW	6.38	5.0	1.75
1006267	N/A	300 CW	(162.128)	(127)	(44.450)
1006270	N/A	300 CCW	6.38	5.5-6.0	1.75
1006271	N/A	300 CW	(162.128)	(140-152)	(44.450)

Air Chamber Mounting Brackets 16.5" – Standard and Extended Service Brakes w/ Cast Spider (pages 58–80) (Brackets w/Stamped Spider See Pages 37-57)

For Models: EB-165-5D, 6D, 7D, 8D, 8F & ES-165-5D, 6D, 7D, 8D, 8F

Standard Part No.	Gussetted Part No.	"A" Bracket Angle Bracket Type	"B" Barrel Length in (mm)	"C" Slack Length in (mm)	"D" Offset in (mm)
813502	819012	306 CCW	6.38	5.5	1.75
813503	819013	306 CW	(162.128)	(140)	(44.450)
1008562	N/A	310 CCW	6.38	5.0	1.75
1008563	N/A	310 CW	(162.128)	(127)	(44.450)
808242	N/A	315 CCW	6.38	5.5-6.0	1.75
808243	N/A	315 CW	(162.128)	(140-152)	(44.450)
808556	N/A	315 CCW	6.38	5.5	1.75
808557	N/A	315 CW	(162.128)	(140)	(44.450)
1006300	N/A	315 CCW	6.38	5.0	1.75
1006301	N/A	315 CW	(162.128)	(127)	(44.450)
89947	N/A	22 CCW	6.56	6.0-6.5	1.75
89948	N/A	22 CW	(166.700)	(152-165)	(44.450)
812134	N/A	75 CCW	6.56	5.5-6.0	1.75
812135	N/A	75 CW	(166.700)	(140-152)	(44.450)
89119	N/A	69 CW	6.75	6.0-6.5	1.75
89120	N/A	69 CCW	(171.450)	(152-165)	(44.450)
N/A	817564	308 CCW	6.75	5.5-6.0	1.75
N/A	817565	308 CW	(171.450)	(140-152)	(44.450)
807132	N/A	315 CCW	6.75	5.5-6.0	1.75
807133	N/A	315 CW	(171.450)	(140-152)	(44.450)
N/A	814322	0 CCW	7.06	5.5-6.0	1.75
N/A	814323	0 CW	(179.400)	(140-152)	(44.450)
N/A	817348	13 CCW	7.06	5.5-6.0	1.75
N/A	817349	13 CW	(179.400)	(140-152)	(44.450)
N/A	974964	17 CCW	7.06	5.5	1.75
N/A	974965	17 CW	(179.400)	(140)	(44.450)
808996	N/A	58 CCW	7.06	5.5-6.0	1.75
808997	N/A	58 CW	(179.400)	(140-152)	(44.450)
N/A	817482	75 CCW	7.06	5.5-6.0	1.75
N/A	817483	75 CW	(179.400)	(140-152)	(44.450)
N/A	817292	90 CCW	7.06	5.5-6.0	1.75
N/A	817293	90 CW	(179.400)	(140-152)	(44.450)
975368	N/A	304 CCW	7.06	5.5-6.0	1.75
975369	N/A	304 CW	(179.400)	(140-152)	(44.450)
N/A	975786	308 CCW	7.06	5.5-6.0	1.75
N/A	975787	308 CW	(179.400)	(140-152)	(44.450)
808796	N/A	312 CCW	7.06	5.5-6.0	1.75
808797	N/A	312 CW	(179.400)	(140-152)	(44.450)
810572	817258	312 CCW	7.06	5.5	1.75
810573	817259	312 CW	(179.400)	(140)	(44.450)
N/A	974608	315 CCW	7.06	5.5	1.75
N/A	974609	315 CW	(179.400)	(140)	(44.450)
N/A	816936	323 CCW	7.06	5.5	1.75
N/A	816937	323 CW	(179.400)	(140)	(44.450)



Air Chamber Mounting Brackets 16.5" – Standard and Extended Service Brakes w/ Cast Spider
 (pages 58–80) (Brackets w/Stamped Spider See Pages 37-57)

For Models: EB-165-5D, 6D, 7D, 8D, 8F & ES-165-5D, 6D, 7D, 8D, 8F

Standard Part No.	Gussetted Part No.	Bracket Angle Bracket Type	"A" Barrel Length in (mm)	"B" Barrel Length in (mm)	"C" Slack Length in (mm)	"D" Offset in (mm)
809642	816044	323 CCW	7.06		5.5-6.0	1.75
809643	816045	323 CW	(179.400)		(140-152)	(44.450)
809682	N/A	330 CCW	7.06		5.5-6.0	1.75
809683	N/A	330 CW	(179.400)		(140-152)	(44.450)
975700	974612	32 CCW	7.31		5.5	1.75
975701	974613	32 CW	(185.750)		(140)	(44.450)
974272	N/A	288 CCW	7.31		5.5-6.0	1.75
974273	N/A	288 CW	(185.750)		(140-152)	(44.450)
N/A	975652	330 CCW	7.31		5.5-6.0	1.75
N/A	975653	330 CW	(185.750)		(140-152)	(44.450)
975396	N/A	84 CCW	7.56		5.5-6.0	1.75
975397	N/A	84 CW	(192.100)		(140-152)	(44.450)
N/A	975238	315 CCW	7.56		5.5	1.75
N/A	975239	315 CW	(192.100)		(140)	(44.450)
N/A	819336	323 CCW	7.56		5.5	1.75
N/A	819337	323 CW	(192.100)		(140)	(44.450)
973712	817630	34 CCW	7.56		5.5-6.0	2.50
973713	817631	34 CW	(197.100)		(140-152)	(63.500)
809484	N/A	58 CCW	7.78		5.5-6.0	1.75
809485	N/A	58 CW	(197.612)		(140-152)	(44.450)
809480	817438	58 CCW	7.78		5.5	1.75
809481	817439	58 CW	(197.612)		(140)	(44.450)
813340	N/A	306 CCW	7.78		5.5	1.75
813341	N/A	306 CW	(197.612)		(140)	(44.450)
808798	974872	312 CCW	7.78		5.5-6.0	1.75
808799	974873	312 CW	(197.612)		(140-152)	(44.450)
N/A	818478	70 CCW	7.97		5.5-6.0	1.75
N/A	818479	70 CW	(202.412)		(140-152)	(44.450)
812010	N/A	315 CCW	7.97		5.5	1.75
812011	N/A	315 CW	(202.412)		(140)	(44.450)
N/A	813204	56 CCW	8.19		5.5	1.75
N/A	813205	56 CW	(207.975)		(140)	(44.450)
N/A	813632	56 CCW	8.19		5.0-5.5	1.75
N/A	813633	56 CW	(207.975)		(127-140)	(44.450)
N/A	973556	56 CCW	8.19		5.5-6.0	1.75
N/A	973557	56 CW	(207.975)		(140-152)	(44.450)
N/A	814068	8 CCW	8.31		6.0	1.75
N/A	814069	8 CW	(211.150)		(152)	(44.450)
806360	N/A	15 CCW	8.31		5.0	1.75
806361	N/A	15 CW	(211.150)		(127)	(44.450)
810498	N/A	15 CCW	8.31		5.5-6.0	1.75
810499	N/A	15 CW	(211.150)		(140-152)	(44.450)
1003062	N/A	21 CCW	8.31		6.0-6.5	1.75
1003063	N/A	21 CW	(211.150)		(152-165)	(44.450)

Air Chamber Mounting Brackets 16.5" – Standard and Extended Service Brakes w/ Cast Spider (pages 58–80) (Brackets w/Stamped Spider See Pages 37-57)

For Models: EB-165-5D, 6D, 7D, 8D, 8F & ES-165-5D, 6D, 7D, 8D, 8F

Standard Part No.	Gussetted Part No.	"A" Bracket Angle Bracket Type	"B" Barrel Length in (mm)	"C" Slack Length in (mm)	"D" Offset in (mm)
1001886	N/A	40 CCW	8.31	6.0-6.5	1.75
1001887	N/A	40 CW	(211.150)	(152-165)	(44.450)
N/A	811204	56 CCW	8.31	5.5	1.75
N/A	811205	56 CW	(211.150)	(140)	(44.450)
89136	811136	56 CCW	8.31	5.5-6.0	1.75
89137	811137	56 CW	(211.150)	(140-152)	(44.450)
806640	N/A	69 CCW	8.31	5.5-6.0	1.75
806641	N/A	69 CW	(211.150)	(140-152)	(44.450)
973630	N/A	80 CCW	8.31	5.5-6.0	1.75
973631	N/A	80 CW	(211.150)	(140-152)	(44.450)
974780	N/A	80 CCW	8.31	5.5-6.0	1.75
974781	N/A	80 CW	(211.150)	(140-152)	(44.450)
74909	N/A	90 CCW	8.31	6.0-6.5	1.75
74910	N/A	90 CW	(211.150)	(152-165)	(44.450)
807488	953800	90 CCW	8.31	5.5-6.0	1.75
807489	953801	90 CW	(211.150)	(140-152)	(44.450)
974782	N/A	90 CCW	8.31	5.5-6.0	1.75
974783	N/A	90 CW	(211.150)	(140-152)	(44.450)
809914	N/A	306 CCW	8.31	5.5	1.75
809915	N/A	306 CW	(211.150)	(140)	(44.450)
1006898	814126	306 CCW	8.31	5.5-6.0	1.75
1006899	814127	306 CW	(211.150)	(140-152)	(44.450)
973618	N/A	308 CCW	8.31	5.5	1.75
973619	N/A	308 CW	(211.150)	(140)	(44.450)
1006916	N/A	308 CCW	8.31	5.5-6.0	1.75
1006917	N/A	308 CW	(211.150)	(140-152)	(44.450)
N/A	953768	309 CCW	8.31	5.5-6.0	1.75
N/A	953769	309 CW	(211.150)	(140-152)	(44.450)
810828	974896	310 CCW	8.31	5.5	1.75
810829	974897	310 CW	(211.150)	(140)	(44.450)
807154	N/A	312 CCW	8.31	5.5	1.75
807155	N/A	312 CW	(211.150)	(140)	(44.450)
1008868	N/A	312 CCW	8.31	5.5-6.0	1.75
1008869	N/A	312 CW	(211.150)	(140-152)	(44.450)
N/A	974912	316 CCW	8.31	5.5	1.75
N/A	974913	316 CW	(211.150)	(140)	(44.450)
807028	814822/7158	323 CCW	8.31	5.5	1.75
807029	814823/7159	323 CW	(211.150)	(140)	(44.450)
807448	814822/7158	323 CCW	8.31	5.5	1.75
807449	814823/7159	323 CW	(211.150)	(140)	(44.450)
807028/448	814822	323 CCW	8.31	5.5	1.75
807029/449	814823	323 CW	(211.150)	(140)	(44.450)
807028/448	817158	323 CCW	8.31	5.5	1.75
807029/449	817159	323 CW	(211.150)	(140)	(44.450)



Air Chamber Mounting Brackets 16.5" – Standard and Extended Service Brakes w/ Cast Spider
(pages 58–80) (Brackets w/Stamped Spider See Pages 37-57)

For Models: EB-165-5D, 6D, 7D, 8D, 8F & ES-165-5D, 6D, 7D, 8D, 8F

Standard Part No.	Gussetted Part No.	Bracket Angle Bracket Type	"A" Barrel Length in (mm)	"B" Barrel Length in (mm)	"C" Slack Length in (mm)	"D" Offset in (mm)
953818	N/A	324 CCW	8.31	8.31	5.5-6.0	1.75
953819	N/A	324 CW	(211.150)	(211.150)	(140-152)	(44.450)
N/A	819888	325 CCW	8.31	8.31	5.5-6.0	1.75
N/A	819889	325 CW	(211.150)	(211.150)	(140-152)	(44.450)
953532	974864	333 CCW	8.31	8.31	5.5	1.75
953533	974865	333 CW	(211.150)	(211.150)	(140)	(44.450)
809144	N/A	334 CCW	8.31	8.31	5.5-6.0	1.75
809145	N/A	334 CW	(211.150)	(211.150)	(140-152)	(44.450)
810182	N/A	335 CCW	8.31	8.31	5.5	1.75
810183	N/A	335 CW	(211.150)	(211.150)	(140)	(44.450)
N/A	819548	56 CCW	8.50	8.50	5.5	1.75
N/A	819549	56 CW	(215.900)	(215.900)	(140)	(44.450)
N/A	973558	56 CCW	8.50	8.50	5.5-6.0	1.75
N/A	973559	56 CW	(215.900)	(215.900)	(140-152)	(44.450)
808750	975288	15 CCW	8.56	8.56	5.5-6.0	1.75
808751	975289	15 CW	(217.500)	(217.500)	(140-152)	(44.450)
807616	N/A	306 CCW	8.56	8.56	5.0	1.75
807617	N/A	306 CW	(217.500)	(217.500)	(127)	(44.450)
807618	N/A	306 CCW	8.56	8.56	5.5-6.0	1.75
807619	N/A	306 CW	(217.500)	(217.500)	(140-152)	(44.450)
809438	N/A	306 CCW	8.56	8.56	5.5	1.75
809439	N/A	306 CW	(217.500)	(217.500)	(140)	(44.450)
974516	975272	20 CCW	8.67	8.67	5.5-6.0	1.75
974517	975273	20 CW	(220.218)	(220.218)	(140-152)	(44.450)
N/A	817350	83 CCW	8.67	8.67	5.5-6.0	1.75
N/A	817351	83 CW	(220.218)	(220.218)	(140-152)	(44.450)
807580	813840	306 CCW	8.67	8.67	5.5	1.75
807581	813841	306 CW	(220.218)	(220.218)	(140)	(44.450)
N/A	818384	0 CCW	8.97	8.97	5.5-6.0	1.75
N/A	818385	0 CW	(227.813)	(227.813)	(140-152)	(44.450)
78527	N/A	42 CW	8.97	8.97	6.0-6.5	1.75
78528	N/A	42 CCW	(227.813)	(227.813)	(152-165)	(44.450)
1001372	N/A	45 CCW	8.97	8.97	5.5-6.0	1.75
1001373	N/A	45 CW	(227.813)	(227.813)	(140-152)	(44.450)
1001420	N/A	50 CCW	8.97	8.97	5.5-6.0	1.75
1001421	N/A	50 CW	(227.813)	(227.813)	(140-152)	(44.450)
1001430	N/A	54 CCW	8.97	8.97	6.0-6.5	1.75
1001431	N/A	54 CW	(227.813)	(227.813)	(152-165)	(44.450)
N/A	817142	56 CCW	8.97	8.97	5.5	1.75
N/A	817143	56 CW	(227.813)	(227.813)	(140)	(44.450)
1001554	817176	56 CCW	8.97	8.97	5.5-6.0	1.75
1001555	817177	56 CW	(227.813)	(227.813)	(140-152)	(44.450)
89333	817176	56 CW	8.97	8.97	5.5-6.0	1.75
89334	817177	56 CCW	(227.813)	(227.813)	(140-152)	(44.450)

Air Chamber Mounting Brackets 16.5" – Standard and Extended Service Brakes w/ Cast Spider
 (pages 58–80) (Brackets w/Stamped Spider See Pages 37-57)

For Models: EB-165-5D, 6D, 7D, 8D, 8F & ES-165-5D, 6D, 7D, 8D, 8F

Standard Part No.	Gussetted Part No.	"A" Bracket Angle Bracket Type	"B" Barrel Length in (mm)	"C" Slack Length in (mm)	"D" Offset in (mm)
N/A	973760	58 CCW	8.97	5.5	1.75
N/A	973761	58 CW	(227.813)	(140)	(44.450)
809486	818972	58 CCW	8.97	5.5-6.0	1.75
809487	818973	58 CW	(227.813)	(140-152)	(44.450)
974418	N/A	64 CCW	8.97	5.5-6.0	2.50
974419	N/A	64 CW	(227.813)	(140-152)	(63.500)
N/A	817140	69 CCW	8.97	5.5	1.75
N/A	817141	69 CW	(227.813)	(140)	(44.450)
1001426	N/A	69 CCW	8.97	6.0-6.5	1.75
1001427	N/A	69 CW	(227.813)	(152-165)	(44.450)
1001368	816222	69 CCW	8.97	5.5-6.0	1.75
1001369	816223	69 CW	(227.813)	(140-152)	(44.450)
89515	816222	69 CW	8.97	5.5-6.0	1.75
89516	816223	69 CCW	(227.813)	(140-152)	(44.450)
89750	N/A	72 CCW	8.97	6.0-6.5	1.75
89751	N/A	72 CW	(227.813)	(152-165)	(44.450)
808676	N/A	72 CCW	8.97	5.5-6.0	1.75
808677	N/A	72 CW	(227.813)	(140-152)	(44.450)
1001428	N/A	72 CCW	8.97	6.0-6.5	1.75
1001429	N/A	72 CW	(227.813)	(152-165)	(44.450)
89892	N/A	72 CW	8.97	6.0-6.5	2.81
89893	N/A	72 CCW	(227.813)	(152-165)	(71.374)
1003148	N/A	83 CCW	8.97	5.5-6.0	1.75
1003149	N/A	83 CW	(227.813)	(140-152)	(44.450)
1004028	N/A	85 CCW	8.97	5.5-6.0	1.75
1004029	N/A	85 CW	(227.813)	(140-152)	(44.450)
N/A	814672	88 CCW	8.97	5.5	1.75
N/A	814673	88 CW	(227.813)	(140)	(44.450)
1001548	816220	90 CCW	8.97	5.5-6.0	1.75
1001549	816221	90 CW	(227.813)	(140-152)	(44.450)
1000324	N/A	95 CCW	8.97	6.0-6.5	1.75
1000325	N/A	95 CW	(227.813)	(152-165)	(44.450)
1001550	817284	95 CCW	8.97	5.5-6.0	1.75
1001551	817285	95 CW	(227.813)	(140-152)	(44.450)
1006114	N/A	97 CCW	8.97	5.5-6.0	1.75
1006115	N/A	97 CW	(227.813)	(140-152)	(44.450)
89380	N/A	101 CW	8.97	5.5-6.0	1.75
89381	N/A	101 CCW	(227.813)	(140-152)	(44.450)
1005550	817286	105 CCW	8.97	5.5-6.0	1.75
1005551	817287	105 CW	(227.813)	(140-152)	(44.450)
N/A	814674	111 CCW	8.97	5.5	1.75
N/A	814675	111 CW	(227.813)	(140)	(44.450)
N/A	975458	115 CCW	8.97	5.5	1.75
N/A	975459	115 CW	(227.813)	(140)	(44.450)



Air Chamber Mounting Brackets 16.5" – Standard and Extended Service Brakes w/ Cast Spider
 (pages 58–80) (Brackets w/Stamped Spider See Pages 37-57)

For Models: EB-165-5D, 6D, 7D, 8D, 8F & ES-165-5D, 6D, 7D, 8D, 8F

Standard Part No.	Gussetted Part No.	"A" Bracket Angle Bracket Type	"B" Barrel Length in (mm)	"C" Slack Length in (mm)	"D" Offset in (mm)
N/A	975730	120 CCW	8.97	5.5-6.0	1.75
N/A	975731	120 CW	(227.813)	(140-152)	(44.450)
1003150	N/A	329 CCW	8.97	5.5-6.0	1.75
1003151	N/A	329 CW	(227.813)	(140-152)	(44.450)
N/A	953592	345 CCW	8.97	5.5-6.0	1.75
N/A	953593	345 CW	(227.813)	(140-152)	(44.450)
1003426	N/A	350 CCW	8.97	5.5-6.0	1.75
1003427	N/A	350 CW	(227.813)	(140-152)	(44.450)
81077	N/A	0 CW	9.31	6.0-6.5	1.75
81078	N/A	0 CCW	(236.550)	(152-165)	(44.450)
1000843	N/A	10 CCW	9.31	6.0-6.5	1.75
1000844	N/A	10 CW	(236.550)	(152-165)	(44.450)
74934	N/A	25 CCW	9.31	5.5-6.0	1.75
74935	N/A	25 CW	(236.550)	(140-152)	(44.450)
78598	N/A	30 CW	9.31	5.5-6.0	1.75
78599	N/A	30 CCW	(236.550)	(140-152)	(44.450)
806674	N/A	30 CCW	9.31	5.5-6.0	1.75
806675	N/A	30 CW	(236.550)	(140-152)	(44.450)
N/A	811208	30 CCW	9.31	5.5	1.75
N/A	811209	30 CW	(236.550)	(140)	(44.450)
73635	N/A	33 CW	9.31	5.5-6.0	1.75
73636	N/A	33 CCW	(236.550)	(140-152)	(44.450)
74718	N/A	33 CW	9.31	6.0-6.5	1.75
74719	N/A	33 CCW	(236.550)	(152-165)	(44.450)
1006204	N/A	35 CCW	9.31	5.5-6.0	1.75
1006205	N/A	35 CW	(236.550)	(140-152)	(44.450)
N/A	975480	40 CCW	9.31	5.5	1.75
N/A	975481	40 CW	(236.550)	(140)	(44.450)
1002476	N/A	42 CCW	9.31	6.0-6.5	1.75
1002477	N/A	42 CW	(236.550)	(152-165)	(44.450)
N/A	974660	44 CCW	9.31	5.5	1.75
N/A	974661	44 CW	(236.550)	(140)	(44.450)
1000287	N/A	45 CCW	9.31	6.0-6.5	1.75
1000288	N/A	45 CW	(236.550)	(152-165)	(44.450)
1003442	813352	45 CCW	9.31	5.5-6.0	1.75
1003443	813353	45 CW	(236.550)	(140-152)	(44.450)
N/A	974926	46 CCW	9.31	5.5	1.75
N/A	974927	46 CW	(236.550)	(140)	(44.450)
1006096	N/A	47 CCW	9.31	5.5-6.0	2.81
1006097	N/A	47 CW	(236.550)	(140-152)	(71.374)
89044	N/A	50 CW	9.31	6.0-6.5	1.75
89045	N/A	50 CCW	(236.550)	(152-165)	(44.450)
N/A	975500	50 CCW	9.31	5.5	1.75
N/A	975501	50 CW	(236.550)	(140)	(44.450)

Air Chamber Mounting Brackets 16.5" – Standard and Extended Service Brakes w/ Cast Spider
 (pages 58–80) (Brackets w/Stamped Spider See Pages 37-57)

For Models: EB-165-5D, 6D, 7D, 8D, 8F & ES-165-5D, 6D, 7D, 8D, 8F

Standard Part No.	Gussetted Part No.	"A" Bracket Angle Bracket Type	"B" Barrel Length in (mm)	"C" Slack Length in (mm)	"D" Offset in (mm)
1008478	812652	50 CCW	9.31	5.5-6.0	1.75
1008479	812653	50 CW	(236.550)	(140-152)	(44.450)
89614	812652	50 CW	9.31	5.5-6.0	1.75
89615	812653	50 CCW	(236.550)	(140-152)	(44.450)
89350	N/A	53 CW	9.31	6.0-6.5	1.75
89351	N/A	53 CCW	(236.550)	(152-165)	(44.450)
1003138	814190	53 CCW	9.31	5.5-6.0	1.75
1003139	814191	53 CW	(236.550)	(140-152)	(44.450)
1001707	N/A	54 CCW	9.31	6.0-6.5	1.75
1001708	N/A	54 CW	(236.550)	(152-165)	(44.450)
89601	N/A	55 CW	9.31	6.0-6.5	1.75
89602	N/A	55 CCW	(236.550)	(152-165)	(44.450)
N/A	811210	55 CCW	9.31	5.5	1.75
N/A	811211	55 CW	(236.550)	(140)	(44.450)
1006206	816450	55 CCW	9.31	5.5-6.0	1.75
1006207	816451	55 CW	(236.550)	(140-152)	(44.450)
89973	N/A	56 CW	9.31	5.5-6.0	1.75
89974	N/A	56 CCW	(236.550)	(140-152)	(44.450)
89994	N/A	57 CW	9.31	6.0-6.5	2.81
89995	N/A	57 CCW	(236.550)	(152-165)	(71.374)
808992	N/A	58 CCW	9.31	5.5	1.75
808993	N/A	58 CW	(236.550)	(140)	(44.450)
77052	N/A	59 CW	9.31	6.0-6.5	1.75
77053	N/A	59 CCW	(236.550)	(152-165)	(44.450)
89981	812916	59 CW	9.31	5.5-6.0	1.75
89982	812917	59 CCW	(236.550)	(140-152)	(44.450)
1006628	812916	59 CCW	9.31	5.5-6.0	1.75
1006629	812917	59 CW	(236.550)	(140-152)	(44.450)
78596	814690	60 CW	9.31	5.5-6.0	1.75
78597	814691	60 CCW	(236.550)	(140-152)	(44.450)
N/A	975482	60 CCW	9.31	5.5	1.75
N/A	975483	60 CW	(236.550)	(140)	(44.450)
1009058	814690	60 CCW	9.31	5.5-6.0	1.75
1009059	814691	60 CW	(236.550)	(140-152)	(44.450)
N/A	811202	65 CCW	9.31	5.5	1.75
N/A	811203	65 CW	(236.550)	(140)	(44.450)
1009050	813090	65 CCW	9.31	5.5-6.0	1.75
1009051	813091	65 CW	(236.550)	(140-152)	(44.450)
810582	813090	65 CCW	9.31	5.5-6.0	1.75
810583	813091	65 CW	(236.550)	(140-152)	(44.450)
81063	813090	65 CW	9.31	5.5-6.0	1.75
81064	813091	65 CCW	(236.550)	(140-152)	(44.450)
73647	N/A	69 CCW	9.31	6.0-6.5	1.75
73648	N/A	69 CW	(236.550)	(152-165)	(44.450)



Air Chamber Mounting Brackets 16.5" – Standard and Extended Service Brakes w/ Cast Spider
 (pages 58–80) (Brackets w/Stamped Spider See Pages 37-57)

For Models: EB-165-5D, 6D, 7D, 8D, 8F & ES-165-5D, 6D, 7D, 8D, 8F

Standard Part No.	Gussetted Part No.	"A" Bracket Angle Bracket Type	"B" Barrel Length in (mm)	"C" Slack Length in (mm)	"D" Offset in (mm)
N/A	811212	69 CCW	9.31	5.5	1.75
N/A	811213	69 CW	(236.550)	(140)	(44.450)
1001432	N/A	69 CCW	9.31	6.0-6.5	1.75
1001433	N/A	69 CW	(236.550)	(152-165)	(44.450)
1003436	813276	69 CCW	9.31	5.5-6.0	1.75
1003437	813277	69 CW	(236.550)	(140-152)	(44.450)
1004002	813276	69 CCW	9.31	5.5-6.0	1.75
1004003	813277	69 CW	(236.550)	(140-152)	(44.450)
89734	N/A	69 CCW	9.31	6.0-6.5	2.81
89735	N/A	69 CW	(236.550)	(152-165)	(71.374)
89800	N/A	70 CCW	9.31	5.5-6.0	2.81
89801	N/A	70 CW	(236.550)	(140-152)	(71.374)
82592	N/A	72 CW	9.31	6.0-6.5	1.75
82593	N/A	72 CCW	(236.550)	(152-165)	(44.450)
1001709	N/A	72 CCW	9.31	6.0-6.5	1.75
1001710	N/A	72 CW	(236.550)	(152-165)	(44.450)
1003726	809686	72 CCW	9.31	5.5-6.0	1.75
1003727	809687	72 CW	(236.550)	(140-152)	(44.450)
N/A	816876	72 CCW	9.31	5.5-6.0	1.75
N/A	816877	72 CW	(236.550)	(140-152)	(44.450)
74720	N/A	75 CCW	9.31	6.0-6.5	1.75
74721	N/A	75 CW	(236.550)	(152-165)	(44.450)
1005974	812650	75 CCW	9.31	5.5-6.0	1.75
1005975	812651	75 CW	(236.550)	(140-152)	(44.450)
808966	812650	75 CCW	9.31	5.5-6.0	1.75
808967	812651	75 CW	(236.550)	(140-152)	(44.450)
N/A	975426	76 CCW	9.31	5.5	1.75
N/A	975427	76 CW	(236.550)	(140)	(44.450)
1004898	N/A	76 CCW	9.31	5.5-6.0	1.75
1004899	N/A	76 CW	(236.550)	(140-152)	(44.450)
N/A	814870	77 CCW	9.31	5.5-6.0	1.75
N/A	814871	77 CW	(236.550)	(140-152)	(44.450)
975718	N/A	78 CCW	9.31	5.5-6.0	1.75
975719	N/A	78 CW	(236.550)	(140-152)	(44.450)
1008804	N/A	78 CCW	9.31	6.0-6.5	2.50
1008805	N/A	78 CW	(236.550)	(152-165)	(63.500)
89412	N/A	79 CW	9.31	6.0-6.5	1.75
89413	N/A	79 CCW	(236.550)	(152-165)	(44.450)
N/A	811214	80 CCW	9.31	5.5	1.75
N/A	811215	80 CW	(236.550)	(140)	(44.450)
1006666	813072	80 CCW	9.31	5.5-6.0	1.75
1006667	813073	80 CW	(236.550)	(140-152)	(44.450)
N/A	818138	80 CCW	9.31	5.5-6.0	2.50
N/A	818139	80 CW	(236.550)	(140-152)	(63.500)

Air Chamber Mounting Brackets 16.5" – Standard and Extended Service Brakes w/ Cast Spider (pages 58–80) (Brackets w/Stamped Spider See Pages 37-57)

For Models: EB-165-5D, 6D, 7D, 8D, 8F & ES-165-5D, 6D, 7D, 8D, 8F

Standard Part No.	Gussetted Part No.	"A" Bracket Angle Bracket Type	"B" Barrel Length in (mm)	"C" Slack Length in (mm)	"D" Offset in (mm)
1002396	N/A	80 CCW	9.31	6.0-6.5	2.50
1002397	N/A	80 CW	(236.550)	(152-165)	(63.500)
76277	N/A	83 CW	9.31	6.0-6.5	1.75
76278	N/A	83 CCW	(236.550)	(152-165)	(44.450)
1003136	975212	83 CCW	9.31	5.5-6.0	1.75
1003137	975213	83 CW	(236.550)	(140-152)	(44.450)
N/A	818888	85 CCW	9.31	5.5-6.0	1.75
N/A	818899	85 CW	(236.550)	(140-152)	(44.450)
89264	N/A	87 CW	9.31	6.0-6.5	1.75
89265	N/A	87 CCW	(236.550)	(152-165)	(44.450)
N/A	811216	90 CCW	9.31	5.5	1.75
N/A	811217	90 CW	(236.550)	(140)	(44.450)
1000805	N/A	90 CCW	9.31	6.0-6.5	1.75
1000806	N/A	90 CW	(236.550)	(152-165)	(44.450)
1006158	809548	90 CCW	9.31	5.5-6.0	1.75
1006159	809549	90 CW	(236.550)	(140-152)	(44.450)
N/A	814668	93 CCW	9.31	5.5	1.75
N/A	814669	93 CW	(236.550)	(140)	(44.450)
1003158	N/A	93 CCW	9.31	5.5-6.0	1.75
1003159	N/A	93 CW	(236.550)	(140-152)	(44.450)
974286	817912	94 CCW	9.31	5.5-6.0	1.75
974287	817913	94 CW	(236.550)	(140-152)	(44.450)
1006708	N/A	95 CCW	9.31	5.5-6.0	1.75
1006709	N/A	95 CW	(236.550)	(140-152)	(44.450)
N/A	818128	100 CCW	9.31	5.5-6.0	1.75
N/A	818129	100 CW	(236.550)	(140-152)	(44.450)
975452	974468	102 CCW	9.31	5.5-6.0	1.75
975453	974469	102 CW	(236.550)	(140-152)	(44.450)
974422	N/A	108 CCW	9.31	5.5-6.0	1.75
974423	N/A	108 CW	(236.550)	(140-152)	(44.450)
N/A	974654	108 CCW	9.31	5.5	1.75
N/A	974655	108 CW	(236.550)	(140)	(44.450)
89580	N/A	116 CCW	9.31	6.0-6.5	1.75
89581	N/A	116 CW	(236.550)	(152-165)	(44.450)
807420	814142	127 CCW	9.31	5.5-6.0	1.75
807421	814143	127 CW	(236.550)	(140-152)	(44.450)
812262	N/A	150 CCW	9.31	5.5-6.0	1.75
812263	N/A	150 CW	(236.550)	(140-152)	(44.450)
N/A	974274	293 CCW	9.31	5.5-6.0	1.75
N/A	974275	293 CW	(236.550)	(140-152)	(44.450)
N/A	974058	301 CCW	9.31	5.5-6.0	1.75
N/A	974059	301 CW	(236.550)	(140-152)	(44.450)
808558	N/A	306 CCW	9.31	5.5	1.75
808559	N/A	306 CW	(236.550)	(140)	(44.450)



Air Chamber Mounting Brackets 16.5" – Standard and Extended Service Brakes w/ Cast Spider (pages 58–80) (Brackets w/Stamped Spider See Pages 37-57)

For Models: EB-165-5D, 6D, 7D, 8D, 8F & ES-165-5D, 6D, 7D, 8D, 8F

Standard Part No.	Gussetted Part No.	"A" Bracket Angle Bracket Type	"B" Barrel Length in (mm)	"C" Slack Length in (mm)	"D" Offset in (mm)
1001308	N/A	306 CCW	9.31	5.0	1.75
1001309	N/A	306 CW	(236.550)	(127)	(44.450)
1005892	819014	306 CCW	9.31	5.5-6.0	1.75
1005893	819015	306 CW	(236.550)	(140-152)	(44.450)
N/A	973620	308 CCW	9.31	5.5	1.75
N/A	973621	308 CW	(236.550)	(140)	(44.450)
807300	N/A	311 CCW	9.31	5.5	1.75
807301	N/A	311 CW	(236.550)	(140)	(44.450)
1009444	N/A	311 CCW	9.31	5.5-6.0	1.75
1009445	N/A	311 CW	(236.550)	(140-152)	(44.450)
N/A	819444	315 CCW	9.31	5.5-6.0	1.75
N/A	819445	315 CW	(236.550)	(140-152)	(44.450)
809820	N/A	320 CCW	9.31	5.5	1.75
809821	N/A	320 CW	(236.550)	(140)	(44.450)
807002	N/A	325 CCW	9.31	6.0-6.5	1.75
807003	N/A	325 CW	(236.550)	(152-165)	(44.450)
807008	809546	325 CCW	9.31	5.5-6.0	1.75
807009	809547	325 CW	(236.550)	(140-152)	(44.450)
N/A	975338	330 CCW	9.31	5.5-6.0	1.75
N/A	975339	330 CW	(236.550)	(140-152)	(44.450)
1006580	N/A	332 CCW	9.31	5.5-6.0	1.75
1006581	N/A	332 CW	(236.550)	(140-152)	(44.450)
77012	N/A	339 CW	9.31	6.0-6.5	1.75
77013	N/A	339 CCW	(236.550)	(152-165)	(44.450)
818838	N/A	30 CCW	9.67	5.5-6.0	1.75
818839	N/A	30 CW	(245.669)	(140-152)	(44.450)
N/A	975068	35 CCW	9.67	5.5-6.0	1.75
N/A	975069	35 CW	(245.669)	(140-152)	(44.450)
N/A	808360	45 CCW	9.67	5.5-6.0	1.75
N/A	808361	45 CW	(245.669)	(140-152)	(44.450)
N/A	817924	56 CCW	9.67	5.5-6.0	1.75
N/A	817925	56 CW	(245.669)	(140-152)	(44.450)
N/A	808358	60 CCW	9.67	5.5-6.0	1.75
N/A	808359	60 CW	(245.669)	(140-152)	(44.450)
N/A	812474	69 CCW	9.67	5.5-6.0	1.75
N/A	812475	69 CW	(245.669)	(140-152)	(44.450)
N/A	975070	72 CCW	9.67	5.5-6.0	1.75
N/A	975071	72 CW	(245.669)	(140-152)	(44.450)
N/A	819852	75 CCW	9.67	5.5-6.0	1.75
N/A	819853	75 CW	(245.669)	(140-152)	(44.450)
N/A	974018	86 CCW	9.67	5.5-6.0	1.75
N/A	974019	86 CW	(245.669)	(140-152)	(44.450)
N/A	975202	89 CCW	9.67	5.5-6.0	1.75
N/A	975203	89 CW	(245.669)	(140-152)	(44.450)

Air Chamber Mounting Brackets 16.5" – Standard and Extended Service Brakes w/ Cast Spider (pages 58–80) (Brackets w/Stamped Spider See Pages 37-57)

For Models: EB-165-5D, 6D, 7D, 8D, 8F & ES-165-5D, 6D, 7D, 8D, 8F

Standard Part No.	Gussetted Part No.	"A" Bracket Angle Bracket Type	"B" Barrel Length in (mm)	"C" Slack Length in (mm)	"D" Offset in (mm)
N/A	975102	104 CCW	9.67	5.5-6.0	1.75
N/A	975103	104 CW	(245.669)	(140-152)	(44.450)
N/A	816488	145 CCW	9.67	5.5-6.0	1.75
N/A	816489	145 CW	(245.669)	(140-152)	(44.450)
N/A	817926	346 CCW	9.67	5.5-6.0	1.75
N/A	817927	346 CW	(245.669)	(140-152)	(44.450)
N/A	819588	38 CCW	10.00	5.5-6.0	1.75
N/A	819589	38 CW	(254.000)	(140-152)	(44.450)
975434	819590	52 CCW	10.00	5.5-6.0	1.75
975435	819591	52 CW	(254.000)	(140-152)	(44.450)
975432	N/A	346 CCW	10.00	5.5-6.0	1.75
975433	N/A	346 CW	(254.000)	(140-152)	(44.450)
N/A	817184	45 CCW	10.25	5.5-6.0	1.75
N/A	817185	45 CW	(260.350)	(140-152)	(44.450)
79926	N/A	50 CW	10.25	5.5-6.0	1.75
79927	N/A	50 CCW	(260.350)	(140-152)	(44.450)
79930	N/A	50 CW	10.25	6.0-6.5	1.75
79931	N/A	50 CCW	(260.350)	(152-165)	(44.450)
1000597	N/A	53 CCW	10.25	6.0-6.5	1.75
1000598	N/A	53 CW	(260.350)	(152-165)	(44.450)
812512	814148	53 CCW	10.25	5.5-6.0	1.75
812513	814149	53 CW	(260.350)	(140-152)	(44.450)
1005964	N/A	53 CCW	10.25	5.5-6.0	2.81
1005965	N/A	53 CW	(260.350)	(140-152)	(71.374)
1002762	N/A	54 CCW	10.25	6.0-6.5	1.75
1002763	N/A	54 CW	(260.350)	(152-165)	(44.450)
1003722	N/A	54 CCW	10.25	6.0-6.5	1.75
1003723	N/A	54 CW	(260.350)	(152-165)	(44.450)
N/A	819602	56 CCW	10.25	5.5-6.0	1.75
N/A	819603	56 CW	(260.350)	(140-152)	(44.450)
809482	816642	58 CCW	10.25	5.5	1.75
809483	816643	58 CW	(260.350)	(140)	(44.450)
1003154	817182	60 CCW	10.25	5.5-6.0	1.75
1003155	817183	60 CW	(260.350)	(140-152)	(44.450)
89126	N/A	69 CCW	10.25	6.0-6.5	1.75
89127	N/A	69 CW	(260.350)	(152-165)	(44.450)
1002470	N/A	69 CCW	10.25	6.0-6.5	1.75
1002471	N/A	69 CW	(260.350)	(152-165)	(44.450)
1002766	N/A	69 CCW	10.25	6.0-6.5	1.75
1002767	N/A	69 CW	(260.350)	(152-165)	(44.450)
1003724	N/A	69 CCW	10.25	6.0-6.5	1.75
1003725	N/A	69 CW	(260.350)	(152-165)	(44.450)
1006166	819600	69 CCW	10.25	5.5-6.0	1.75
1006167	819601	69 CW	(260.350)	(140-152)	(44.450)



Air Chamber Mounting Brackets 16.5" – Standard and Extended Service Brakes w/ Cast Spider (pages 58–80) (Brackets w/Stamped Spider See Pages 37-57)

For Models: EB-165-5D, 6D, 7D, 8D, 8F & ES-165-5D, 6D, 7D, 8D, 8F

Standard Part No.	Gussetted Part No.	Bracket Angle Bracket Type	"A" Barrel Length in (mm)	"B" Barrel Length in (mm)	"C" Slack Length in (mm)	"D" Offset in (mm)
82571	819600	69 CW	10.25		5.5-6.0	1.75
82572	819601	69 CCW	(260.350)		(140-152)	(44.450)
89280	N/A	72 CCW	10.25		6.0-6.5	1.75
89281	N/A	72 CW	(260.350)		(152-165)	(44.450)
1003450	814180	72 CCW	10.25		5.5-6.0	1.75
1003451	814181	72 CW	(260.350)		(140-152)	(44.450)
N/A	818862	72 CCW	10.25		5.5-6.0	1.75
N/A	818863	72 CW	(260.350)		(140-152)	(44.450)
89066	N/A	75 CCW	10.25		6.0-6.5	1.75
89067	N/A	75 CW	(260.350)		(152-165)	(44.450)
807470	N/A	75 CCW	10.25		5.5-6.0	1.75
807471	N/A	75 CW	(260.350)		(140-152)	(44.450)
953704	N/A	75 CCW	10.25		5.5-6.0	1.75
953705	N/A	75 CW	(260.350)		(140-152)	(44.450)
1006446	N/A	80 CCW	10.25		5.5-6.0	1.75
1006447	N/A	80 CW	(260.350)		(140-152)	(44.450)
1003230	816050	83 CCW	10.25		5.5-6.0	1.75
1003231	816051	83 CW	(260.350)		(140-152)	(44.450)
1003232	N/A	85 CCW	10.25		5.5-6.0	1.75
1003233	N/A	85 CW	(260.350)		(140-152)	(44.450)
1003152	N/A	85 CCW	10.25		5.5-6.0	1.75
1003153	N/A	85 CW	(260.350)		(140-152)	(44.450)
N/A	811510	90 CCW	10.25		5.5-6.0	1.75
N/A	811511	90 CW	(260.350)		(140-152)	(44.450)
1002826	N/A	90 CCW	10.25		6.0-6.5	1.75
1002827	N/A	90 CW	(260.350)		(152-165)	(44.450)
810072	818974	115 CCW	10.25		5.5	1.75
810073	818975	115 CW	(260.350)		(140)	(44.450)
N/A	815492	120 CCW	10.25		5.5-6.0	1.75
N/A	815493	120 CW	(260.350)		(140-152)	(44.450)
1008514	810988	127 CCW	10.25		5.5-6.0	1.75
1008515	810989	127 CW	(260.350)		(140-152)	(44.450)
1008514	815656	127 CCW	10.25		5.5-6.0	1.75
1008515	815657	127 CW	(260.350)		(140-152)	(44.450)
811048	816570	306 CCW	10.25		5.5-6.0	1.75
811049	816571	306 CW	(260.350)		(140-152)	(44.450)
1008810	807980	315 CCW	10.25		5.5-6.0	1.75
1008811	807981	315 CW	(260.350)		(140-152)	(44.450)
N/A	973972	330 CCW	10.25		5.5-6.0	1.75
N/A	973973	330 CW	(260.350)		(140-152)	(44.450)
N/A	811512	335 CCW	10.25		5.5-6.0	1.75
N/A	811513	335 CW	(260.350)		(140-152)	(44.450)
N/A	819608	0 CCW	10.75		5.5-6.0	1.75
N/A	819609	0 CW	(273.050)		(140-152)	(44.450)

Air Chamber Mounting Brackets 16.5" – Standard and Extended Service Brakes w/ Cast Spider
 (pages 58–80) (Brackets w/Stamped Spider See Pages 37-57)

For Models: EB-165-5D, 6D, 7D, 8D, 8F & ES-165-5D, 6D, 7D, 8D, 8F

Standard Part No.	Gussetted Part No.	"A" Bracket Angle Bracket Type	"B" Barrel Length in (mm)	"C" Slack Length in (mm)	"D" Offset in (mm)
1009062	N/A	30 CCW	10.75	5.5-6.0	1.75
1009063	N/A	30 CW	(273.050)	(140-152)	(44.450)
811660	N/A	53 CCW	10.75	5.5-6.0	1.75
811661	N/A	53 CW	(273.050)	(140-152)	(44.450)
1005166	N/A	53 CCW	10.75	6.0-6.5	1.75
1005167	N/A	53 CW	(273.050)	(152-165)	(44.450)
N/A	814130	56 CCW	10.75	5.5-6.0	1.75
N/A	814131	56 CW	(273.050)	(140-152)	(44.450)
1005164	N/A	59 CCW	10.75	6.0-6.5	1.75
1005165	N/A	59 CW	(273.050)	(152-165)	(44.450)
N/A	818460	64 CCW	10.75	5.5-6.0	2.50
N/A	818461	64 CW	(273.050)	(140-152)	(63.500)
1001370	814128	69 CCW	10.75	5.5-6.0	1.75
1001371	814129	69 CW	(273.050)	(140-152)	(44.450)
1005600	N/A	72 CCW	10.75	5.5-6.0	1.75
1005601	N/A	72 CW	(273.050)	(140-152)	(44.450)
N/A	973800	75 CCW	10.75	5.5-6.0	1.75
N/A	973801	75 CW	(273.050)	(140-152)	(44.450)
1004700	N/A	75 CCW	10.75	6.0-6.5	1.75
1004701	N/A	75 CW	(273.050)	(152-165)	(44.450)
1005982	N/A	75 CCW	10.75	6.0-6.5	1.75
1005983	N/A	75 CW	(273.050)	(152-165)	(44.450)
1006506	N/A	75 CCW	10.75	6.0-6.5	1.75
1006507	N/A	75 CW	(273.050)	(152-165)	(44.450)
1006200	818860	80 CCW	10.75	5.5-6.0	1.75
1006201	818861	80 CW	(273.050)	(140-152)	(44.450)
1003836	N/A	83 CCW	10.75	5.5-6.0	1.75
1003837	N/A	83 CW	(273.050)	(140-152)	(44.450)
974424	N/A	85 CCW	10.75	5.5-6.0	1.75
974425	N/A	85 CW	(273.050)	(140-152)	(44.450)
N/A	813124	90 CCW	10.75	5.5	1.75
N/A	813125	90 CW	(273.050)	(140)	(44.450)
806424	816216	90 CCW	10.75	5.5-6.0	1.75
806425	816217	90 CW	(273.050)	(140-152)	(44.450)
N/A	973998	113 CCW	10.75	5.5	1.75
N/A	973999	113 CW	(273.050)	(140)	(44.450)
1000673	N/A	75 CCW	10.91	5.5-6.0	1.75
1000674	N/A	75 CW	(277.010)	(140-152)	(44.450)
974312	N/A	53 CCW	11.00	5.5-6.0	1.75
974313	N/A	53 CW	(279.400)	(140-152)	(44.450)
819124	N/A	56 CCW	11.00	5.5-6.0	1.75
819125	N/A	56 CW	(279.400)	(140-152)	(44.450)
974420	N/A	66 CCW	11.00	5.5-6.0	1.75
974421	N/A	66 CW	(279.400)	(140-152)	(44.450)



Air Chamber Mounting Brackets 16.5" – Standard and Extended Service Brakes w/ Cast Spider
(pages 58–80) (Brackets w/Stamped Spider See Pages 37-57)

For Models: EB-165-5D, 6D, 7D, 8D, 8F & ES-165-5D, 6D, 7D, 8D, 8F

Standard Part No.	Gussetted Part No.	"A" Bracket Angle Bracket Type	"B" Barrel Length in (mm)	"C" Slack Length in (mm)	"D" Offset in (mm)
974314	N/A	72 CCW	11.00	5.5-6.0	1.75
974315	N/A	72 CW	(279.400)	(140-152)	(44.450)
808742	N/A	78 CCW	11.00	5.5-6.0	1.75
808743	N/A	78 CW	(279.400)	(140-152)	(44.450)
811362	817382	85 CCW	11.00	5.5-6.0	1.75
811363	817383	85 CW	(279.400)	(140-152)	(44.450)
1005862	N/A	112 CCW	11.00	5.5-6.0	1.75
1005863	N/A	112 CW	(279.400)	(140-152)	(44.450)
N/A	953758	39 CCW	11.22	5.5	1.75
N/A	953759	39 CW	(284.960)	(140)	(44.450)
N/A	975060	45 CCW	11.22	5.5-6.0	1.75
N/A	975061	45 CW	(284.960)	(140-152)	(44.450)
1000211	N/A	45 CW	11.22	6.0-6.5	1.75
1000212	N/A	45 CCW	(284.960)	(152-165)	(44.450)
810092	N/A	50 CCW	11.22	5.5-6.0	1.75
810093	N/A	50 CW	(284.960)	(140-152)	(44.450)
808540	N/A	53 CCW	11.22	6.0-6.5	1.75
808541	N/A	53 CW	(284.960)	(152-165)	(44.450)
N/A	813406	53 CCW	11.22	5.5-6.0	1.75
N/A	813407	53 CW	(284.960)	(140-152)	(44.450)
N/A	815600	56 CCW	11.22	5.5	1.75
N/A	815601	56 CW	(284.960)	(140)	(44.450)
1002546	973560	56 CCW	11.22	5.5-6.0	1.75
1002547	973561	56 CW	(284.960)	(140-152)	(44.450)
N/A	817428	60 CCW	11.22	5.5-6.0	1.75
N/A	817429	60 CW	(284.960)	(140-152)	(44.450)
1008838	N/A	60 CCW	11.22	6.0-6.5	1.75
1008839	N/A	60 CW	(284.960)	(152-165)	(44.450)
819220	N/A	63 CCW	11.22	5.5-6.0	1.75
819221	N/A	63 CW	(284.960)	(140-152)	(44.450)
N/A	953750	63 CCW	11.22	5.5	1.75
N/A	953751	63 CW	(284.960)	(140)	(44.450)
N/A	817566	65 CCW	11.22	5.5-6.0	1.75
N/A	817567	65 CW	(284.960)	(140-152)	(44.450)
82597	N/A	69 CW	11.22	6.0-6.5	1.75
82598	N/A	69 CCW	(284.960)	(152-165)	(44.450)
1005878	N/A	69 CCW	11.22	6.0-6.5	1.75
1005879	N/A	69 CW	(284.960)	(152-165)	(44.450)
1006378	N/A	69 CCW	11.22	6.0-6.5	1.75
1006379	N/A	69 CW	(284.960)	(152-165)	(44.450)
1002544	815876	69 CCW	11.22	5.5-6.0	1.75
1002545	815877	69 CW	(284.960)	(140-152)	(44.450)
1008350	815522	72 CCW	11.22	5.5-6.0	1.75
1008351	815523	72 CW	(284.960)	(140-152)	(44.450)

Air Chamber Mounting Brackets 16.5" – Standard and Extended Service Brakes w/ Cast Spider
 (pages 58–80) (Brackets w/Stamped Spider See Pages 37-57)

For Models: EB-165-5D, 6D, 7D, 8D, 8F & ES-165-5D, 6D, 7D, 8D, 8F

Standard Part No.	Gussetted Part No.	Bracket Angle Bracket Type	"A" Barrel Length in (mm)	"B" Barrel Length in (mm)	"C" Slack Length in (mm)	"D" Offset in (mm)
89174	N/A	75 CCW	11.22		6.0-6.5	1.75
89175	N/A	75 CW		(284.960)	(152-165)	(44.450)
813474	N/A	75 CCW	11.22		5.5	1.75
813475	N/A	75 CW		(284.960)	(140)	(44.450)
1006470	N/A	75 CCW	11.22		6.0-6.5	1.75
1006471	N/A	75 CW		(284.960)	(152-165)	(44.450)
811206	975554	75 CCW	11.22		5.5-6.0	1.75
811207	975555	75 CW		(284.960)	(140-152)	(44.450)
N/A	813074	79 CCW	11.22		5.5-6.0	1.75
N/A	813075	79 CW		(284.960)	(140-152)	(44.450)
1005698	N/A	80 CCW	11.22		6.0-6.5	1.75
1005699	N/A	80 CW		(284.960)	(152-165)	(44.450)
1005970	N/A	80 CCW	11.22		5.5-6.0	1.75
1005971	N/A	80 CW		(284.960)	(140-152)	(44.450)
808738	N/A	83 CCW	11.22		5.5-6.0	1.75
808739	N/A	83 CW		(284.960)	(140-152)	(44.450)
N/A	974652	84 CCW	11.22		5.5-6.0	1.75
N/A	974653	84 CW		(284.960)	(140-152)	(44.450)
1005700	N/A	85 CCW	11.22		6.0-6.5	1.75
1005701	N/A	85 CW		(284.960)	(152-165)	(44.450)
N/A	817022	90 CCW	11.22		5.5-6.0	1.75
N/A	817023	90 CW		(284.960)	(140-152)	(44.450)
N/A	818588	95 CCW	11.22		5.5-6.0	1.75
N/A	818589	95 CW		(284.960)	(140-152)	(44.450)
N/A	974648	50 CCW	11.50		5.5-6.0	1.75
N/A	974649	50 CW		(292.100)	(140-152)	(44.450)
973966	N/A	80 CCW	11.50		5.5-6.0	1.75
973967	N/A	80 CW		(292.100)	(140-152)	(44.450)
974784	N/A	80 CCW	11.50		5.5-6.0	1.75
974785	N/A	80 CW		(292.100)	(140-152)	(44.450)
N/A	975406	65 CCW	11.63		5.5-6.0	1.75
N/A	975407	65 CW		(295.275)	(140-152)	(44.450)
N/A	818710	72 CCW	11.63		5.5-6.0	1.75
N/A	818711	72 CW		(295.275)	(140-152)	(44.450)
N/A	819164	72 CCW	11.63		5.5-6.0	1.75
N/A	819165	72 CW		(295.275)	(140-152)	(44.450)
N/A	816886	75 CCW	11.63		5.5-6.0	1.75
N/A	816887	75 CW		(295.275)	(140-152)	(44.450)
N/A	974154	90 CCW	11.63		5.5-6.0	1.75
N/A	974155	90 CW		(295.275)	(140-152)	(44.450)
N/A	975736	65 CCW	11.75		5.5-6.0	1.75
N/A	975737	65 CW		(298.450)	(140-152)	(44.450)
N/A	974656	30 CCW	12.06		5.5	1.75
N/A	974657	30 CW		(306.400)	(140)	(44.450)



Air Chamber Mounting Brackets 16.5" – Standard and Extended Service Brakes w/ Cast Spider
(pages 58–80) (Brackets w/Stamped Spider See Pages 37-57)

For Models: EB-165-5D, 6D, 7D, 8D, 8F & ES-165-5D, 6D, 7D, 8D, 8F

Standard Part No.	Gussetted Part No.	"A" Bracket Angle Bracket Type	"B" Barrel Length in (mm)	"C" Slack Length in (mm)	"D" Offset in (mm)
N/A	975308	30 CCW	12.06	5.5-6.0	1.75
N/A	975309	30 CW	(306.400)	(140-152)	(44.450)
1009064	N/A	36 CCW	12.06	5.5-6.0	1.75
1009065	N/A	36 CW	(306.400)	(140-152)	(44.450)
N/A	975014	42 CCW	12.06	5.5-6.0	1.75
N/A	975015	42 CW	(306.400)	(140-152)	(44.450)
N/A	974658	44 CCW	12.06	5.5	1.75
N/A	974659	44 CW	(306.400)	(140)	(44.450)
N/A	816990	50 CCW	12.06	5.5-6.0	1.75
N/A	816991	50 CW	(306.400)	(140-152)	(44.450)
1002708	N/A	53 CCW	12.06	6.0-6.5	1.75
1002709	N/A	53 CW	(306.400)	(152-165)	(44.450)
N/A	973578	54 CCW	12.06	5.5-6.0	1.75
N/A	973579	54 CW	(306.400)	(140-152)	(44.450)
N/A	818892	55 CCW	12.06	5.5	1.75
N/A	818893	55 CW	(306.400)	(140)	(44.450)
N/A	973924	58 CCW	12.06	5.5-6.0	1.75
N/A	973925	58 CW	(306.400)	(140-152)	(44.450)
N/A	817240	60 CCW	12.06	5.5-6.0	1.75
N/A	817241	60 CW	(306.400)	(140-152)	(44.450)
N/A	973598	60 CCW	12.06	5.5-6.0	1.75
N/A	973599	60 CW	(306.400)	(140-152)	(44.450)
1005688	N/A	60 CCW	12.06	6.0-6.5	1.75
1005689	N/A	60 CW	(306.400)	(152-165)	(44.450)
N/A	818894	65 CCW	12.06	5.5	1.75
N/A	818895	65 CW	(306.400)	(140)	(44.450)
N/A	973926	68 CCW	12.06	5.5-6.0	1.75
N/A	973927	68 CW	(306.400)	(140-152)	(44.450)
N/A	973824	69 CCW	12.06	5.5-6.0	1.75
N/A	973825	69 CW	(306.400)	(140-152)	(44.450)
N/A	818890	69 CCW	12.06	5.5	1.75
N/A	818891	69 CW	(306.400)	(140)	(44.450)
1001596	N/A	69 CCW	12.06	6.0-6.5	1.75
1001597	N/A	69 CW	(306.400)	(152-165)	(44.450)
1004522	817434	69 CCW	12.06	5.5-6.0	1.75
1004523	817435	69 CW	(306.400)	(140-152)	(44.450)
812838	817434	69 CCW	12.06	5.5-6.0	1.75
812839	817435	69 CW	(306.400)	(140-152)	(44.450)
973588	N/A	69 CCW	12.06	5.5-6.0	2.81
973589	N/A	69 CW	(306.400)	(140-152)	(71.374)
N/A	974022	72 CCW	12.06	5.5-6.0	1.75
N/A	974023	72 CW	(306.400)	(140-152)	(44.450)
1002706	N/A	72 CCW	12.06	6.0-6.5	1.75
1002707	N/A	72 CW	(306.400)	(152-165)	(44.450)

Air Chamber Mounting Brackets 16.5" – Standard and Extended Service Brakes w/ Cast Spider
 (pages 58–80) (Brackets w/Stamped Spider See Pages 37-57)

For Models: EB-165-5D, 6D, 7D, 8D, 8F & ES-165-5D, 6D, 7D, 8D, 8F

Standard Part No.	Gussetted Part No.	Bracket Angle Bracket Type	"A" Barrel Length in (mm)	"B" Barrel Length in (mm)	"C" Slack Length in (mm)	"D" Offset in (mm)
1006034	N/A	76 CCW	12.06		5.5-6.0	1.75
1006035	N/A	76 CW	(306.400)		(140-152)	(44.450)
N/A	975200	78 CCW	12.06		5.5-6.0	1.75
N/A	975201	78 CW	(306.400)		(140-152)	(44.450)
N/A	974668	80 CCW	12.06		5.5	1.75
N/A	974669	80 CW	(306.400)		(140)	(44.450)
1005566	N/A	82 CCW	12.06		5.5-6.0	1.75
1005567	N/A	82 CW	(306.400)		(140-152)	(44.450)
N/A	817522	83 CCW	12.06		5.5-6.0	1.75
N/A	817523	83 CW	(306.400)		(140-152)	(44.450)
N/A	818896	90 CCW	12.06		5.5	1.75
N/A	818897	90 CW	(306.400)		(140)	(44.450)
N/A	974116	90 CCW	12.06		5.5-6.0	1.75
N/A	974117	90 CW	(306.400)		(140-152)	(44.450)
1006454	N/A	93 CCW	12.06		5.5-6.0	2.81
1006455	N/A	93 CW	(306.400)		(140-152)	(71.374)
1003304	N/A	95 CCW	12.06		6.0-6.5	1.75
1003305	N/A	95 CW	(306.400)		(152-165)	(44.450)
N/A	953828	99 CCW	12.06		5.5-6.0	1.75
N/A	953829	99 CW	(306.400)		(140-152)	(44.450)
N/A	818200	104 CCW	12.06		5.5-6.0	1.75
N/A	818201	104 CW	(306.400)		(140-152)	(44.450)
N/A	974670	108 CCW	12.06		5.5	1.75
N/A	974671	108 CW	(306.400)		(140)	(44.450)
N/A	817004	13 CCW	12.06		5.5-6.0	1.75
N/A	817005	13 CW	(306.400)		(140-152)	(44.450)
N/A	816982	68 CCW	12.37		5.5-6.0	1.75
N/A	816983	68 CW	(314.198)		(140-152)	(44.450)
N/A	973606	90 CCW	12.37		5.5-6.0	1.75
N/A	973607	90 CW	(314.198)		(140-152)	(44.450)
807718	819404	95 CCW	12.37		5.5-6.0	1.75
807719	819405	95 CW	(314.198)		(140-152)	(44.450)
N/A	975552	102 CCW	12.37		5.5-6.0	1.75
N/A	975553	102 CW	(314.198)		(140-152)	(44.450)
N/A	819402	106 CCW	12.37		5.5-6.0	1.75
N/A	819403	106 CW	(314.198)		(140-152)	(44.450)
N/A	812078	14 CCW	12.56		5.5-6.0	1.75
N/A	812079	14 CW	(319.100)		(140-152)	(44.450)
N/A	816650	42 CCW	12.56		5.5-6.0	1.75
N/A	816651	42 CW	(319.100)		(140-152)	(44.450)
N/A	974984	48 CCW	12.56		5.5-6.0	1.75
N/A	974985	48 CW	(319.100)		(140-152)	(44.450)
N/A	811218	55 CCW	12.56		5.5	1.75
N/A	811219	55 CW	(319.100)		(140)	(44.450)



Air Chamber Mounting Brackets 16.5" – Standard and Extended Service Brakes w/ Cast Spider
(pages 58–80) (Brackets w/Stamped Spider See Pages 37-57)

For Models: EB-165-5D, 6D, 7D, 8D, 8F & ES-165-5D, 6D, 7D, 8D, 8F

Standard Part No.	Gussetted Part No.	"A" Bracket Angle Bracket Type	"B" Barrel Length in (mm)	"C" Slack Length in (mm)	"D" Offset in (mm)
N/A	817614	55 CCW	12.56	5.5-6.0	1.75
N/A	817615	55 CW	(319.100)	(140-152)	(44.450)
N/A	953750/1	63 CCW	12.56	5.5-6.0	1.75
N/A	953548/9	63 CW	(319.100)	(140-152)	(44.450)
N/A	811220	65 CCW	12.56	5.5	1.75
N/A	811221	65 CW	(319.100)	(140)	(44.450)
N/A	811270	69 CCW	12.56	5.5	1.75
N/A	811271	69 CW	(319.100)	(140)	(44.450)
N/A	817612	69 CCW	12.56	5.5-6.0	1.75
N/A	817613	69 CW	(319.100)	(140-152)	(44.450)
807116	N/A	70 CCW	12.56	6.0-6.5	1.75
807117	N/A	70 CW	(319.100)	(152-165)	(44.450)
N/A	811346	71 CCW	12.56	5.5-6.0	1.75
N/A	811347	71 CW	(319.100)	(140-152)	(44.450)
N/A	811222	90 CCW	12.56	5.5	1.75
N/A	811223	90 CW	(319.100)	(140)	(44.450)
89847	N/A	10 CW	12.81	6.0-6.5	1.75
89848	N/A	10 CCW	(325.450)	(152-165)	(44.450)
N/A	817068	10 CCW	12.81	5.5-6.0	1.75
N/A	817069	10 CW	(325.450)	(140-152)	(44.450)
815842	N/A	30 CCW	12.81	5.5-6.0	1.75
815843	N/A	30 CW	(325.450)	(140-152)	(44.450)
973528	N/A	51 CCW	12.81	5.5-6.0	1.75
973529	N/A	51 CW	(325.450)	(140-152)	(44.450)
N/A	818400	55 CCW	12.81	5.5-6.0	1.75
N/A	818401	55 CW	(325.450)	(140-152)	(44.450)
N/A	813750	56 CCW	12.81	5.5	1.75
N/A	813751	56 CW	(325.450)	(140)	(44.450)
975666	N/A	56 CCW	12.81	5.5-6.0	1.75
975667	N/A	56 CW	(325.450)	(140-152)	(44.450)
1008902	N/A	60 CCW	12.81	5.5-6.0	1.75
1008903	N/A	60 CW	(325.450)	(140-152)	(44.450)
N/A	953548	63 CCW	12.81	5.5	1.75
N/A	953549	63 CW	(325.450)	(140)	(44.450)
973526	N/A	63 CCW	12.81	5.5-6.0	1.75
973527	N/A	63 CW	(325.450)	(140-152)	(44.450)
89836	N/A	65 CW	12.81	5.5-6.0	1.75
89837	N/A	65 CCW	(325.450)	(140-152)	(44.450)
1008606	N/A	65 CCW	12.81	5.5-6.0	1.75
1008607	N/A	65 CW	(325.450)	(140-152)	(44.450)
N/A	818402	69 CCW	12.81	5.5-6.0	1.75
N/A	818403	69 CW	(325.450)	(140-152)	(44.450)
973582	N/A	69 CCW	12.81	5.5-6.0	2.81
973583	N/A	69 CW	(325.450)	(140-152)	(71.374)

Air Chamber Mounting Brackets 16.5" – Standard and Extended Service Brakes w/ Cast Spider (pages 58–80) (Brackets w/Stamped Spider See Pages 37-57)

For Models: EB-165-5D, 6D, 7D, 8D, 8F & ES-165-5D, 6D, 7D, 8D, 8F

Standard Part No.	Gussetted Part No.	Bracket Angle Bracket Type	"A" Barrel Length in (mm)	"B" Barrel Length in (mm)	"C" Slack Length in (mm)	"D" Offset in (mm)
814280	N/A	72 CCW	12.81	12.81	5.5-6.0	1.75
814281	N/A	72 CW	(325.450)	(325.450)	(140-152)	(44.450)
89766	N/A	73 CCW	12.81	12.81	6.0-6.5	1.75
89767	N/A	73 CW	(325.450)	(325.450)	(152-165)	(44.450)
N/A	818768	80 CCW	12.81	12.81	5.5-6.0	1.75
N/A	818769	80 CW	(325.450)	(325.450)	(140-152)	(44.450)
N/A	974662	80 CCW	12.81	12.81	5.5	1.75
N/A	974663	80 CW	(325.450)	(325.450)	(140)	(44.450)
1003820	N/A	87 CCW	12.81	12.81	5.5-6.0	1.75
1003821	N/A	87 CW	(325.450)	(325.450)	(140-152)	(44.450)
N/A	974664	90 CCW	12.81	12.81	5.5	1.75
N/A	974665	90 CW	(325.450)	(325.450)	(140)	(44.450)
1006202	817870	90 CCW	12.81	12.81	5.5-6.0	1.75
1006203	817871	90 CW	(325.450)	(325.450)	(140-152)	(44.450)
1004548	N/A	93 CCW	12.81	12.81	5.5-6.0	2.81
1004549	N/A	93 CW	(325.450)	(325.450)	(140-152)	(71.374)
1004556	N/A	95 CCW	12.81	12.81	5.5-6.0	1.75
1004557	N/A	95 CW	(325.450)	(325.450)	(140-152)	(44.450)
818582	N/A	324 CCW	12.81	12.81	5.5-6.0	1.75
818583	N/A	324 CW	(325.450)	(325.450)	(140-152)	(44.450)
N/A	975438	46 CCW	13.00	13.00	5.5-6.0	1.75
N/A	975439	46 CW	(330.200)	(330.200)	(140-152)	(44.450)
N/A	817180	59 CCW	13.00	13.00	5.5-6.0	1.75
N/A	817181	59 CW	(330.200)	(330.200)	(140-152)	(44.450)
N/A	974456	65 CCW	13.00	13.00	5.5-6.0	1.75
N/A	974457	65 CW	(330.200)	(330.200)	(140-152)	(44.450)
818302	816582	68 CCW	13.00	13.00	5.5-6.0	1.75
818303	816583	68 CW	(330.200)	(330.200)	(140-152)	(44.450)
973512	N/A	70 CCW	13.00	13.00	5.5-6.0	1.75
973513	N/A	70 CW	(330.200)	(330.200)	(140-152)	(44.450)
N/A	818830	74 CCW	13.00	13.00	5.5-6.0	1.75
N/A	818831	74 CW	(330.200)	(330.200)	(140-152)	(44.450)
N/A	975082	102 CCW	13.00	13.00	5.5-6.0	1.75
N/A	975083	102 CW	(330.200)	(330.200)	(140-152)	(44.450)
N/A	817554	90 CCW	13.00	13.00	5.5-6.0	1.75
N/A	817555	90 CW	(330.200)	(330.200)	(140-152)	(44.450)
N/A	816218	78 CCW	13.28	13.28	5.5-6.0	1.75
N/A	816219	78 CW	(337.337)	(337.337)	(140-152)	(44.450)
N/A	817294	90 CCW	13.28	13.28	5.5-6.0	1.75
N/A	817295	90 CW	(337.337)	(337.337)	(140-152)	(44.450)
N/A	974736	42 CCW	13.50	13.50	5.5-6.0	1.75
N/A	974737	42 CW	(342.900)	(342.900)	(140-152)	(44.450)
974200	975362	69 CCW	13.50	13.50	5.5-6.0	1.75
974201	975363	69 CW	(342.900)	(342.900)	(140-152)	(44.450)



Air Chamber Mounting Brackets 16.5" – Standard and Extended Service Brakes w/ Cast Spider
(pages 58–80) (Brackets w/Stamped Spider See Pages 37-57)

For Models: EB-165-5D, 6D, 7D, 8D, 8F & ES-165-5D, 6D, 7D, 8D, 8F

Standard Part No.	Gussetted Part No.	Bracket Angle Bracket Type	Barrel Length in (mm)	"C" Slack Length in (mm)	"D" Offset in (mm)
N/A	973822	10 CCW	13.69	5.5-6.0	1.75
N/A	973823	10 CW	(347.675)	(140-152)	(44.450)
1008188	N/A	10 CCW	13.75	6.0-6.5	1.75
1008189	N/A	10 CW	(349.250)	(152-165)	(44.450)
1009394	817072	10 CCW	13.75	5.5-6.0	1.75
1009395	817073	10 CW	(349.250)	(140-152)	(44.450)
N/A	817520	42 CCW	13.75	5.5-6.0	1.75
N/A	817521	42 CW	(349.250)	(140-152)	(44.450)
N/A	973500	60 CCW	13.75	5.5-6.0	1.75
N/A	973501	60 CW	(349.250)	(140-152)	(44.450)
N/A	817344	69 CCW	13.75	5.5-6.0	1.75
N/A	817345	69 CW	(349.250)	(140-152)	(44.450)
1009224	817794	72 CCW	13.75	5.5-6.0	1.75
1009225	817795	72 CW	(349.250)	(140-152)	(44.450)
N/A	817432	90 CCW	13.75	5.5-6.0	1.75
N/A	817433	90 CW	(349.250)	(140-152)	(44.450)
N/A	819818	60 CCW	14.00	5.5-6.0	1.75
N/A	819819	60 CW	(355.600)	(140-152)	(44.450)
N/A	817480	81 CCW	14.00	5.5-6.0	1.75
N/A	817481	81 CW	(355.600)	(140-152)	(44.450)
N/A	818584	81 CCW	14.00	5.5-6.0	1.75
N/A	818585	81 CW	(355.600)	(140-152)	(44.450)
814644	N/A	90 CCW	14.00	5.5-6.0	1.75
814645	N/A	90 CW	(355.600)	(140-152)	(44.450)
N/A	974144	60 CCW	14.35	5.5-6.0	1.75
N/A	974145	60 CW	(364.363)	(140-152)	(44.450)
814286	815898	72 CCW	14.35	5.5-6.0	1.75
814287	815899	72 CW	(364.363)	(140-152)	(44.450)
N/A	818528	80 CCW	14.35	5.5-6.0	1.75
N/A	818529	80 CW	(364.363)	(140-152)	(44.450)
813578	N/A	90 CCW	14.35	5.5-6.0	1.75
813579	N/A	90 CW	(364.363)	(140-152)	(44.450)
N/A	975016	42 CCW	14.69	5.5-6.0	1.75
N/A	975017	42 CW	(373.126)	(140-152)	(44.450)
N/A	817928	45 CCW	14.69	5.5-6.0	1.75
N/A	817929	45 CW	(373.126)	(140-152)	(44.450)
N/A	817848	50 CCW	14.69	5.5-6.0	1.75
N/A	817849	50 CW	(373.126)	(140-152)	(44.450)
1006196	N/A	50 CCW	14.69	6.0-6.5	1.75
1006197	N/A	50 CW	(373.126)	(152-165)	(44.450)
N/A	975018	56 CCW	14.69	5.5-6.0	1.75
N/A	975019	56 CW	(373.126)	(140-152)	(44.450)
N/A	973828	60 CCW	14.69	5.5-6.0	1.75
N/A	973829	60 CW	(373.126)	(140-152)	(44.450)

Air Chamber Mounting Brackets 16.5" – Standard and Extended Service Brakes w/ Cast Spider
 (pages 58–80) (Brackets w/Stamped Spider See Pages 37-57)

For Models: EB-165-5D, 6D, 7D, 8D, 8F & ES-165-5D, 6D, 7D, 8D, 8F

Standard Part No.	Gussetted Part No.	"A" Bracket Angle Bracket Type	"B" Barrel Length in (mm)	"C" Slack Length in (mm)	"D" Offset in (mm)
811190	818606	60 CCW	14.69	5.5-6.0	1.75
811191	818607	60 CW	(373.126)	(140-152)	(44.450)
N/A	817272	65 CCW	14.69	5.5-6.0	1.75
N/A	817273	65 CW	(373.126)	(140-152)	(44.450)
810588	815896	69 CCW	14.69	5.5-6.0	1.75
810589	815897	69 CW	(373.126)	(140-152)	(44.450)
817768	818798	72 CCW	14.69	5.5-6.0	1.75
817769	818799	72 CW	(373.126)	(140-152)	(44.450)
807386	N/A	73 CCW	14.69	6.0-6.5	1.75
807387	N/A	73 CW	(373.126)	(152-165)	(44.450)
N/A	815678	73 CCW	14.69	5.5-6.0	1.75
N/A	815679	73 CW	(373.126)	(140-152)	(44.450)
N/A	973776	78 CCW	14.69	5.5-6.0	1.75
N/A	973777	78 CW	(373.126)	(140-152)	(44.450)
N/A	816048	83 CCW	14.69	5.5-6.0	1.75
N/A	816049	83 CW	(373.126)	(140-152)	(44.450)
814850	N/A	83 CCW	14.69	5.5-6.0	1.75
814851	N/A	83 CW	(373.126)	(140-152)	(44.450)
N/A	974666	64 CCW	15.44	5.5	1.75
N/A	974667	64 CW	(392.176)	(140)	(44.450)
N/A	975072	102 CCW	15.44	5.5-6.0	1.75
N/A	975073	102 CW	(392.176)	(140-152)	(44.450)
974610	N/A	337 CCW	15.44	5.5-6.0	1.75
974611	N/A	337 CW	(392.176)	(140-152)	(44.450)
N/A	819366	56 CCW	15.75	5.5	1.75
N/A	819367	56 CW	(400.050)	(140)	(44.450)
N/A	817632	78 CCW	15.75	5.5-6.0	1.75
N/A	817633	78 CW	(400.050)	(140-152)	(44.450)
N/A	818232	79 CCW	15.88	5.5-6.0	1.75
N/A	818233	79 CW	(403.225)	(140-152)	(44.450)
N/A	974146	72 CCW	16.25	5.5-6.0	1.75
N/A	974147	72 CW	(412.750)	(140-152)	(44.450)
N/A	974932	80 CCW	16.25	5.5-6.0	1.75
N/A	974933	80 CW	(412.750)	(140-152)	(44.450)
N/A	974974	87 CCW	16.25	5.5-6.0	1.75
N/A	974975	87 CW	(412.750)	(140-152)	(44.450)
1006700	N/A	45 CCW	17.31	6.0-6.5	1.75
1006701	N/A	45 CW	(439.750)	(152-165)	(44.450)
N/A	818668	60 CCW	17.31	5.5-6.0	1.75
N/A	818669	60 CW	(439.750)	(140-152)	(44.450)
89457	N/A	69 CW	17.31	5.5-6.0	1.75
89458	N/A	69 CCW	(439.750)	(140-152)	(44.450)
89482	N/A	73 CW	17.31	6.0-6.5	1.75
89483	N/A	73 CCW	(439.750)	(152-165)	(44.450)



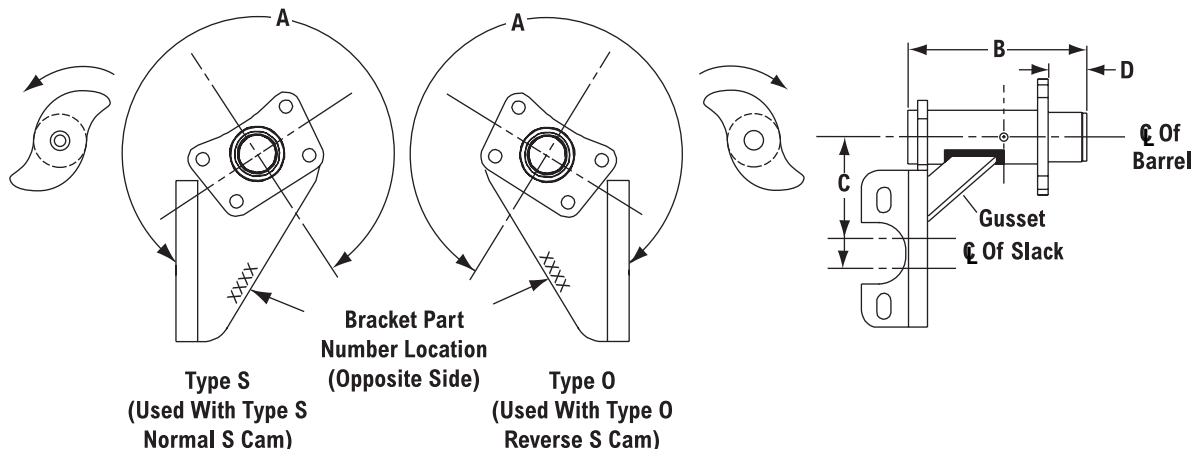
Air Chamber Mounting Brackets 16.5" – Standard and Extended Service Brakes w/ Cast Spider
(pages 58–80) (Brackets w/Stamped Spider See Pages 37-57)

For Models: EB-165-5D, 6D, 7D, 8D, 8F & ES-165-5D, 6D, 7D, 8D, 8F

Standard Part No.	Gussetted Part No.	"A" Bracket Angle Bracket Type	"B" Barrel Length in (mm)	"C" Slack Length in (mm)	"D" Offset in (mm)
N/A	974248	70 CCW	18.81	5.5	1.75
N/A	974249	70 CW	(477.850)	(140)	(44.450)
1001162	N/A	70 CCW	18.81	6.0-6.5	1.75
1001163	N/A	70 CW	(477.850)	(152-165)	(44.450)
974000	N/A	80 CCW	18.81	5.5-6.0	1.75
974001	N/A	80 CW	(477.850)	(140-152)	(44.450)
974786	N/A	80 CCW	18.81	5.5-6.0	1.75
974787	N/A	80 CW	(477.850)	(140-152)	(44.450)

Air Chamber Mounting Brackets 16.5" x 7" – Extended Service Brakes w/ Dual Anchor Pin Cast Spider (pages 81–87)

For Models: ES-165-7M & ES-165-7H



Note: Brackets listed by barrel length "B".

Gussetted Part No.	"A" Bracket Angle Bracket Type	"B" Barrel Length in (mm)	"C" Slack Length in (mm)	"D" Offset in (mm)
975372	312 CCW	7.06	5.5	1.75
975373	312 CW	(179.400)	(140)	(44.450)
975690	60 CCW	7.56	5.5-6.0	1.75
975691	60 CW	(192.100)	(140-152)	(44.450)
975386	310 CCW	7.56	5.5	1.75
975387	310 CW	(192.100)	(140)	(44.450)
813684	72 CCW	7.97	5.5-6.0	1.75
813685	72 CW	(202.410)	(140-152)	(44.450)
815404	72 CCW	7.97	6.0-6.5	1.75
815405	72 CW	(202.410)	(152-165)	(44.450)
813110	69 CCW	8.31	5.5-6.0	1.75
813111	69 CW	(211.150)	(140-152)	(44.450)
973914	325 CCW	8.31	5.5-6.0	1.75
973915	325 CW	(211.150)	(140-152)	(44.450)
974288	56 CCW	8.50	5.5-6.0	1.75
974289	56 CW	(215.900)	(140-152)	(44.450)
975624	25 CCW	8.56	5.5-6.0	1.75
975625	25 CW	(217.500)	(140-152)	(44.450)
975494	38 CCW	8.56	5.5-6.0	1.75
975495	38 CW	(217.500)	(140-152)	(44.450)
974176	0 CCW	8.97	5.5-6.0	1.75
974177	0 CW	(227.810)	(140-152)	(44.450)
816236	50 CCW	8.97	5.5-6.0	1.75
816237	50 CW	(227.810)	(140-152)	(44.450)
817884	60 CCW	8.97	5.5-6.0	1.75
817885	60 CW	(227.810)	(140-152)	(44.450)
817798	70 CCW	8.97	5.5-6.0	1.75
817799	70 CW	(227.810)	(140-152)	(44.450)



Air Chamber Mounting Brackets 16.5" x 7" – Extended Service Brakes w/ Dual Anchor Pin Cast Spider (pages 81–87)

For Models: ES-165-7M & ES-165-7H

Gussetted Part No.	"A" Bracket Angle Bracket Type	"B" Barrel Length in (mm)	"C" Slack Length in (mm)	"D" Offset in (mm)
816234	75 CCW	8.97	5.5-6.0	1.75
816235	75 CW	(227.810)	(140-152)	(44.450)
818490	79 CCW	8.97	5.5-6.0	1.75
818491	79 CW	(227.810)	(140-152)	(44.450)
815640	88 CCW	8.97	5.5-6.0	1.75
815641	88 CW	(227.810)	(140-152)	(44.450)
817560	90 CCW	8.97	5.5-6.0	1.75
817561	90 CW	(227.810)	(140-152)	(44.450)
817288	95 CCW	8.97	5.5-6.0	1.75
817289	95 CW	(227.810)	(140-152)	(44.450)
817290	105 CCW	8.97	5.5-6.0	1.75
817291	105 CW	(227.810)	(140-152)	(44.450)
815642	111 CCW	8.97	5.5-6.0	1.75
815643	111 CW	(227.810)	(140-152)	(44.450)
810496	0 CCW	9.31	5.5-6.0	1.75
810497	0 CW	(236.550)	(140-152)	(44.450)
814438	26 CCW	9.31	5.5-6.0	1.75
814439	26 CW	(236.550)	(140-152)	(44.450)
818004	30 CCW	9.31	5.5-6.0	1.75
818005	30 CW	(236.550)	(140-152)	(44.450)
975502	40 CCW	9.31	5.5-6.0	1.75
975503	40 CW	(236.550)	(140-152)	(44.450)
811958	45 CCW	9.31	5.5-6.0	1.75
811959	45 CW	(236.550)	(140-152)	(44.450)
810628	50 CCW	9.31	5.5-6.0	1.75
810629	50 CW	(236.550)	(140-152)	(44.450)
810204	53 CCW	9.31	5.5-6.0	1.75
810205	53 CW	(236.550)	(140-152)	(44.450)
818664	55 CCW	9.31	5.5-6.0	1.75
818665	55 CW	(236.550)	(140-152)	(44.450)
814782	56 CCW	9.31	5.5-6.0	1.75
814783	56 CW	(236.550)	(140-152)	(44.450)
809946	60 CCW	9.31	5.5-6.0	1.75
809947	60 CW	(236.550)	(140-152)	(44.450)
809892	65 CCW	9.31	5.5-6.0	1.75
809893	65 CW	(236.550)	(140-152)	(44.450)
812710	69 CCW	9.31	5.5-6.0	1.75
812711	69 CW	(236.550)	(140-152)	(44.450)
810202	72 CCW	9.31	5.5-6.0	1.75
810203	72 CW	(236.550)	(140-152)	(44.450)
809894	75 CCW	9.31	5.5-6.0	1.75
809895	75 CW	(236.550)	(140-152)	(44.450)
810642	80 CCW	9.31	5.5-6.0	1.75
810643	80 CW	(236.550)	(140-152)	(44.450)

Air Chamber Mounting Brackets 16.5" x 7" – Extended Service Brakes w/ Dual Anchor Pin Cast Spider (pages 81–87)

For Models: ES-165-7M & ES-165-7H

Gussetted Part No.	"A" Bracket Angle Bracket Type	"B" Barrel Length in (mm)	"C" Slack Length in (mm)	"D" Offset in (mm)
816542	85 CCW	9.31	5.5-6.0	1.75
816543	85 CW	(236.550)	(140-152)	(44.450)
815872	90 CCW	9.31	5.5-6.0	1.75
815873	90 CW	(236.550)	(140-152)	(44.450)
975626	96 CCW	9.31	5.5-6.0	1.75
975627	96 CW	(236.550)	(140-152)	(44.450)
818480	98 CCW	9.31	5.5-6.0	1.75
818481	98 CW	(236.550)	(140-152)	(44.450)
819400	102 CCW	9.31	5.5-6.0	1.75
819401	102 CW	(236.550)	(140-152)	(44.450)
812150	108 CCW	9.31	5.5-6.0	1.75
812151	108 CW	(236.550)	(140-152)	(44.450)
818482	114 CCW	9.31	5.5-6.0	1.75
818483	114 CW	(236.550)	(140-152)	(44.450)
973916	325 CCW	9.31	5.5-6.0	1.75
973917	325 CW	(236.550)	(140-152)	(44.450)
817012	50 CCW	9.67	5.5-6.0	1.75
817013	50 CW	(245.690)	(140-152)	(44.450)
817930	56 CCW	9.67	5.5-6.0	1.75
817931	56 CW	(245.690)	(140-152)	(44.450)
817932	69 CCW	9.67	5.5-6.0	1.75
817933	69 CW	(245.690)	(140-152)	(44.450)
973754	69 CCW	9.67	5.5-6.0	1.75
973755	69 CW	(245.690)	(140-152)	(44.450)
817080	72 CCW	9.67	5.5-6.0	1.75
817081	72 CW	(245.690)	(140-152)	(44.450)
817010	80 CCW	9.67	5.5-6.0	1.75
817011	80 CW	(245.690)	(140-152)	(44.450)
974520	86 CCW	9.67	5.5-6.0	1.75
974521	86 CW	(245.690)	(140-152)	(44.450)
975710	346 CCW	9.67	5.5-6.0	1.75
975711	346 CW	(245.690)	(140-152)	(44.450)
819592	38 CCW	10.00	5.5-6.0	1.75
819593	38 CW	(254.000)	(140-152)	(44.450)
819594	52 CCW	10.00	5.5-6.0	1.75
819595	52 CW	(254.000)	(140-152)	(44.450)
973764	53 CCW	10.25	5.5-6.0	1.75
973765	53 CW	(260.350)	(140-152)	(44.450)
953652	57 CCW	10.25	5.5-6.0	1.75
953653	57 CW	(260.350)	(140-152)	(44.450)
975076	60 CCW	10.25	5.5-6.0	1.75
975077	60 CW	(260.350)	(140-152)	(44.450)
953628	69 CCW	10.25	5.5-6.0	1.75
953629	69 CW	(260.350)	(140-152)	(44.450)



Air Chamber Mounting Brackets 16.5" x 7" – Extended Service Brakes w/ Dual Anchor Pin Cast Spider (pages 81–87)

For Models: ES-165-7M & ES-165-7H

Gusseted Part No.	"A" Bracket Angle Bracket Type	"B" Barrel Length in (mm)	"C" Slack Length in (mm)	"D" Offset in (mm)
973762	72 CCW	10.25	5.5-6.0	1.75
973763	72 CW	(260.350)	(140-152)	(44.450)
816530	78 CCW	10.25	5.5-6.0	1.75
816531	78 CW	(260.350)	(140-152)	(44.450)
817764	95 CCW	10.25	5.5-6.0	1.75
817765	95 CW	(260.350)	(140-152)	(44.450)
817766	105 CCW	10.25	5.5-6.0	1.75
817767	105 CW	(260.350)	(140-152)	(44.450)
809652	315 CCW	10.25	5.5-6.0	1.75
809653	315 CW	(260.350)	(140-152)	(44.450)
811650	45 CCW	10.56	5.5-6.0	1.75
811651	45 CW	(268.300)	(140-152)	(44.450)
811648	69 CCW	10.56	5.5-6.0	1.75
811649	69 CW	(268.300)	(140-152)	(44.450)
819436	0 CCW	10.75	5.5-6.0	1.75
819437	0 CW	(273.050)	(140-152)	(44.450)
819892	50 CCW	10.75	5.5-6.0	1.75
819893	50 CW	(273.050)	(140-152)	(44.450)
814784	69 CCW	10.75	5.5-6.0	1.75
814785	69 CW	(273.050)	(140-152)	(44.450)
819434	75 CCW	10.75	5.5-6.0	1.75
819435	75 CW	(273.050)	(140-152)	(44.450)
974134	80 CCW	10.75	5.5-6.0	1.75
974135	80 CW	(273.050)	(140-152)	(44.450)
816232	90 CCW	10.75	5.5-6.0	1.75
816233	90 CW	(273.050)	(140-152)	(44.450)
974032	113 CCW	10.75	5.5-6.0	1.75
974033	113 CW	(273.050)	(140-152)	(44.450)
973918	53 CCW	11.22	5.5-6.0	1.75
973919	53 CW	(284.960)	(140-152)	(44.450)
815650	56 CCW	11.22	5.5-6.0	1.75
815651	56 CW	(284.960)	(140-152)	(44.450)
817256	60 CCW	11.22	5.5-6.0	1.75
817257	60 CW	(284.960)	(140-152)	(44.450)
974282	65 CCW	11.22	5.5-6.0	1.75
974283	65 CW	(284.960)	(140-152)	(44.450)
811950	69 CCW	11.22	5.5-6.0	1.75
811951	69 CW	(284.960)	(140-152)	(44.450)
810118	72 CCW	11.22	5.5-6.0	1.75
810119	72 CW	(284.960)	(140-152)	(44.450)
975748	74 CCW	11.22	5.5-6.0	1.75
975749	74 CW	(284.960)	(140-152)	(44.450)
811986	75 CCW	11.22	5.5-6.0	1.75
811987	75 CW	(284.960)	(140-152)	(44.450)

Air Chamber Mounting Brackets 16.5" x 7" – Extended Service Brakes w/ Dual Anchor Pin Cast Spider (pages 81–87)

For Models: ES-165-7M & ES-165-7H

Gusseted Part No.	"A" Bracket Angle Bracket Type	"B" Barrel Length in (mm)	"C" Slack Length in (mm)	"D" Offset in (mm)
819442	78 CCW	11.22	5.5-6.0	1.75
819443	78 CW	(284.960)	(140-152)	(44.450)
811132	80 CCW	11.22	5.5-6.0	1.75
811133	80 CW	(284.960)	(140-152)	(44.450)
975298	64 CCW	11.50	5.5-6.0	1.75
975299	64 CW	(292.100)	(140-152)	(44.450)
974378	50 CCW	11.63	5.5-6.0	1.75
974379	50 CW	(295.280)	(140-152)	(44.450)
973778	53 CCW	11.63	5.5-6.0	1.75
973779	53 CW	(295.280)	(140-152)	(44.450)
815094	60 CCW	11.63	5.5-6.0	1.75
815095	60 CW	(295.280)	(140-152)	(44.450)
816690	69 CCW	11.63	5.5-6.0	1.75
816691	69 CW	(295.280)	(140-152)	(44.450)
813978	72 CCW	11.63	5.5-6.0	1.75
813979	72 CW	(295.280)	(140-152)	(44.450)
818698	90 CCW	11.63	5.5-6.0	1.75
818699	90 CW	(295.280)	(140-152)	(44.450)
818006	30 CCW	12.06	5.5-6.0	1.75
818007	30 CW	(306.400)	(140-152)	(44.450)
975504	40 CCW	12.06	5.5-6.0	1.75
975505	40 CW	(306.400)	(140-152)	(44.450)
973806	45 CCW	12.06	5.5-6.0	1.75
973807	45 CW	(306.400)	(140-152)	(44.450)
817026	55 CCW	12.06	5.5-6.0	1.75
817027	55 CW	(306.400)	(140-152)	(44.450)
953596	57 CCW	12.06	5.5-6.0	1.75
953597	57 CW	(306.400)	(140-152)	(44.450)
809846	60 CCW	12.06	5.5-6.0	1.75
809847	60 CW	(306.400)	(140-152)	(44.450)
818008	65 CCW	12.06	5.5-6.0	1.75
818009	65 CW	(306.400)	(140-152)	(44.450)
973804	69 CCW	12.06	5.5-6.0	1.75
973805	69 CW	(306.400)	(140-152)	(44.450)
809844	72 CCW	12.06	5.5-6.0	1.75
809845	72 CW	(306.400)	(140-152)	(44.450)
819964	90 CCW	12.06	5.5-6.0	1.75
819965	90 CW	(306.400)	(140-152)	(44.450)
975548	96 CCW	12.06	5.5-6.0	1.75
975549	96 CW	(306.400)	(140-152)	(44.450)
819966	102 CCW	12.06	5.5-6.0	1.75
819967	102 CW	(306.400)	(140-152)	(44.450)
974776	108 CCW	12.06	5.5-6.0	1.75
974777	108 CW	(306.400)	(140-152)	(44.450)

Air Chamber Mounting Brackets 16.5" x 7" – Extended Service Brakes w/ Dual Anchor Pin Cast Spider (pages 81–87)

For Models: ES-165-7M & ES-165-7H

Gusseted Part No.	"A" Bracket Angle Bracket Type	"B" Barrel Length in (mm)	"C" Slack Length in (mm)	"D" Offset in (mm)
814214	53 CCW	12.37	5.5-6.0	1.75
814215	53 CW	(314.200)	(140-152)	(44.450)
814216	69 CCW	12.37	5.5-6.0	1.75
814217	69 CW	(314.200)	(140-152)	(44.450)
975746	102 CCW	12.37	5.5-6.0	1.75
975747	102 CW	(314.200)	(140-152)	(44.450)
953662	42 CCW	12.56	5.5-6.0	1.75
953663	42 CW	(319.100)	(140-152)	(44.450)
819038	55 CCW	12.56	5.5-6.0	1.75
819039	55 CW	(319.100)	(140-152)	(44.450)
816712	63 CCW	12.56	5.5-6.0	1.75
816713	63 CW	(319.100)	(140-152)	(44.450)
813892	65 CCW	12.56	5.5-6.0	1.75
813893	65 CW	(319.100)	(140-152)	(44.450)
812234	71 CCW	12.56	5.5-6.0	1.75
812235	71 CW	(319.100)	(140-152)	(44.450)
817064	90 CCW	12.56	5.5-6.0	1.75
817065	90 CW	(319.100)	(140-152)	(44.450)
817066	100 CCW	12.56	5.5-6.0	1.75
817067	100 CW	(319.100)	(140-152)	(44.450)
817368	55 CCW	12.81	5.5-6.0	1.75
817369	55 CW	(325.450)	(140-152)	(44.450)
953678	57 CCW	12.81	5.5-6.0	1.75
953679	57 CW	(325.450)	(140-152)	(44.450)
818780	60 CCW	12.81	5.5-6.0	1.75
818781	60 CW	(325.450)	(140-152)	(44.450)
810004	65 CCW	12.81	5.5-6.0	1.75
810005	65 CW	(325.450)	(140-152)	(44.450)
813666	90 CCW	12.81	5.5-6.0	1.75
813667	90 CW	(325.450)	(140-152)	(44.450)
974620	315 CCW	12.81	5.5-6.0	1.75
974621	315 CW	(325.450)	(140-152)	(44.450)
973522	70 CCW	13.00	5.5-6.0	1.75
973523	70 CW	(330.200)	(140-152)	(44.450)
974044	78 CCW	13.28	5.5-6.0	1.75
974045	78 CW	(337.340)	(140-152)	(44.450)
816598	69 CCW	13.50	5.5-6.0	1.75
816599	69 CW	(342.900)	(140-152)	(44.450)
813742	90 CCW	13.50	5.5-6.0	1.75
813743	90 CW	(342.900)	(140-152)	(44.450)
819984	102 CCW	13.50	5.5-6.0	1.75
819985	102 CW	(342.900)	(140-152)	(44.450)
813394	69 CCW	13.75	5.5-6.0	1.75
813395	69 CW	(349.250)	(140-152)	(44.450)

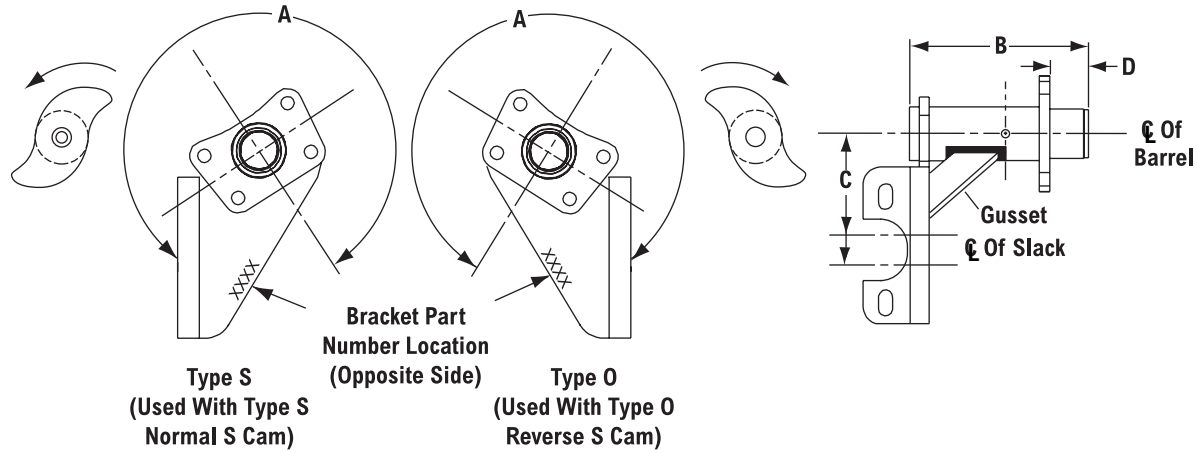
Air Chamber Mounting Brackets 16.5" x 7" – Extended Service Brakes w/ Dual Anchor Pin Cast Spider (pages 81–87)

For Models: ES-165-7M & ES-165-7H

Gusseted Part No.	"A" Bracket Angle Bracket Type	"B" Barrel Length in (mm)	"C" Slack Length in (mm)	"D" Offset in (mm)
811946	72 CCW	13.75	5.5-6.0	1.75
811947	72 CW	(349.250)	(140-152)	(44.450)
818436	60 CCW	14.35	5.5-6.0	1.75
818437	60 CW	(364.360)	(140-152)	(44.450)
974554	72 CCW	14.35	5.5-6.0	1.75
974555	72 CW	(364.360)	(140-152)	(44.450)
975196	60 CCW	14.69	5.5-6.0	1.75
975197	60 CW	(373.130)	(140-152)	(44.450)
975320	65 CCW	14.69	5.5-6.0	1.75
975321	65 CW	(373.130)	(140-152)	(44.450)
818048	65 CCW	16.25	5.5-6.0	1.75
818049	65 CW	(412.750)	(140-152)	(44.450)
812504	70 CCW	18.81	5.5-6.0	1.75
812505	70 CW	(477.850)	(140-152)	(44.450)

Air Chamber Mounting Brackets 18" x 7" – Standard Service Brakes with Cast Spider (pages 88–90)

For Model: EB-180-7R (Standard Brakes)



Note: Brackets listed by part number.

Gusseted Part No.	"A" Bracket Angle Bracket Type	"B" Barrel Length in (mm)	"C" Slack Length in (mm)	"D" Offset in (mm)
811962	56 CCW	8.97	5.5-6.0	1.75
811963	56 CW	(227.810)	(140-152)	(44.450)
811964	69 CCW	8.97	5.5-6.0	1.75
811965	69 CW	(227.810)	(140-152)	(44.450)
974796	45 CCW	9.31	5.5-6.0	1.75
974797	45 CW	(236.550)	(140-152)	(44.450)
815882	50 CCW	9.31	5.5-6.0	1.75
815883	50 CW	(236.550)	(140-152)	(44.450)
815952	59 CCW	9.31	5.5-6.0	1.75
815953	59 CW	(236.550)	(140-152)	(44.450)
810062	69 CCW	9.31	5.5-6.0	1.75
810063	69 CW	(236.550)	(140-152)	(44.450)
810124	75 CCW	9.31	5.5-6.0	1.75
810125	75 CW	(236.550)	(140-152)	(44.450)
810524	80 CCW	9.31	5.5-6.0	1.75
810525	80 CW	(236.550)	(140-152)	(44.450)
811550	90 CCW	9.31	5.5-6.0	1.75
811551	90 CW	(236.550)	(140-152)	(44.450)
810064	100 CCW	9.31	5.5-6.0	1.75
810065	100 CW	(236.550)	(140-152)	(44.450)
974798	108 CCW	9.31	5.5-6.0	1.75
974799	108 CW	(236.550)	(140-152)	(44.450)
817270	72 CCW	9.67	5.5-6.0	1.75
817271	72 CW	(245.670)	(140-152)	(44.450)
974800	88 CCW	9.67	5.5-6.0	1.75
974801	88 CW	(245.670)	(140-152)	(44.450)

Air Chamber Mounting Brackets 18" x 7" – Standard Service Brakes with Cast Spider (pages 88–90)

For Model: EB-180-7R (Standard Brakes)

Gusseted Part No.	"A" Bracket Angle Bracket Type	"B" Barrel Length in (mm)	"C" Slack Length in (mm)	"D" Offset in (mm)
974802	108 CCW	9.67	5.5-6.0	1.75
974803	108 CW	(245.670)	(140-152)	(44.450)
975510	52 CCW	10.00	5.5-6.0	1.75
975511	52 CW	(254.000)	(140-152)	(44.450)
810592	69 CCW	10.25	5.5-6.0	1.75
810593	69 CW	(260.350)	(140-152)	(44.450)
810146	72 CCW	10.25	5.5-6.0	1.75
810147	72 CW	(260.350)	(140-152)	(44.450)
974486	75 CCW	10.25	5.5-6.0	1.75
974487	75 CW	(260.350)	(140-152)	(44.450)
817430	80 CCW	10.25	5.5-6.0	1.75
817431	80 CW	(260.350)	(140-152)	(44.450)
974548	95 CCW	10.25	5.5-6.0	1.75
974549	95 CW	(260.350)	(140-152)	(44.450)
810594	100 CCW	10.25	5.5-6.0	1.75
810595	100 CW	(260.350)	(140-152)	(44.450)
810634	69 CCW	10.56	5.5-6.0	1.75
810635	69 CW	(268.300)	(140-152)	(44.450)
810636	108 CCW	10.56	5.5-6.0	1.75
810637	108 CW	(268.300)	(140-152)	(44.450)
975742	69 CCW	10.75	5.5-6.0	1.75
975743	69 CW	(273.050)	(140-152)	(44.450)
975740	100 CCW	10.75	5.5-6.0	1.75
975741	100 CW	(273.050)	(140-152)	(44.450)
818580	53 CCW	11.22	5.5-6.0	1.75
818581	53 CW	(284.960)	(140-152)	(44.450)
810042	69 CCW	11.22	5.5-6.0	1.75
810043	69 CW	(284.960)	(140-152)	(44.450)
811988	72 CCW	11.22	5.5-6.0	1.75
811989	72 CW	(284.960)	(140-152)	(44.450)
974484	75 CCW	11.22	5.5-6.0	1.75
974485	75 CW	(284.960)	(140-152)	(44.450)
817514	80 CCW	11.22	5.5-6.0	1.75
817515	80 CW	(284.960)	(140-152)	(44.450)
810048	90 CCW	11.22	5.5-6.0	1.75
810049	90 CW	(284.960)	(140-152)	(44.450)
810112	100 CCW	11.22	5.5-6.0	1.75
810113	100 CW	(284.960)	(140-152)	(44.450)
816174	90 CCW	12.06	5.5-6.0	1.75
816175	90 CW	(306.400)	(140-152)	(44.450)



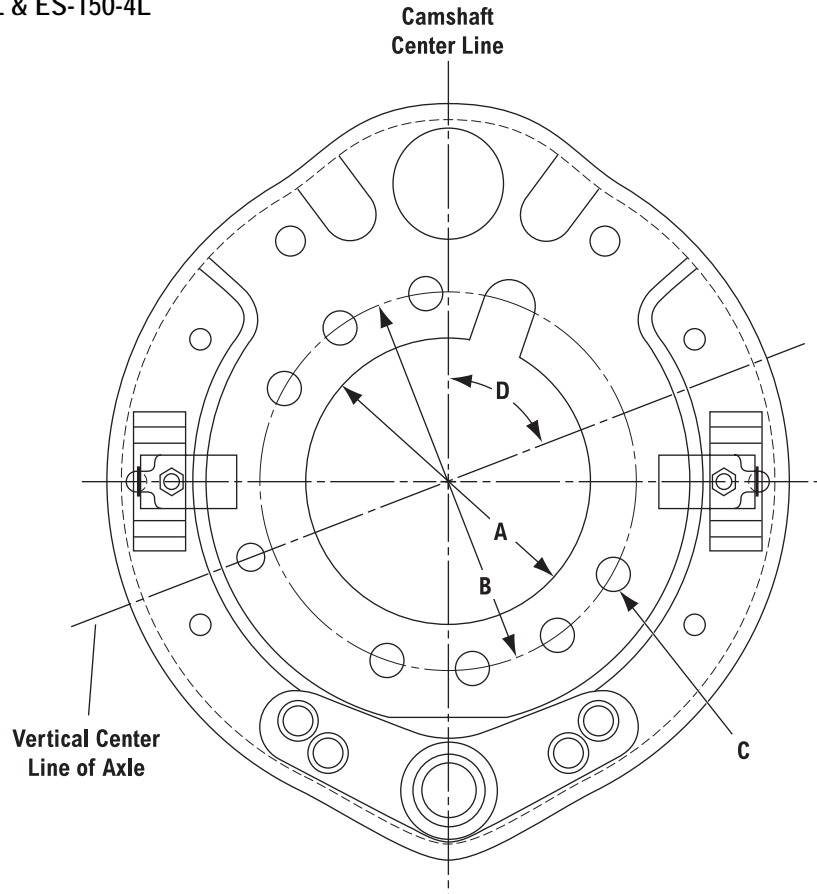
Air Chamber Mounting Brackets 18" x 7" – Standard Service Brakes with Cast Spider (pages 88–90)

For Model: EB-180-7R (Standard Brakes)

Gusseted Part No.	"A" Bracket Angle Bracket Type	"B" Barrel Length in (mm)	"C" Slack Length in (mm)	"D" Offset in (mm)
974494	65 CCW	13.50	5.5-6.0	1.75
974495	65 CW	(342.900)	(140-152)	(44.450)
974522	75 CCW	13.50	5.5-6.0	1.75
974523	75 CW	(342.900)	(140-152)	(44.450)
813570	69 CCW	13.69	5.5-6.0	1.75
813571	69 CW	(347.680)	(140-152)	(44.450)
974060	72 CCW	13.69	5.5-6.0	1.75
974061	72 CW	(347.680)	(140-152)	(44.450)
817534	69 CCW	14.48	5.5-6.0	1.75
817535	69 CW	(367.790)	(140-152)	(44.450)
818696	75 CCW	14.48	5.5-6.0	1.75
818697	75 CW	(367.790)	(140-152)	(44.450)
817536	95 CCW	14.48	5.5-6.0	1.75
817537	95 CW	(367.790)	(140-152)	(44.450)

Stamped Spider and Pin Assembly 15" x 4" (pages 91–93)

For Models: EB-150-4L & ES-150-4L



Part No. Stamped on Piece	Part No.	"A" Pilot Diameter in (mm)	"B" Bolt Circle in (mm)	"C" No. of Holes & Pattern	"C" Mtg. Hole Diameter in (mm)	"D" Mtg. Index Angle	Brake Offset in (mm)	Remarks
12	816012	5.503 (139.776)	7.250 (184.150)	7 Steer	0.659 (16.739)	53°	1.500 (38.100)	
13	816013	5.503 (139.776)	7.250 (184.150)	7 Steer	0.659 (16.739)	307°	1.500 (38.100)	
44	813044	5.503 (139.776)	6.437 (163.499)	8 Steer	0.659 (16.739)	291°	1.500 (38.100)	
45	813045	5.503 (139.776)	6.437 (163.499)	8 Steer	0.659 (16.739)	69°	1.500 (38.100)	
080	974080	5.003 (127.076)	6.440 (163.576)	8 Steer	0.659 (16.739)	62°	1.500 (38.100)	
081	974081	5.003 (127.076)	6.440 (163.576)	8 Steer	0.659 (16.739)	298°	1.500 (38.100)	
084	817084	5.503 (139.776)	7.250 (184.150)	7 Steer	0.659 (16.739)	60°	1.500 (38.100)	
084	974084	5.003 (127.076)	6.440 (163.576)	7 Steer	0.659 (16.739)	62°	1.500 (38.100)	
085	817085	5.503 (139.776)	7.250 (184.150)	7 Steer	0.659 (16.739)	300°	1.500 (38.100)	
085	974085	5.003 (127.076)	6.440 (163.576)	7 Steer	0.659 (16.739)	298°	1.500 (38.100)	
088	974088	5.003 (127.076)	7.250 (184.150)	8 Steer	0.659 (16.739)	62°	1.500 (38.100)	
089	974089	5.003 (127.076)	7.250 (184.150)	8 Steer	0.659 (16.739)	298°	1.500 (38.100)	
128	975128	5.503 (139.776)	7.250 (184.150)	7 Steer	0.659 (16.739)	49°	1.500 (38.100)	
129	975129	5.503 (139.776)	7.250 (184.150)	7 Steer	0.659 (16.739)	311°	1.500 (38.100)	
130	816130	5.503 (139.776)	7.250 (184.150)	8 Steer	0.659 (16.739)	302°	1.500 (38.100)	
131	816131	5.503 (139.776)	7.250 (184.150)	8 Steer	0.659 (16.739)	58°	1.500 (38.100)	
162	819162	5.003 (127.076)	6.000 (152.400)	8 Steer	0.534 (13.564)	54°	1.500 (38.100)	

Stamped Spider and Pin Assembly 15" x 4" (pages 91–93)

For Models: EB-150-4L & ES-150-4L

Part No. Stamped on Piece	Part No.	"A" Pilot Diameter in (mm)	"B" Bolt Circle in (mm)	"C" No. of Holes & Pattern	"C" Mtg. Hole Diameter in (mm)	"D" Mtg. Index Angle	Brake Offset in (mm)	Remarks
163	819163	5.003 (127.076)	6.000 (152.400)	8 Steer	0.534 (13.564)	306	1.500 (38.100)	
184	1008184	6.003 (152.476)	7.375 (187.325)	6 Steer	0.659 (16.739)	62°	1.990 (50.546)	
185	1008185	6.003 (152.476)	7.375 (187.325)	6 Steer	0.659 (16.739)	298°	1.990 (50.546)	
186	811186	5.503 (139.776)	7.250 (184.150)	8 Steer	0.659 (16.739)	65°	1.500 (38.100)	
187	811187	5.503 (139.776)	7.250 (184.150)	8 Steer	0.659 (16.739)	295°	1.500 (38.100)	
192	974192	5.503 (139.776)	7.250 (184.150)	7 Steer	0.659 (16.739)	62°	1.500 (38.100)	
193	974193	5.503 (139.776)	7.250 (184.150)	7 Steer	0.659 (16.739)	298°	1.500 (38.100)	
228	1008228	5.503 (139.776)	7.250 (184.150)	8 Steer	0.659 (16.739)	65°	1.500 (38.100)	
229	1008229	5.503 (139.776)	7.250 (184.150)	8 Steer	0.659 (16.739)	295°	1.500 (38.100)	
236	818236	6.003 (152.476)	7.375 (187.325)	6 Steer	0.659 (16.739)	326°	1.990 (50.546)	
237	818237	6.003 (152.476)	7.375 (187.325)	6 Steer	0.659 (16.739)	34°	1.990 (50.546)	
242	1008242	5.503 (139.776)	7.250 (184.150)	8 Steer	0.659 (16.739)	291°	1.500 (38.100)	
243	1008243	5.503 (139.776)	7.250 (184.150)	8 Steer	0.659 (16.739)	69°	1.500 (38.100)	
310	811310	5.503 (139.776)	6.437 (163.499)	8 Steer	0.659 (16.739)	275°	1.500 (38.100)	
311	811311	5.503 (139.776)	6.437 (163.499)	8 Steer	0.659 (16.739)	85°	1.500 (38.100)	
354	811354	5.503 (139.776)	7.250 (184.150)	8 Steer	0.659 (16.739)	69°	1.500 (38.100)	
355	811355	5.503 (139.776)	7.250 (184.150)	8 Steer	0.659 (16.739)	291°	1.500 (38.100)	
418	1006418	5.503 (139.776)	7.250 (184.150)	8 Steer	0.659 (16.739)	86.5°	1.500 (38.100)	
436	974436	5.503 (139.776)	7.250 (184.150)	7 Steer	0.659 (16.739)	45°	1.500 (38.100)	
437	974437	5.503 (139.776)	7.250 (184.150)	7 Steer	0.659 (16.739)	315°	1.500 (38.100)	
456	812456	5.503 (139.776)	7.250 (184.150)	8 Steer	0.659 (16.739)	300°	1.500 (38.100)	
457	812457	5.503 (139.776)	7.250 (184.150)	8 Steer	0.659 (16.739)	60°	1.500 (38.100)	
474	815474	6.003 (152.476)	7.250 (184.150)	7 Steer	0.659 (16.739)	62°	1.500 (38.100)	FOR INTERNATIONAL TRUCK AND ENGINE SERVICE ONLY
475	815475	6.003 (152.476)	7.250 (184.150)	7 Steer	0.659 (16.739)	298°	1.500 (38.100)	FOR INTERNATIONAL TRUCK AND ENGINE SERVICE ONLY
480	810480	5.503 (139.776)	7.250 (184.150)	7 Steer	0.659 (16.739)	300°	1.500 (38.100)	
481	810481	5.503 (139.776)	7.250 (184.150)	7 Steer	0.659 (16.739)	60°	1.500 (38.100)	
510	974510	5.503 (139.776)	7.250 (184.150)	7 Steer	0.659 (16.739)	315°	1.500 (38.100)	
511	974511	5.503 (139.776)	7.250 (184.150)	7 Steer	0.659 (16.739)	45°	1.500 (38.100)	
560	974560	5.503 (139.776)	7.250 (184.150)	7 Steer	0.659 (16.739)	302°	1.500 (38.100)	
561	974561	5.503 (139.776)	7.250 (184.150)	7 Steer	0.659 (16.739)	58°	1.500 (38.100)	
566	974566	5.503 (139.776)	7.250 (184.150)	7 Steer	0.659 (16.739)	58°	1.500 (38.100)	
567	974567	5.503 (139.776)	7.250 (184.150)	7 Steer	0.659 (16.739)	302°	1.500 (38.100)	
568	974568	5.503 (139.776)	7.250 (184.150)	8 Steer	0.659 (16.739)	58°	1.500 (38.100)	
569	974569	5.503 (139.776)	7.250 (184.150)	8 Steer	0.659 (16.739)	302°	1.500 (38.100)	
578	810578	5.629 (142.977)	7.437 (188.899)	4 Square	0.784 (19.914)	90°	1.990 (50.546)	
579	810579	5.629 (142.977)	7.437 (188.899)	4 Square	0.784 (19.914)	270°	1.990 (50.546)	
590	811590	5.503 (139.776)	7.250 (184.150)	7 Steer	0.659 (16.739)	68°	1.500 (38.100)	
591	811591	5.503 (139.776)	7.250 (184.150)	7 Steer	0.659 (16.739)	292°	1.500 (38.100)	

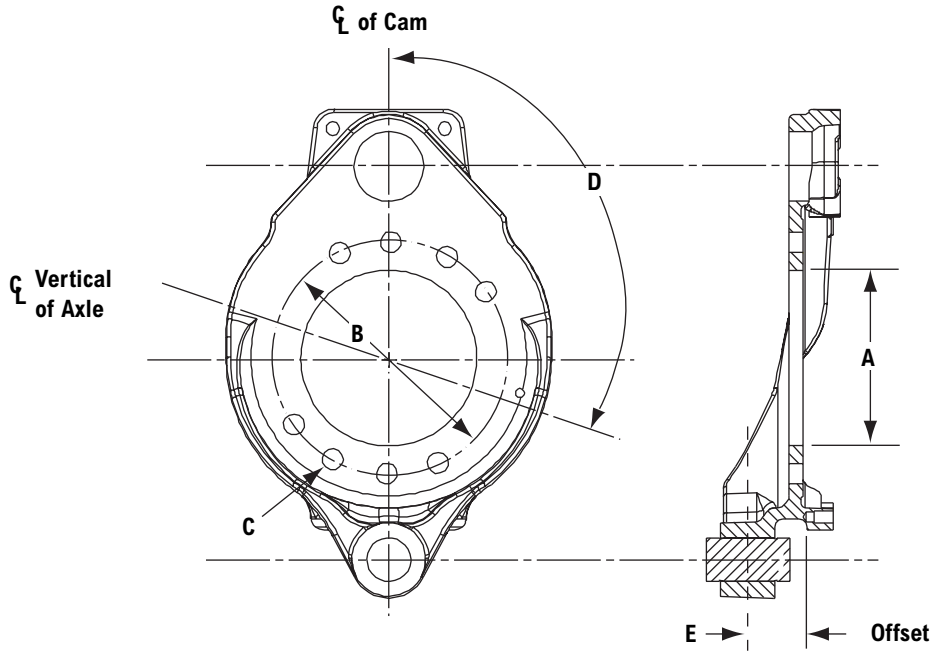
Stamped Spider and Pin Assembly 15" x 4" (pages 91–93)

For Models: EB-150-4L & ES-150-4L

Part No. Stamped on Piece	Part No.	"A" Pilot Diameter in (mm)	"B" Bolt Circle in (mm)	"C" No. of Holes & Pattern	"C" Mtg. Hole Diameter in (mm)	"D" Mtg. Index Angle	Brake Offset in (mm)	Remarks
616	811616	5.503 (139.776)	7.250 (184.150)	8 Steer	0.659 (16.739)	54°	1.500 (38.100)	
617	811617	5.503 (139.776)	7.250 (184.150)	8 Steer	0.659 (16.739)	306°	1.500 (38.100)	
640	811640	6.003 (152.476)	7.375 (187.325)	7 Steer	0.659 (16.739)	62°	1.990 (50.546)	
641	811641	6.003 (152.476)	7.375 (187.325)	7 Steer	0.659 (16.739)	298°	1.990 (50.546)	
726	974726	5.503 (139.776)	7.250 (184.150)	7 Steer	0.659 (16.739)	307°	1.500 (38.100)	
727	974727	5.503 (139.776)	7.250 (184.150)	7 Steer	0.659 (16.739)	53°	1.500 (38.100)	
728	813728	6.003 (152.476)	7.250 (184.150)	8 Steer	0.659 (16.739)	60°	1.500 (38.100)	
729	813729	6.003 (152.476)	7.250 (184.150)	8 Steer	0.659 (16.739)	300°	1.500 (38.100)	
734	973734	5.503 (139.776)	7.250 (184.150)	7 Steer	0.659 (16.739)	53°	1.500 (38.100)	
735	973735	5.503 (139.776)	7.250 (184.150)	7 Steer	0.659 (16.739)	307°	1.500 (38.100)	
806	819806	5.503 (139.776)	7.250 (184.150)	7 Steer	0.659 (16.739)	292°	1.500 (38.100)	
807	819807	5.503 (139.776)	7.250 (184.150)	7 Steer	0.659 (16.739)	68°	1.500 (38.100)	
826	815826	5.503 (139.776)	7.250 (184.150)	8 Steer	0.659 (16.739)	69°	1.500 (38.100)	
827	815827	5.503 (139.776)	7.250 (184.150)	8 Steer	0.659 (16.739)	291°	1.500 (38.100)	
856	817856	5.003 (127.076)	6.440 (163.576)	7 Steer	0.659 (16.739)	69°	1.500 (38.100)	
857	817857	5.003 (127.076)	6.440 (163.576)	7 Steer	0.659 (16.739)	291°	1.500 (38.100)	
930	1006930	6.003 (152.476)	7.375 (187.325)	6 Steer	0.659 (16.739)	34.5°	1.990 (50.546)	
931	1006931	6.003 (152.476)	7.375 (187.325)	6 Steer	0.659 (16.739)	325.5°	1.990 (50.546)	
954	1006954	6.003 (152.476)	7.375 (187.325)	6 Steer	0.659 (16.739)	326°	1.990 (50.546)	
955	1006955	6.003 (152.476)	7.375 (187.325)	6 Steer	0.659 (16.739)	34°	1.990 (50.546)	
982	1008982	5.003 (127.076)	6.440 (163.576)	8 Steer	0.659 (16.739)	80°	1.500 (38.100)	
983	1008983	5.003 (127.076)	6.440 (163.576)	8 Steer	0.659 (16.739)	280°	1.500 (38.100)	
990	809990	6.003 (152.476)	7.250 (184.150)	8 Steer	0.659 (16.739)	58°	1.500 (38.100)	
991	809991	6.003 (152.476)	7.250 (184.150)	8 Steer	0.659 (16.739)	302°	1.500 (38.100)	
996	809966	5.503 (139.776)	7.250 (184.150)	8 Steer	0.659 (16.739)	62°	1.500 (38.100)	
997	809967	5.503 (139.776)	7.250 (184.150)	8 Steer	0.659 (16.739)	298°	1.500 (38.100)	

Cast Spider and Pin Assembly 15" x 6"

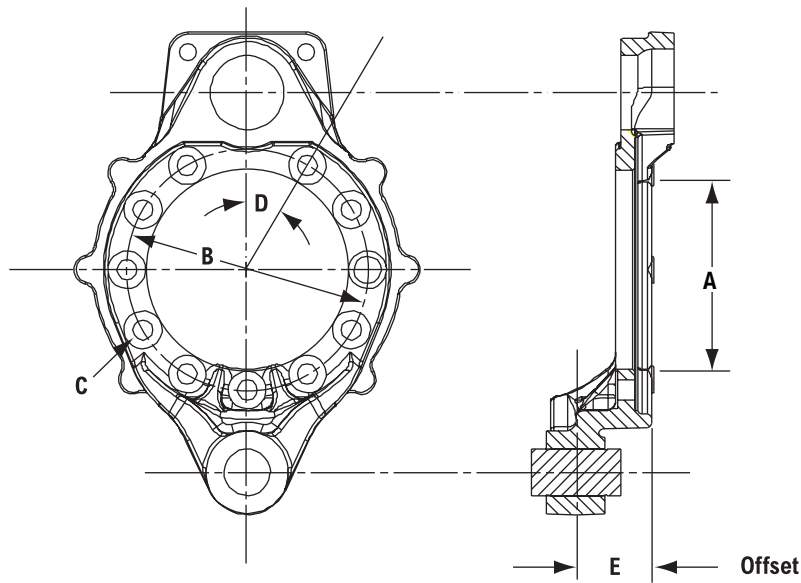
For Model: ES-150-6D



Standard Part No.	Vehicle Position	"A" Pilot Dia. in (mm)	"B" Bolt Circle in (mm)	"C" Number of Holes	"C" Hole Size in (mm)	"D" Centerline of Cam to Vert. Centerline	"E" Brake Offset in (mm)	Remarks
816072	LH	5.504 (139.802)	7.250 (184.150)	8	.653 (16.586)	297°	1.750 (44.450)	
816073	RH			8		63°		
816806	LH	5.504 (139.802)	7.250 (184.150)	8	.653 (16.586)	63°	1.750 (44.450)	
816807	RH			8		297°		
819950	LH	5.504 (139.802)	7.250 (184.150)	8	.653 (16.685)	297°	1.750 (44.450)	Has 2 ABS Slots
819951	RH			8		63°		Has 2 ABS Slots

Cast Spider and Pin Assembly 15" x 8"

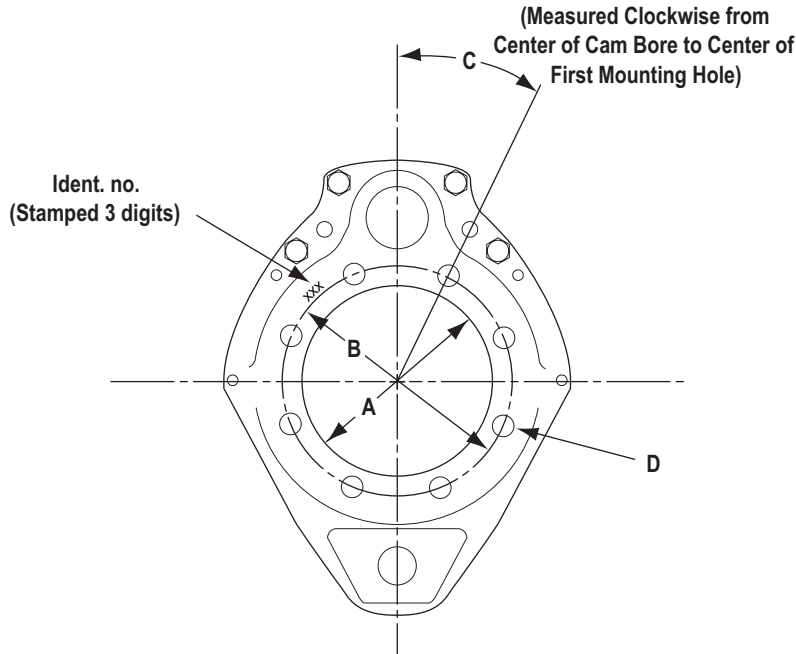
For Model: ES-150-8D



Part No.	Vehicle Position	"A" Pilot Dia. in (mm)	"B" Bolt Circle in (mm)	"C" Number of Holes	"C" Hole Size in (mm)	"D" Mtg. Index Angle	"E" Brake Offset in (mm)	Remarks
814502		5.897 (149.784)	7.125 (180.975)	11	.598 (15.189)	30°	1.750 (44.450)	Symmetrical
818422	LH	5.897 (149.784)	7.125 (180.975)	10 + 1	.598 (15.189)	30°	1.750 (44.450)	(1).81" ABS hole 90° from Cam
818423	RH			10 + 1		330°		(1).81" ABS hole 270° from Cam
818986	LH	5.897 (149.784)	7.125 (180.975)	10 + 1 slot	.598 (15.189)	30°	1.750 (44.450)	(1).81" ABS hole 105° from Cam
818987	RH			10 + 1 slot		330°		(1).81" ABS hole 255° from Cam

Stamped Spider and Pin Assembly 16.5" (pages 96–100)

For Models: EB-165 & ES-165



Part No. on Piece	Spider & Pin Assembly	"A" Pilot Diameter	"B" Bolt Circle	No. of Holes & Pattern	"C" Mtg. Index Angle	"D" Mtg. Hole Diameter
005	804005	6.755 (171.577)	8.125 (206.375)	10 Equally Spc	18°	0.659 (16.739)
429	804429	6.755 (171.577)	8.250 (209.550)	16 Equally Spc	0°	0.659 (16.739)
506	804506	6.755 (171.577)	8.250 (209.550)	16 Equally Spc	0°	0.659 (16.739)
514	804514	6.755 (171.577)	8.125 (206.375)	10 Equally Spc	34°	0.659 (16.739)
515	804515	6.755 (171.577)	8.125 (206.375)	10 Equally Spc	2°	0.659 (16.739)
578	804578	6.755 (171.577)	8.250 (209.550)	11 On 16	22.5°	0.659 (16.739)
579	804579	6.755 (171.577)	8.250 (209.550)	11 On 16	22.5°	0.659 (16.739)
580	804580	6.755 (171.577)	8.250 (209.550)	11 On 16	13.5°	0.659 (16.739)
581	804581	6.755 (171.577)	8.250 (209.550)	11 On 16	31.5°	0.659 (16.739)
582	804582	6.755 (171.577)	8.250 (209.550)	11 On 16	29.5°	0.659 (16.739)
583	804583	6.755 (171.577)	8.250 (209.550)	11 On 16	15.5°	0.659 (16.739)
656	804656	6.755 (171.577)	8.125 (206.375)	10 Equally Spc	18°	0.659 (16.739)
657	804657	6.755 (171.577)	8.125 (206.375)	10 Equally Spc	18°	0.659 (16.739)
658	804658	6.755 (171.577)	8.125 (206.375)	10 Equally Spc	24°	0.659 (16.739)
659	804659	6.755 (171.577)	8.125 (206.375)	10 Equally Spc	12°	0.659 (16.739)
864	804864	6.755 (171.577)	8.250 (209.550)	16 Equally Spc	11.5°	0.659 (16.739)
188	805188	5.879 (149.326)	7.125 (180.975)	11 On 12	25°	0.597 (15.164)
189	805189	5.879 (149.326)	7.125 (180.975)	11 On 12	35°	0.597 (15.164)
342	805342	6.755 (171.577)	8.125 (206.375)	10 Equally Spc	26°	0.659 (16.739)
343	805343	6.755 (171.577)	8.125 (206.375)	10 Equally Spc	10°	0.659 (16.739)
366	805366	5.879 (149.326)	7.125 (180.975)	11 On 12	30°	0.597 (15.164)
584	805584	5.879 (149.326)	7.125 (180.975)	11 On 12	43°	0.597 (15.164)
585	805585	5.879 (149.326)	7.125 (180.975)	11 On 12	17°	0.597 (15.164)

Stamped Spider and Pin Assembly 16.5" (pages 96–100)

For Models: EB-165 & ES-165

Part No. on Piece	Spider & Pin Assembly	"A" Pilot Diameter	"B" Bolt Circle	No. of Holes & Pattern	"C" Mtg. Index Angle	"D" Mtg. Hole Diameter
636	805636	6.755 (171.577)	8.250 (209.550)	16 Equally Spc	0°	0.659 (16.739)
802	805802	5.879 (149.326)	7.125 (180.975)	11 On 12	15°	0.597 (15.164)
803	805803	5.879 (149.326)	7.125 (180.975)	11 On 12	45°	0.597 (15.164)
856	805856	6.755 (171.577)	8.250 (209.550)	11 On 16	13.5°	0.659 (16.739)
857	805857	6.755 (171.577)	8.250 (209.550)	11 On 16	31.5°	0.659 (16.739)
9047	805904	6.755 (171.577)	8.125 (206.375)	10 Equally Spc	0°	0.659 (16.739)
060	806060	6.755 (171.577)	8.125 (206.375)	10 Equally Spc	30°	0.659 (16.739)
061	806061	6.755 (171.577)	8.125 (206.375)	10 Equally Spc	6°	0.659 (16.739)
168	806168	6.755 (171.577)	8.125 (206.375)	10 Equally Spc	0°	0.659 (16.739)
169	806169	6.755 (171.577)	8.125 (206.375)	10 Equally Spc	0°	0.659 (16.739)
178	806178	6.755 (171.577)	8.125 (206.375)	10 Equally Spc	18°	0.659 (16.739)
179	806179	6.755 (171.577)	8.125 (206.375)	10 Equally Spc	18°	0.659 (16.739)
180	806180	6.755 (171.577)	8.125 (206.375)	10 Equally Spc	0°	0.659 (16.739)
181	806181	6.755 (171.577)	8.125 (206.375)	10 Equally Spc	0°	0.659 (16.739)
842	806842	5.879 (149.326)	7.125 (180.975)	11 On 12	10.5°	0.597 (15.164)
843	806843	5.879 (149.326)	7.125 (180.975)	11 On 12	49.5°	0.597 (15.164)
807802	807802	5.755 (146.177)	7.250 (184.150)	8 Steer	70°	0.784 (19.914)
807803	807803	5.755 (146.177)	7.250 (184.150)	8 Steer	290°	0.784 (19.914)
274	808274	6.755 (171.577)	8.125 (206.375)	10 Equally Spc	30°	0.659 (16.739)
275	808275	6.755 (171.577)	8.125 (206.375)	10 Equally Spc	6°	0.659 (16.739)
396	808396	6.755 (171.577)	8.250 (209.550)	16 Equally Spc	18°	0.659 (16.739)
397	808397	6.755 (171.577)	8.250 (209.550)	16 Equally Spc	4.5°	0.659 (16.739)
614	810614	5.879 (149.326)	7.125 (180.975)	11 On 12	23°	0.597 (15.164)
615	810615	5.879 (149.326)	7.125 (180.975)	11 On 12	37°	0.597 (15.164)
798	811798	5.879 (149.326)	7.125 (180.975)	12 Equally Spc	0°	0.597 (15.164)
799	811799	5.879 (149.326)	7.125 (180.975)	12 Equally Spc	15°	0.597 (15.164)
800	811800	5.879 (149.326)	7.125 (180.975)	12 Equally Spc	23°	0.597 (15.164)
801	811801	5.879 (149.326)	7.125 (180.975)	12 Equally Spc	7°	0.597 (15.164)
830	811830	5.879 (149.326)	7.125 (180.975)	12 Equally Spc	25°	0.597 (15.164)
831	811831	5.879 (149.326)	7.125 (180.975)	12 Equally Spc	5°	0.597 (15.164)
622	813622	6.755 (171.577)	8.250 (209.550)	16 Equally Spc	15°	0.659 (16.739)
623	813623	6.755 (171.577)	8.250 (209.550)	16 Equally Spc	7.5°	0.659 (16.739)
813813	813813	5.755 (146.177)	7.250 (184.150)	8 Steer	54°	0.784 (19.914)
813814	813814	5.755 (146.177)	7.250 (184.150)	8 Steer	306°	0.784 (19.914)
813826	813826	5.755 (146.177)	7.250 (184.150)	8 Steer	300°	0.784 (19.914)
813827	813827	5.755 (146.177)	7.250 (184.150)	8 Steer	60°	0.784 (19.914)
444	814444	6.755 (171.577)	8.250 (209.550)	10 On 16	13.5°	0.659 (16.739)
445	814445	6.755 (171.577)	8.250 (209.550)	10 On 16	31.5°	0.659 (16.739)
814628	814628	5.504 (139.802)	7.250 (184.150)	8 Steer	75°	0.659 (16.739)
814629	814629	5.504 (139.802)	7.250 (184.150)	8 Steer	285°	0.659 (16.739)
676	815676	6.755 (171.577)	8.250 (209.550)	16 Equally Spc	0°	0.659 (16.739)

Stamped Spider and Pin Assembly 16.5" (pages 96–100)
For Models: EB-165 & ES-165

Part No. on Piece	Spider & Pin Assembly	"A" Pilot Diameter	"B" Bolt Circle	No. of Holes & Pattern	"C" Mtg. Index Angle	"D" Mtg. Hole Diameter
815728	815728	5.504 (139.802)	7.250 (184.150)	8 Steer	75°	0.659 (16.739)
815729	815729	5.504 (139.802)	7.250 (184.150)	8 Steer	285°	0.659 (16.739)
862	815862	6.755 (171.577)	8.250 (209.550)	10 On 16	22.5°	0.659 (16.739)
863	815863	6.755 (171.577)	8.250 (209.550)	10 On 16	22.5°	0.659 (16.739)
816016	816016	5.504 (139.802)	7.250 (184.150)	7 Steer	53°	0.659 (16.739)
816017	816017	5.504 (139.802)	7.250 (184.150)	7 Steer	307°	0.659 (16.739)
138	816138	6.618 (168.097)	7.598 (192.989)	11 On 12	12°	0.576 (14.630)
139	816139	6.618 (168.097)	7.598 (192.989)	11 On 12	18°	0.576 (14.630)
816144	816144	5.755 (146.177)	7.250 (184.150)	8 Steer	57°	0.784 (19.914)
816145	816145	5.755 (146.177)	7.250 (184.150)	8 Steer	303°	0.784 (19.914)
816154	816154	5.504 (139.802)	7.250 (184.150)	8 Steer	45°	0.659 (16.739)
816155	816155	5.504 (139.802)	7.250 (184.150)	8 Steer	315°	0.659 (16.739)
344	816344	6.755 (171.577)	8.125 (206.375)	10 Equally Spc	13°	0.659 (16.739)
345	816345	6.755 (171.577)	8.125 (206.375)	10 Equally Spc	23°	0.659 (16.739)
898	816898	6.755 (171.577)	8.250 (209.550)	15 On 16	0°	0.659 (16.739)
899	816899	6.755 (171.577)	8.250 (209.550)	15 On 16	0°	0.659 (16.739)
946	816946	6.755 (171.577)	8.250 (209.550)	15 On 16	4.5°	0.659 (16.739)
947	816947	6.755 (171.577)	8.250 (209.550)	15 On 16	18°	0.659 (16.739)
025	817025	6.755 (171.577)	8.125 (206.375)	10 Equally Spc	0°	0.659 (16.739)
817504	817504	5.504 (139.802)	7.250 (184.150)	8 Steer	69°	0.659 (16.739)
817505	817505	5.504 (139.802)	7.250 (184.150)	8 Steer	291°	0.659 (16.739)
858	817858	6.755 (171.577)	8.125 (206.375)	9 On 10	18°	0.659 (16.739)
859	817859	6.755 (171.577)	8.125 (206.375)	9 On 10	18°	0.659 (16.739)
022	818022	6.755 (171.577)	8.250 (209.550)	15 On 16	8.5°	0.659 (16.739)
023	818023	6.755 (171.577)	8.250 (209.550)	15 On 16	14°	0.659 (16.739)
392	818392	6.755 (171.577)	8.250 (209.550)	10 On 16	32.5°	0.659 (16.739)
393	818393	6.755 (171.577)	8.250 (209.550)	10 On 16	12.5°	0.659 (16.739)
394	818394	6.755 (171.577)	8.250 (209.550)	10 On 16	6.5°	0.659 (16.739)
395	818395	6.755 (171.577)	8.250 (209.550)	10 On 16	38.5°	0.659 (16.739)
818586	818586	5.504 (139.802)	7.250 (184.150)	8 Steer	36°	0.659 (16.739)
818587	818587	5.504 (139.802)	7.250 (184.150)	8 Steer	324°	0.659 (16.739)
610	818610	6.003 (152.476)	7.375 (187.325)	6 Steer	62°	0.659 (16.739)
611	818611	6.003 (152.476)	7.375 (187.325)	6 Steer	118°	0.659 (16.739)
612	818612	6.003 (152.476)	7.375 (187.325)	6 Steer	62°	0.659 (16.739)
613	818613	6.003 (152.476)	7.375 (187.325)	6 Steer	118°	0.659 (16.739)
618	818618	6.755 (171.577)	8.250 (209.550)	15 On 16	11.5°	0.659 (16.739)
619	818619	6.755 (171.577)	8.250 (209.550)	15 On 16	11°	0.659 (16.739)
818670	818670	5.504 (139.802)	7.250 (184.150)	7 Steer	45°	0.659 (16.739)
818671	818671	5.504 (139.802)	7.250 (184.150)	7 Steer	315°	0.659 (16.739)
818864	818864	5.504 (139.802)	7.250 (184.150)	8 Steer	57°	0.659 (16.739)
818865	818865	5.504 (139.802)	7.250 (184.150)	8 Steer	303°	0.659 (16.739)

Stamped Spider and Pin Assembly 16.5" (pages 96–100)

For Models: EB-165 & ES-165

Part No. on Piece	Spider & Pin Assembly	"A" Pilot Diameter	"B" Bolt Circle	No. of Holes & Pattern	"C" Mtg. Index Angle	"D" Mtg. Hole Diameter
818952	818952	5.504 (139.802)	7.250 (184.150)	8 Steer	60°	0.659 (16.739)
818953	818953	5.504 (139.802)	7.250 (184.150)	8 Steer	300°	0.659 (16.739)
818954	818954	5.504 (139.802)	7.250 (184.150)	7 Steer	300°	0.659 (16.739)
818955	818955	5.504 (139.802)	7.250 (184.150)	7 Steer	60°	0.659 (16.739)
818956	818956	5.504 (139.802)	7.250 (184.150)	7 Steer	300°	0.659 (16.739)
818957	818957	5.504 (139.802)	7.250 (184.150)	7 Steer	60°	0.659 (16.739)
818992	818992	5.755 (146.177)	7.250 (184.150)	7 Steer	57°	0.784 (19.914)
818993	818993	5.755 (146.177)	7.250 (184.150)	7 Steer	303°	0.784 (19.914)
819150	819150	5.504 (139.802)	7.250 (184.150)	7 Steer	68°	0.659 (16.739)
819151	819151	5.504 (139.802)	7.250 (184.150)	7 Steer	292°	0.659 (16.739)
598	819598	5.879 (149.327)	7.125 (180.975)	12 Equally Spc	18°	0.597 (15.164)
599	819599	5.879 (149.327)	7.125 (180.975)	12 Equally Spc	12°	0.597 (15.164)
819808	819808	5.755 (146.177)	7.250 (184.150)	7 Steer	300°	0.784 (19.914)
819809	819809	5.755 (146.177)	7.250 (184.150)	7 Steer	60°	0.784 (19.914)
819954	819954	5.755 (146.177)	7.250 (184.150)	8 Steer	45°	0.784 (19.914)
819955	819955	5.755 (146.177)	7.250 (184.150)	8 Steer	315°	0.784 (19.914)
819956	819956	5.755 (146.177)	7.250 (184.150)	7 Steer	45°	0.784 (19.914)
819957	819957	5.755 (146.177)	7.250 (184.150)	7 Steer	315°	0.784 (19.914)
584	973584	5.879 (149.327)	7.125 (180.975)	11 On 12	23°	0.597 (15.164)
585	973585	5.879 (149.327)	7.125 (180.975)	11 On 12	37°	0.597 (15.164)
596	973596	6.755 (171.577)	8.250 (209.550)	10 On 16	45°	0.659 (16.739)
597	973597	6.755 (171.577)	8.250 (209.550)	10 On 16	22.5°	0.659 (16.739)
973612	973612	5.504 (139.802)	7.250 (184.150)	7 Steer	57°	0.659 (16.739)
973613	973613	5.504 (139.802)	7.250 (184.150)	7 Steer	303°	0.659 (16.739)
973784	973784	5.504 (139.802)	7.250 (184.150)	8 Steer	69°	0.659 (16.739)
973785	973785	5.504 (139.802)	7.250 (184.150)	8 Steer	291°	0.659 (16.739)
973930	973930	5.755 (146.177)	7.250 (184.150)	7 Steer	54°	0.784 (19.914)
973931	973931	5.755 (146.177)	7.250 (184.150)	7 Steer	306°	0.784 (19.914)
974090	974090	5.755 (146.177)	7.250 (184.150)	8 Steer	46.5°	0.784 (19.914)
974091	974091	5.755 (146.177)	7.250 (184.150)	8 Steer	313.5°	0.784 (19.914)
974092	974092	5.755 (146.177)	7.250 (184.150)	7 Steer	46.5°	0.784 (19.914)
974093	974093	5.755 (146.177)	7.250 (184.150)	7 Steer	313.5°	0.784 (19.914)
094	974094	6.755 (171.577)	8.250 (209.550)	8 On 16	19.5°	0.659 (16.739)
095	974095	6.755 (171.577)	8.250 (209.550)	8 On 16	48°	0.659 (16.739)
096	974096	6.755 (171.577)	8.250 (209.550)	8 On 16	14.5°	0.659 (16.739)
097	974097	6.755 (171.577)	8.250 (209.550)	8 On 16	53°	0.659 (16.739)
098	974098	6.755 (171.577)	8.250 (209.550)	8 On 16	4.5°	0.659 (16.739)
099	974099	6.755 (171.577)	8.250 (209.550)	8 On 16	63°	0.659 (16.739)
100	974100	6.755 (171.577)	8.250 (209.550)	8 On 16	20°	0.659 (16.739)
101	974101	6.755 (171.577)	8.250 (209.550)	8 On 16	47.5°	0.659 (16.739)
102	974102	6.755 (171.577)	8.250 (209.550)	8 On 16	15°	0.659 (16.739)



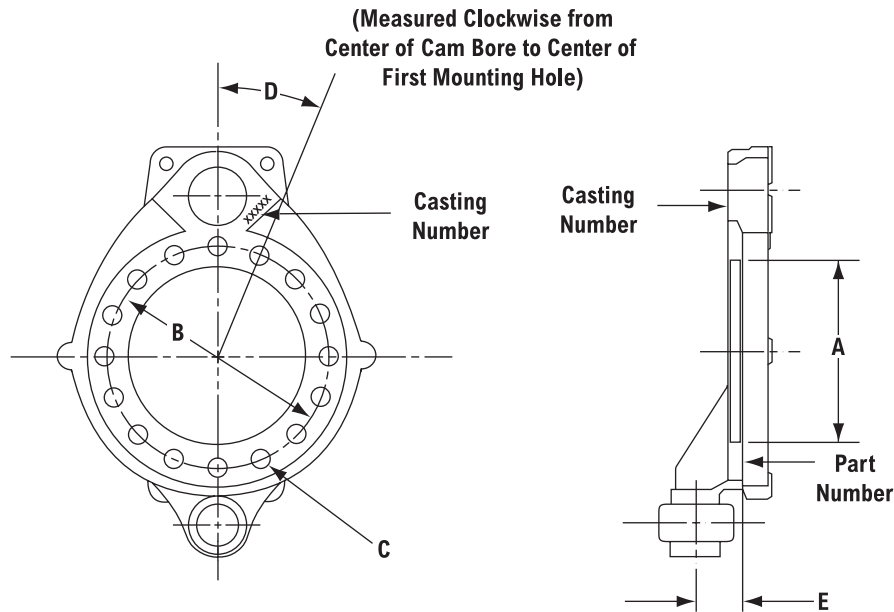
Stamped Spider and Pin Assembly 16.5" (pages 96–100)

For Models: EB-165 & ES-165

Part No. on Piece	Spider & Pin Assembly	"A" Pilot Diameter	"B" Bolt Circle	No. of Holes & Pattern	"C" Mtg. Index Angle	"D" Mtg. Hole Diameter
103	974103	6.755 (171.577)	8.250 (209.550)	8 On 16	52.5°	0.659 (16.739)
104	974104	6.755 (171.577)	8.250 (209.550)	8 On 16	12°	0.659 (16.739)
105	974105	6.755 (171.577)	8.250 (209.550)	8 On 16	55.5°	0.659 (16.739)
106	974106	6.755 (171.577)	8.250 (209.550)	8 On 16	12.5°	0.659 (16.739)
107	974107	6.755 (171.577)	8.250 (209.550)	8 On 16	55°	0.659 (16.739)
298	974298	6.755 (171.577)	8.250 (209.550)	8 Equally Spc	31°	0.659 (16.739)
299	974299	6.755 (171.577)	8.250 (209.550)	8 Equally Spc	14°	0.659 (16.739)
300	974300	6.755 (171.577)	8.250 (209.550)	8 Equally Spc	40.5°	0.659 (16.739)
301	974301	6.755 (171.577)	8.250 (209.550)	8 Equally Spc	4.5°	0.659 (16.739)
302	974302	6.755 (171.577)	8.250 (209.550)	8 Equally Spc	22.5°	0.659 (16.739)
303	974303	6.755 (171.577)	8.250 (209.550)	8 Equally Spc	22.5°	0.659 (16.739)
304	974304	6.755 (171.577)	8.250 (209.550)	8 Equally Spc	33.5°	0.659 (16.739)
305	974305	6.755 (171.577)	8.250 (209.550)	8 Equally Spc	11.5°	0.659 (16.739)
306	974306	6.755 (171.577)	8.250 (209.550)	8 Equally Spc	40.5°	0.659 (16.739)
307	974307	6.755 (171.577)	8.250 (209.550)	8 Equally Spc	4.5°	0.659 (16.739)
974400	974400	5.755 (146.177)	7.250 (184.150)	7 Steer	45°	0.784 (19.914)
974401	974401	5.755 (146.177)	7.250 (184.150)	7 Steer	315°	0.784 (19.914)
440	974440	6.755 (171.577)	8.125 (206.375)	10 Equally Spc	0°	0.659 (16.739)
974552	974552	5.755 (146.177)	7.250 (184.150)	7 Steer	62.5°	0.784 (19.914)
974553	974553	5.755 (146.177)	7.250 (184.150)	7 Steer	297.5°	0.784 (19.914)
974732	974732	5.755 (146.177)	7.250 (184.150)	7 Steer	67°	0.784 (19.914)
974733	974733	5.755 (146.177)	7.250 (184.150)	7 Steer	293°	0.784 (19.914)
974752	974752	5.504 (139.802)	7.250 (184.150)	7 Steer	315°	0.659 (16.739)
974753	974753	5.504 (139.802)	7.250 (184.150)	7 Steer	45°	0.659 (16.739)
974952	974952	5.504 (139.802)	7.250 (184.150)	7 Steer	60°	0.659 (16.739)
974953	974953	5.504 (139.802)	7.250 (184.150)	7 Steer	300°	0.659 (16.739)
975022	975022	5.504 (139.802)	7.250 (184.150)	7 Steer	57°	0.659 (16.739)
975023	975023	5.504 (139.802)	7.250 (184.150)	7 Steer	303°	0.659 (16.739)
242	975242	6.755 (171.577)	8.250 (209.550)	16 Equally Spc	20°	0.659 (16.739)
243	975243	6.755 (171.577)	8.250 (209.550)	16 Equally Spc	2.5°	0.659 (16.739)
340	975340	5.504 (139.802)	7.250 (184.150)	7 Steer	62°	0.659 (16.739)
341	975341	5.504 (139.802)	7.250 (184.150)	7 Steer	298°	0.659 (16.739)

Cast Spider and Pin Assembly 16.5" (pages 101–102)

For Models: EB-165, ES-165 & ES-150-4D



Part No.	Casting No.	"A" Pilot Dia. in (mm)	"B" Bolt Circle in (mm)	"C" Number/Size of Mtg. Holes in (mm)	"D" Mtg. Hole Index Angle	"E" Brake Offset in (mm)
68436	68400	5.750 (146.050)	7.750 (196.850)	16/.594 (15.088)	0°	1.31 (33.274)
74706	70540	5.880 (149.352)	7.125 (180.975)	16/.594 (15.088) 2/.563 (14.300) -12 UNC-3B	30°	.906 (23.012)
1001948	70540	5.880 (149.352)	7.125 (180.975)	11/.594 (15.088)	35°	.906 (23.012)
1001949	70540	5.880 (149.352)	7.125 (180.975)	11/.594 (15.088)	25°	.906 (23.012)
1006130	821735	6.000 (152.400)	7.250 (184.150)	8/.656 (16.662)	15°	1.31 (33.274)
1006131	821735	6.000 (152.400)	7.250 (184.150)	8/.656 (16.662)	11°	1.31 (33.274)
1008086	821763	6.310 (160.274)	8.375 (212.725)	8/.656 (16.662) 1/.750 (19.050)	8.5°	2.50 (63.500)
1008087	821763	6.310 (160.274)	8.375 (212.725)	8/.656 (16.662) 1/.750 (19.050)	18°	2.50 (63.500)
1001039	79900	6.750 (171.450)	8.125 (206.375)	9/.656 (16.662) 1/1 (25.400)	11°	1.750 (44.450)
1001040	79900	6.750 (171.450)	8.125 (206.375)	9/.656 (16.662) 1/1 (25.400)	18°	1.750 (44.450)
1000871	79900	6.750 (171.450)	8.125 (206.375)	10/.656 (16.662)	18°	1.750 (44.450)
1000872	79900	6.750 (171.450)	8.125 (206.375)	10/.656 (16.662)	18°	1.750 (44.450)
79935	79900	6.750 (171.450)	8.250 (209.550)	16/.656 (16.662)	0°	1.750 (44.450)
1001638	79900	6.750 (171.450)	8.250 (209.550)	8/.656 (16.662) 2/.750 (19.050)	32.5°	1.750 (44.450)
1001639	79900	6.750 (171.450)	8.250 (209.550)	8/.656 (16.662) 2/.750 (19.050)	12.5°	1.750 (44.450)
1001698	79900	6.750 (171.450)	8.125 (206.375)	9/.656 (16.67) 1/1 (25.400)	24°	1.750 (44.450)



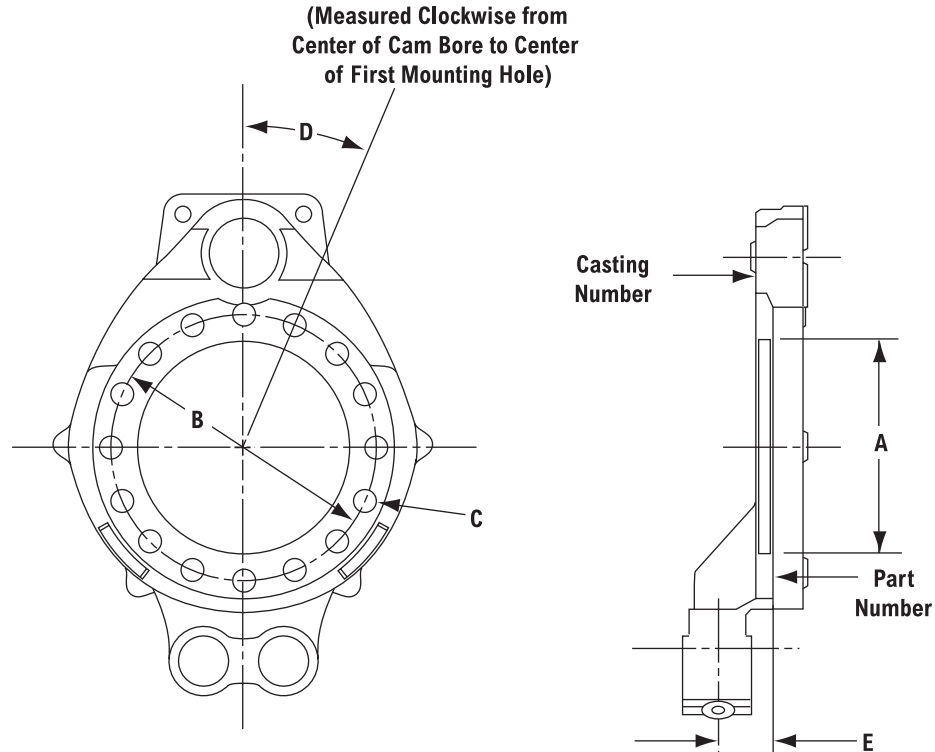
Cast Spider and Pin Assembly 16.5" (pages 101–102)

For Models: EB-165, ES-165 & ES-150-4D

Part No.	Casting No.	"A" Pilot Dia. in (mm)	"B" Bolt Circle in (mm)	"C" Number/Size of Mtg. Holes in (mm)	"D" Mtg. Hole Index Angle	"E" Brake Offset in (mm)
1001699	79900	6.750 (171.450)	8.125 (206.375)	9/1.656 (16.662) 1/1 (25.400)	12°	1.750 (44.450)
1006208	79900	6.750 (171.450)	8.250 (209.550)	11/1.656 (16.662)	13.5°	1.750 (44.450)
1006209	79900	6.750 (171.450)	8.250 (209.550)	11/1.656 (16.662)	13.5°	1.750 (44.450)
1006210	79900	6.750 (171.450)	8.250 (209.550)	11/1.656 (16.662)	22.5°	1.750 (44.450)
1006211	79900	6.750 (171.450)	8.250 (209.550)	11/1.656 (16.662)	22.5°	1.750 (44.450)
1008319	79900	6.750 (171.450)	8.250 (209.550)	14/1.656 (16.662)	0°	1.750 (44.450)
1001636	79900	6.750 (171.450)	8.250 (209.550)	8/1.656 (16.662)	25°	1.750 (44.450)
1001637	79900	6.750 (171.450)	8.250 (209.550)	8/1.656 (16.662)	25°	1.750 (44.450)
74704	74700	7.190 (182.626)	8.125 (206.375)	8/5.31 (13.487) 2/5.00 (13.000) -13 UNC-3B	18°	1.750 (44.450)
1000495	72100	7.190 (182.626)	8.125 (206.375)	10/5.31 (13.487)	15°	2.81 (71.374)
1000496	72100	7.190 (182.626)	8.125 (206.375)	10/5.31 (13.487)	20°	2.81 (71.374)
1000497	72100	7.190 (182.626)	8.125 (206.375)	10/5.31 (13.487) 2/1.750 (19.050)	3°	2.81 (71.374)
1000498	72100	7.190 (182.626)	8.125 (206.375)	10/5.31 (13.487) 2/1.750 (19.050)	35°	2.81 (71.374)
1000499	72100	7.190 (182.626)	8.125 (206.375)	10/5.31 (13.487) 2/1.750 (19.050)	25°	2.81 (71.374)
1000500	72100	7.190 (182.626)	8.125 (206.375)	10/5.31 (13.487) 2/1.750 (19.050)	10°	2.81 (71.374)
1003134	72100	7.190 (182.626)	8.125 (206.375)	15/1.656 (16.662)	34°	2.81 (71.374)
1003135	72100	7.190 (182.626)	8.125 (206.375)	15/1.656 (16.662)	1°	2.81 (71.374)
77045	74700	7.190 (182.626)	8.125 (206.375)	7/5.31 (13.487) 3/5.00 (13.000)	0°	1.750 (44.450)

Brake Spider and Dual Anchor Pin Assembly

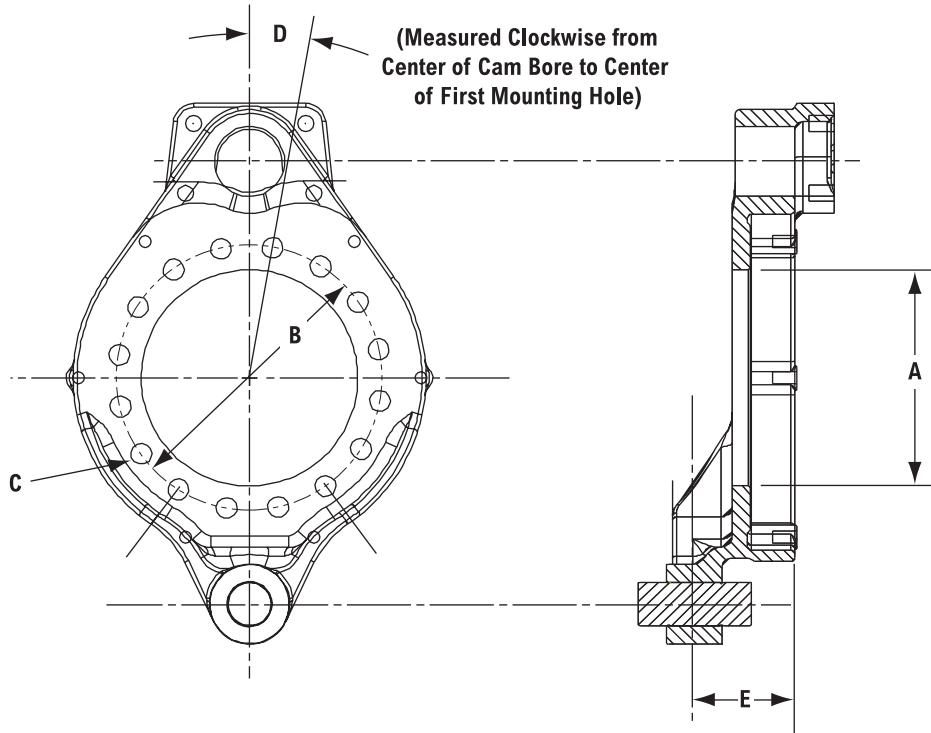
For Models: ES-165-7M & ES-165-7H



Part No.	Description	Vehicle Position	"A" Pilot Dia. in (mm)	"B" Bolt Circle in (mm)	Number of Holes & Pattern	"C" Hole Size in (mm)	"D" Index Angle
810175	Spider & Bshg Assy	LH/RH	6.754 (171.552)	8.250 (209.550)	16 Symmetrical	.656 (16.662)	0°
816708	Spider & Bshg Assy	LH	6.754 (171.552)	8.250 (209.550)	16	.659 (16.739)	6°
816709	Spider & Bshg Assy	RH			16		354°
817872	Spider & Bshg Assy	LH/RH	6.754 (171.552)	8.250 (209.550)	14 + 2 w/.812" ABS holes 90 & 270 deg from cam	.656 (16.662)	0°
819563	Spider & Bshg Assy	LH/RH	6.754 (171.552)	8.250 (209.550)	16 Symmetrical	.656 (16.662)	11.5°

Spider and Pin Assembly 18" – Standard Brakes (Cast Steel)

For Model: EB-180

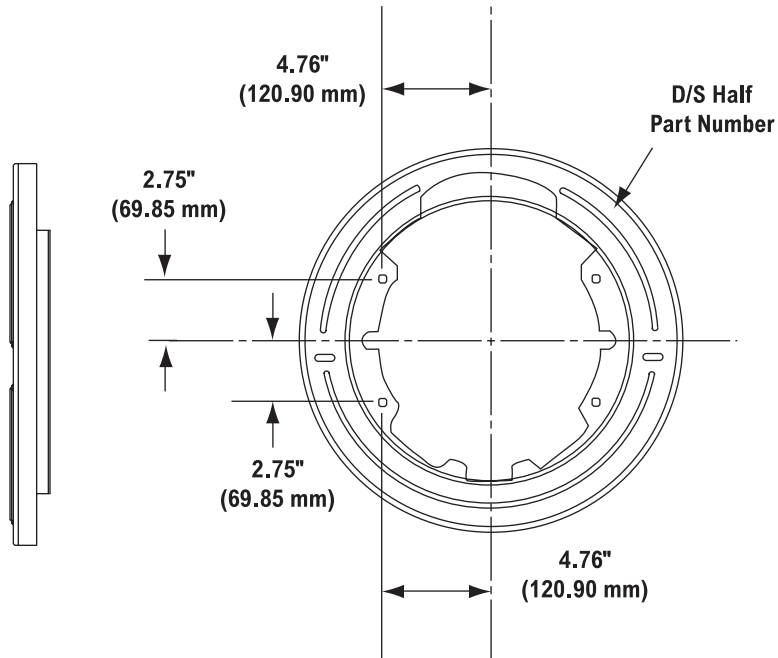


Part No.	Casting No.	"A" Pilot Dia. in (mm)	"B" Bolt Circle in (mm)	"C" Number/Size of Holes in (mm)	"D" Index Angle	"E" Brake Offset in (mm)
1001180	821711	6.31 (160.274)	8.375 (212.725)	10/.656 (16.662) 1/.750 (19.050)	36.5°	1.75 (44.450)
1001181	821711	6.31 (160.274)	8.375 (212.725)	10/.656 (16.662) 1/.750 (19.050)	8.5°	1.75 (44.450)
1005348	821711	6.75 (171.450)	8.250 (209.550)	16/.656 (16.662)	12.5°	1.75 (44.450)
1005349	821711	6.75 (171.450)	8.250 (209.550)	16/.656 (16.662)	10.0°	1.75 (44.450)
1005350	821711	6.75 (171.450)	8.250 (209.550)	16/.656 (16.662)	22.5°	1.75 (44.450)

Note: 1000254 replaced by 1001180.

Dustshields 15" – with Stamped Steel Spider

For Models: EB-150 & ES-150

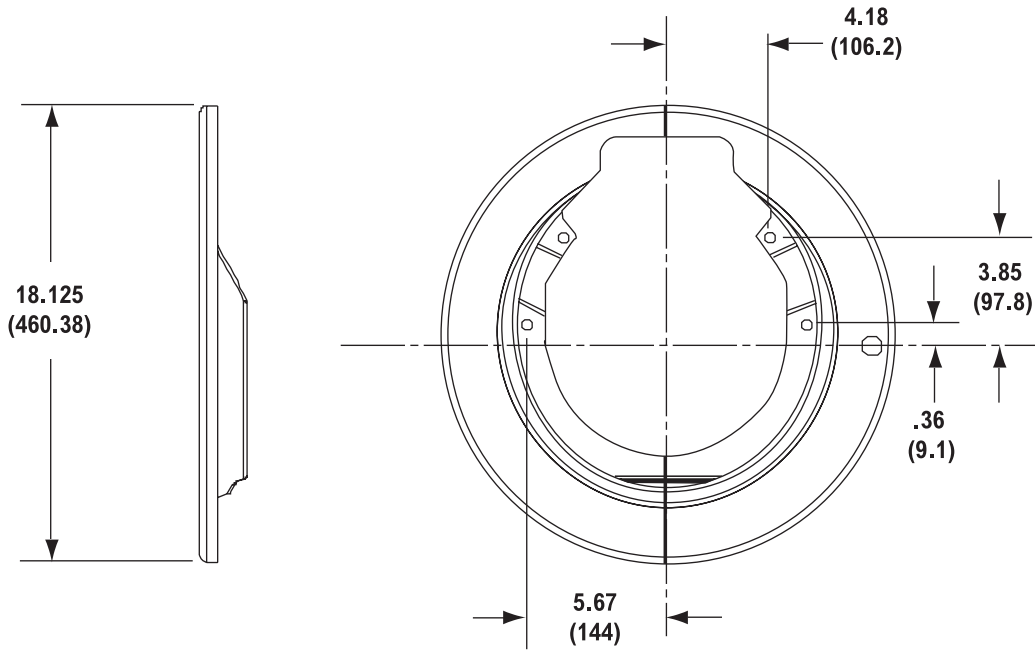


Part No.	Half Part No. (NSS)	Spider Offset in (mm)
816773 Kit-Includes Hardware	1008081 One-Piece Design	2.000 (50.800)
816772 Kit-Includes Hardware	1006870 1006871	1.500 (38.100)

Hardware: (4) 804703 Screws
(2) 804286 Plugs

Dustshields 16.5" – with Stamped Steel Spider

For Models: EB-165 & ES-165



These dust shields can be conveniently serviced with the following kits:

- 805143 Dustshield kit (1 piece breakaway, without inspection plugs).

Part No.	Qty.	Description
973953 NSS	1	Dustshield
804703	4	Screws-Dustshield
089899	(2)	Dustshield plug

805057 Dustshield kit replaced by 805143

805169 Dustshield kit replaced by 805143

NSS - Not Sold Separately.

Note: For 16.5" x 5" Brakes use kit 317671 with 1.75" offset.

For 16.5" x 6" Brakes use kit 317670 with 1.75" offset.

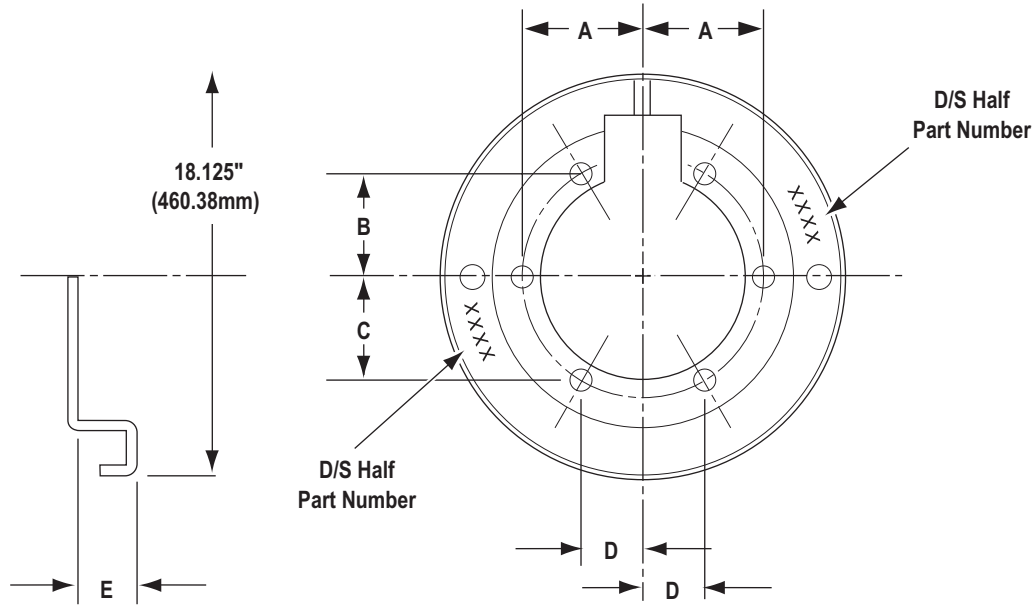
Note: For 16.5" x 8.6" Brakes use 973954 for lightweight spider number 325156.

For 16.5" x 8.6" Brakes use 973958 for cast spider number 314184 with 1.75" offset.

Note: Kit 805143 Includes: 973953, 804703 & 089899

Dustshields 16.5" (pages 107–108)

For Models: EB-165 & ES-165



Part No.	Half Part No. (NSS)	"A" Dim. in (mm)	"B" Dim. in (mm)	"C" Dim. in (mm)	"D" Dim. in (mm)	"E" Dim. in (mm)	Spider Casting No.	Spider Offset in (mm)
16.5" x 5" Brake Assembly								
1000016	1000032	—	4.25 (107.950)	4.969 (126.213)	2.00 (50.800)	1.66 (42.164)	1000029	1.313 (33.350)
	1000033	—					821735	
*816774	1001462	8.175 (207.645)	4.25 (107.950)	4.969 (126.213)	2.00 (50.800)	1.66 (42.164)	821717	1.750 (44.450)
	1001463						1000685	
16.5" x 6" Brake Assembly								
1002455	1001702	5.344 (135.738)	4.25 (107.950)	4.969 (126.213)	2.00 (50.800)	1.50 (38.100)	1001029	1.313 (33.350)
	1001792							
1002456	1001703	5.344 (135.738)	4.25 (107.950)	4.969 (126.213)	2.00 (50.800)	1.50 (38.100)	79900	1.750 (44.450)
	1001791							
16.5" x 7" Brake Assembly								
77040	52975	5.00 (127.000)	3.969 (100.813)	4.656 (118.262)	1.813 (46.050)	1.66 (42.164)	89200	.625 (15.875)
	52976						89300	1.250 (31.750)
							68400	1.313 (33.350)
77027	45528	5.00 (127.000)	3.969 (100.813)	4.656 (118.262)	1.813 (46.050)	.688 (17.475)	72100	2.813 (71.450)
	45529							
77028	40391	5.00 (127.000)	3.969 (100.813)	4.656 (118.262)	1.813 (46.050)	1.22 (30.998)	74700	1.750 (44.450)
	40392						43022	2.593 (65.862)
1000434	1000470	5.00 (127.000)	3.969 (100.813)	4.656 (118.262)	1.813 (46.050)	1.66 (42.164)	70540	.906 (23.012)
	1000471							

*Kit includes hardware: (4) 804703 screws (LW).

NSS - Not Sold Separately.



Dustshields 16.5" (pages 107–108)

For Models: EB-165 & ES-165

Part No.	Half Part No. (NSS)	"A" Dim. in (mm)	"B" Dim. in (mm)	"C" Dim. in (mm)	"D" Dim. in (mm)	"E" Dim. in (mm)	Spider Casting No.	Spider Offset in (mm)
16.5" x 7" Brake Assembly - Cont'd								
809713	809725	5.344 (135.738)	4.25 (107.950)	4.969 (126.213)	2.00 (50.800)	1.22 (30.998)	79900	1.750 (44.450)
	809731						821763	2.500 (63.500)
*816777	809726	5.344 (135.738)	4.25 (107.950)	4.969 (126.213)	2.00 (50.800)	1.22 (30.998)	79900	1.750 (44.450)
	809732							
1002456	1001703	5.344 (135.738)	4.25 (107.950)	4.969 (126.213)	2.00 (50.800)	1.50 (38.100)	1001029	1.313 (33.350)
	1001791						1002589	
1002455	1001702	5.344 (135.738)	4.25 (107.950)	4.969 (126.213)	2.00 (50.800)	1.50 (38.100)	1001029	1.313 (33.350)
	1001792							

*Kit includes hardware: (4) 804703 screws (LW).

NSS - Not Sold Separately.

*For more information, talk to your Bendix or Roadranger
representative, call 1-866-610-9709 or visit
www.foundationbrakes.com.*



Bendix Spicer
Foundation Brake LLC
A Bendix Commercial Vehicle Systems
and Dana Corporation Joint Venture

Roadranger
The Roadranger® System features
Bendix® brand foundation brakes.